

CATÁLOGO MASTER 2022



Bujes y Soportes
de Alta Ingeniería



INNOVACIÓN PARA EL CAMINO



Bujes y Soportes
de Alta Ingeniería

Somos una empresa pionera e innovadora, con **más de 30 años** de experiencia en la fabricación de **Bujes y Soportes de Alta Ingeniería** que han acompañado a nuestros clientes por largos caminos, soportando: **Exceso de carga, terrenos difíciles y verdaderos retos en el camino.**

Ayudamos a nuestros clientes a **disminuir los tiempos muertos en mantenimiento**, con la firme convicción de ofrecerles siempre: **Innovación para el camino.**

ÍNDICE POR MARCA



• Arvin Meritor	57	• Mercedes Benz Truck	172
• Busscar	61	• Neoplan Bus	173
• Chalmers	61	• New Flyer Bus	174
• Chevrolet	62	• Neway	174
• Cummins	63	• Nissan	178
• Dina Bus	64	• Perkins	181
• Dina Truck	65	• Peterbilt	182
• EBCO	66	• Peugeot	188
• Famsa	67	• Premier	189
• Fontaine	67	• Ramirez	189
• Ford	68	• Renault Bus	190
• Freightliner	69	• Reyco	191
• Fruehauf	80	• Ridewell	195
• GAFF	83	• Saf - Holland	196
• Hendrickson	100	• Scania Bus	198
• Hutchens	120	• Spicer	203
• Hyundai	122	• Thermo King	205
• International Bus	122	• Toyota	206
• International Truck	123	• Trailmobile	206
• Isuzu	131	• Vilchis	207
• Kenworth	132	• Volkswagen Bus	207
• Mack	150	• Volvo Bus	209
• Man Bus	157	• Volvo Truck	216
• MCI Bus	159	• Watson & Chalin	221
• McNeilus	160	• Western Star	222
• Mercedes Benz (Bus)	161	• Western Star Bus	222

Índice por Producto



Código GAFF	Página
10000	219
10001	349
10002	121
10004	215
10005	119
10018	119
10019	119
10020	130, 217
10023	217
10024	216
10026	216
10028	220
10035	120
10074	311
10075	217, 368
10079	121
10080	349
10082	121
10502	217
10503	218
10504	218
10505	218
10506	216
10507	121
11000	133
11003	133
11004	133
11005	133, 220
11006	133
11007	124
11008	124
11009	125
11016	130
11018	130
11019	127
11020	127
11021	137
11054	130
11060	133
11063	134
11064	134
11065	130
11066	134
11070	129
11072	130
11073	131
11074	131
11075	125
11077	131
11078	134
11080	248, 315
11081	134

Código GAFF	Página
11083	134
11085	131
11086	125
11087	131
11088	131
11089	131
11090	131
11092	125
11093	125
11094	134
11095	132
11096	127
11097	127
11098	127
11099	127
11100	128
11101	128
11102	128
11103	128
11104	128
11105	128
11106	128
11107	128
11108	125
11109	313
11110	125
11111	125
11112	132
11113	132
11114	126
11115	138
11116	132
11117	137
11118	138
11120	129
11121	134
11122	126
11123	135
11124	129
11125	138
11126	135
11127	126
11128	126
11129	137
11130	135
11131	126
11132	126
11133	135
11134	243
11137	132
11138	126
11140	129

Código GAFF	Página
11142	135
11144	138
11145	129
11148	138
11149	132
11152	273
11156	273
11158	173
11159	135
11162	135
11163	135
11164	136
11165	136
11166	136
11172	126
11173	127
11176	129
11177	129
11178	127
11179	132
11500	248
11501	248
11502	248
11507	248
11509	248
11511	248
11512	248
11515	349
11517	349
11519	168
11520	241
11522	138, 254, 318, 381
11523	254
11525	241
11527	241, 313
11529	241
11530	242
11531	254
11533	242, 381
11535	245
11536	380
11537	245
11538	246
11539	246
11540	246
11541	246
11542	255
11543	243
11544	243, 271
11545	243
11547	243
11548	254

Índice por Producto



Código GAFF	Página
11549	254
11550	249
11551	242
11552	242
11554	255, 318
11557	244
11558	361
11561	173
11566	242
11604	241, 247
11611	255
11612	242
11613	246
11614	246
11615	246
11705	242, 381
11707	242, 313
11709	244
11711	380
11714	173, 220
11719	249
11720	249
11724	350
11725	132
11726	256
11727	350
11729	249
11733	249
11734	249
11739	115
11740	115
11742	243
11743	249
11747	173
11751	249, 315
11753	250
11754	250, 316
11757	250
11758	250
11759	250
11760	246
11761	247
11762	247
11763	250
11764	250, 316
11765	250, 316
11767	251
11768	244
11770	251, 316
11771	256
11772	357
11773	251, 316

Código GAFF	Página
11774	251
11775	251
11778	251
11784	244
11792	251, 316
11793	251
11795	252
11797	252, 316
11799	252
11800	173
11804	255, 318
11805	244
11809	245
11810	245
11811	245
11812	245
11818	247
11819	256
11820	252
11821	247
11822	271
11831	255
11832	244
11834	252
11837	247
11845	255
11846	252
11848	244
12000	272
12002	272
12004	271
12006	273
12009	273
12010	273
12014	274
12015	274
12023	272
12026	277
12028	274
12031	274
12032	271
12034	272
12035	272
12036	274
12039	274
12041	274
12042	274, 368
12043	275
12044	275, 369
12045	272
12046	273
12047	273

Código GAFF	Página
12049	255, 277
12051	275
12053	275
12069	275
12070	275
12071	275
12072	275
12075	276
12076	276
12077	276
12078	276
12084	271
12088	272
12301	368
12304	368
12305	368
12316	263
12320	263
12323	124
12326	368
12333	369
12336	363
12338	363
12340	367
12343	365
12344	367
12345	363
12348	369
12350	316
12351	317
12354	317
12355	315
12356	315
12357	130, 245, 272, 315, 368
12359	314
12360	313
12361	317
12362	317
12363	314
12364	314
12365	129, 244, 314
12366	318
12367	314
12368	315
12369	315
12370	314
12372	273
12375	317
12379	174
12380	359
12395	317
12398	317

Índice por Producto



Código GAFF	Página
12408	277
12409	314
12410	314
12504	333
12507	333
13000	156
13001	156
13003	156
13004	156
13005	156
13007	156
13009	156
13011	156
13015	157
13037	157
13041	157
13042	157
13043	157
13044	157
13047	157
13048	157
13049	158
13500	174
13501	174
13502	174
13504	174
13505	174
13506	174
13507	174
13508	175
13509	175
13510	175
13511	175
13512	175
13513	175
13514	175
13515	175
13516	176
13517	176
13518	176, 220, 252, 317
13519	121
13520	176, 220, 252, 276, 318
13521	136, 176, 220, 253, 318
13522	136, 318, 369
13523	176
13524	176
13526	176
13527	177
13528	177
13531	177
13534	177
13536	177

Código GAFF	Página
13538	177
13541	177
13542	177
13543	178
13544	178
13545	178
13546	178
13547	178
13548	178
13550	178
13553	178
13558	179
13560	179
13565	179
13566	179
13568	179
13574	179
13580	179
13581	169
13582	179
13587	169, 180
13590	136, 276, 369
13592	180
13594	180
13597	180
13598	180
13599	106
13600	180
13601	180
13604	180
13607	181
13609	181
13610	181
13611	181
13617	106
13618	181
13625	181
13626	181
13627	181
13628	182
13629	182
13634	221
13648	106
13649	182
13650	182
13652	182
13666	182
13667	182
13668	182
13671	183
13672	183
13673	183

Código GAFF	Página
13680	221
13681	183
13682	183
13683	183
13691	183
13695	183
13721	183
13722	184
13725	136
13733	369
13736	184
13743	184
13744	184
13745	184
13748	184
13750	184
13752	106
13762	106
13765	171
13771	106
13772	106
13774	106
13791	185
13798	185
13799	185
13807	185
13810	185
13812	185
13814	185
13816	185
13817	186
14000	107, 158, 206
14002	206, 334
14003	158, 360
14004	360
14007	253
14008	206
14010	186, 334
14012	369
14013	206
14014	253
14015	253
14026	206
14027	206
14029	206
14030	171
14031	206
14038	207
14071	361
14073	207
14078	207
14087	207

Índice por Producto



Código GAFF	Página
14089	107, 207
14091	186
14500	294
14501	294
14505	294
14509	295
14510	295
14513	295
14514	221, 295
14521	295
14522	295
14523	295
14524	295
14527	296
14528	221, 296
14530	296
14532	296
14533	296
14536	296, 351
14537	296
14538	296
14540	297
15000	335
15001	335
15005	335
15006	335
15008	335
15009	335
15010	253
15011	171
15013	335, 369
15016	335
15017	336
15019	336
15020	336
15051	336
15060	336
15063	336
15064	336
15073	336
15075	337
15076	337
16035	117
16039	117
16040	117
16044	117
17001	311
17002	311
17003	311
17004	312
17005	312
17006	312

Código GAFF	Página
17035	312
17044	312
17046	312
17047	311
17284	245
17294	124
17500	105
17501	105
17503	105
17504	105
17505	105
17506	169
17507	170
17508	313
17509	118
17510	118
17516	168
17534	168
17538	105
17541	313
17668	105
17674	168
17675	169
17676	169
17678	105
18000	357, 361
18002	358
18004	171
18005	170
18009	170
18010	370
18011	171
18013	359
18015	359
18044	133, 247
18047	138, 255
18048	171
18063	223
18067	362
18084	293
18094	350
18100	253
18102	247
18113	215
18215	350
18221	350
18248	169
18252	169
18253	169
18254	169
18256	214
18290	168

Código GAFF	Página
18320	168
18342	117
18434	186
18435	293
18455	170
18483	293
18533	293
18550	170
18558	172
18574	333
18575	333
18598	221
18599	370
18600	136
18601	253
18602	253
18688	168
18690	107, 337
18700	172
18701	107, 337
18725	358
18726	358
18760	288
18772	172
18776	361
18786	114
18821	186
18830	312
18847	117
18848	170
18859	186
18860	370
18882	288
18909	186
18919	115
18920	115
18921	115
18938	243
18939	107
18945	172
18949	243
18961	288
18962	288
18978	172
18994	137
20424	287
30504	119
30505	120
30507	254, 318
30510	118
30511	118
30516	118, 287, 363

Índice por Producto



Código GAFF	Página
30517	363
30518	363
30522	288
30539	120
30544	221
30545	381
30559	120
31000	114, 364
31001	364
31002	364
31006	361
31008	362
31016	364
31017	120
31031	362
31051	364
31053	361
31057	364
31081	130
31082	370
31083	133
31087	355, 364
31092	288, 364
31093	370
31103	367
31108	367
31109	367
31110	367
31111	137
31113	368
31125	367
31129	370
31134	370
31135	370
31136	289, 365
31137	107, 276, 371
31138	276
31141	367
31508	289
31512	289
31515	292
31521	287
31524	362
31528	289
31529	287
31532	292
31545	287
31552	292
31561	292
31565	289
31566	289
31567	289

Código GAFF	Página
31580	289
31588	290
31592	297
31594	365
31596	290
31600	288
31601	290
31602	290
31603	290
31608	290
31611	290
31615	290
31624	293
31627	291
31633	291
31640	288
31641	291
31652	291, 355
31655	291, 355
31658	291
31675	293
31679	291
31680	291
32005	355, 365
32007	286, 355, 365
32008	365
32009	365
32020	355
32028	355
32031	355, 371
32033	356
32037	356
32044	356
32047	356
32053	356
32056	286
32058	292, 294, 356
32066	356
32075	315
32079	356
32083	357
32086	357
32087	357
32088	371
32502	357
34500	218
34507	218
34508	218
34509	218
34510	218
34511	221
34514	107

Código GAFF	Página
34515	215
34516	215
34521	221
34522	219
34524	219
34525	219
34526	219
34528	216
34529	219
34530	216
34532	216
34534	222
34536	215
34545	223
34547	172
34548	216
34549	217
34550	222
34552	216
34554	222
34562	222
34563	222
34569	219
34571	170
34574	168
34581	217
34583	217
34585	222
34586	222
34589	217
34591	222
34592	223
34593	219
35002	289
35003	286
35010	286
35012	286
35013	286
35014	286
40035	350
40056	350
40064	117
40074	358
40075	358
40095	170
40127	337
40137	360
40139	358
40140	350
40141	121
40197	358
40201	334

Código GAFF	Página
40202	334
40207	334
40209	358
40236	117
40263	137
40264	137
40268	171
40281	171
40288	362
50031	107
50032	108
50033	108
50046	351
50047	351
50053	359
50054	359
50055	359
50056	359
50077	173
60011	214
60015	214
60016	214
83520	254
83522	254
83596	187
90030	187
90031	187

Advance Mixer

Marca
Advance Mixer
Advance Mixer

Referencia
21921
12406

Código
13601
13649

Arvin Meritor

Marca
Arvin Meritor
Arvin Meritor
Arvin Meritor
Arvin Meritor
Arvin Meritor
Arvin Meritor
Arvin Meritor
Arvin Meritor
Arvin Meritor
Arvin Meritor
Arvin Meritor
Arvin Meritor
Arvin Meritor
Arvin Meritor
Arvin Meritor
Arvin Meritor
Arvin Meritor
Arvin Meritor
Arvin Meritor
Arvin Meritor
Arvin Meritor
Arvin Meritor
Arvin Meritor
Arvin Meritor
Arvin Meritor
Arvin Meritor
Arvin Meritor
Arvin Meritor
Arvin Meritor
Arvin Meritor
Arvin Meritor
Arvin Meritor
Arvin Meritor
Arvin Meritor
Arvin Meritor
Arvin Meritor
Arvin Meritor
Arvin Meritor
Arvin Meritor

Referencia
R301160 / R307523
R301329A
R301332 / R307486
R302226 / R307639
R302226 / R307639
R302553
R302555
R302814 / R309517
R303411
R303868
R305216 / R305217 / R307455
R305270 / R309566
R306980
R307457
R307468
R307484
R307503
R307640
R30927 / R307433
R309323
R309325 / R309326
R309416
R309419
R309420
2101301X
A1225-G-1437
"A2297T72A / A2297Y1169B / E9324 / R309324 / R309324"
CB210121-1X / CB2108811X / E2101211XX
E10057
E10303
E4410A
E4410A

Código
15073
14540
14012
11158
13520
13544
13547
13517
13515
13528
14027
13511
13543
18256
11761
10020
12367
11549
13044
11512
13531
13625
13560
13609
40139
13648
11509
40075
15020
11729
14528
14533

Marca
Arvin Meritor
Arvin Meritor
Arvin Meritor
Arvin Meritor
Arvin Meritor
Arvin Meritor
Arvin Meritor
Arvin Meritor
Arvin Meritor
Arvin Meritor
Arvin Meritor
Arvin Meritor
Arvin Meritor
Arvin Meritor
Arvin Meritor
Arvin Meritor
Arvin Meritor
Arvin Meritor
Arvin Meritor
Arvin Meritor
Arvin Meritor
Arvin Meritor
Arvin Meritor
Arvin Meritor
Arvin Meritor
Arvin Meritor
Arvin Meritor
Arvin Meritor
Arvin Meritor
Arvin Meritor
Arvin Meritor
Arvin Meritor
Arvin Meritor
Arvin Meritor
Arvin Meritor
Arvin Meritor
Arvin Meritor
Arvin Meritor
Arvin Meritor
Arvin Meritor

Referencia
E9391
KIT11126/A-1225-L-1416
M-571 / M571 / M-602 / M602
MEGCB2106611
R301018
R301020 / R307432
R301020 / R307432
R301020 / R307432
R301020 / R307433
R3010302
R301159
R301332 / R307486
R301339 / R306979 / R309359
R301340 / R309511
R301341A / R302271
R301341A / R302271
R301341A / R302271
R30134A / R302271
R301940 / R309515
R301964
R301980 / R307520
R301982 / R307522
R301982 / R307522
R302225 / R307638
R302226 / R307639
R302228 / R308651
R302238
R302374
R302374
R302554
R302815 / R309518
R302917 / R307481
R302919 / R308667
R302920 / R307480
R303275A / R307479
R303540A
R303540A
R303540A
R303579 / R308663
R303582 / R308664
R303771

Código
13524
34514
17501
40197
13015
13003
13007
13005
13004
11720
40127
14521
13505
13501
13506
13553
13798
13507
13592
15009
14031
15010
15051
13522
83520
13518
13514
14010
14091
13545
12031
12006
12010
12014
12015
11000
11064
40064
13009
13037
90030

Referencia Cruzada



Marca	Referencia	Código
<i>Arvin Meritor</i>	R303771	90031
<i>Arvin Meritor</i>	R303784	13513
<i>Arvin Meritor</i>	R304253	14523
<i>Arvin Meritor</i>	R304253 / R308681	14527
<i>Arvin Meritor</i>	R304382A	14513
<i>Arvin Meritor</i>	R304669 / R307446A	11502
<i>Arvin Meritor</i>	R304669 / R307446A	11719
<i>Arvin Meritor</i>	R304776	12351
<i>Arvin Meritor</i>	R305269 / R309401	13526
<i>Arvin Meritor</i>	R305270 / R309566	13512
<i>Arvin Meritor</i>	R30640	14004
<i>Arvin Meritor</i>	R307426 / R307766	11739
<i>Arvin Meritor</i>	R307431	11725
<i>Arvin Meritor</i>	R307433 / R30927	13001
<i>Arvin Meritor</i>	R307433 / R30927	14003
<i>Arvin Meritor</i>	R307445	10002
<i>Arvin Meritor</i>	R307451	11515
<i>Arvin Meritor</i>	R307453 / R30934	14073
<i>Arvin Meritor</i>	R307466	11557
<i>Arvin Meritor</i>	R307467	11545
<i>Arvin Meritor</i>	R307468	11537
<i>Arvin Meritor</i>	R307468	11538
<i>Arvin Meritor</i>	R307468	11539
<i>Arvin Meritor</i>	R307468	11837
<i>Arvin Meritor</i>	R307469	11613
<i>Arvin Meritor</i>	R307470	11535
<i>Arvin Meritor</i>	R307472	11520
<i>Arvin Meritor</i>	R307472	11523
<i>Arvin Meritor</i>	R307474	11550
<i>Arvin Meritor</i>	R307477	12000
<i>Arvin Meritor</i>	R307477	18102
<i>Arvin Meritor</i>	R307483	10026
<i>Arvin Meritor</i>	R307483	34536
<i>Arvin Meritor</i>	R307484	10018
<i>Arvin Meritor</i>	R307492	11501
<i>Arvin Meritor</i>	R307506	12355
<i>Arvin Meritor</i>	R307507	12356
<i>Arvin Meritor</i>	R307516	18575
<i>Arvin Meritor</i>	R307517	18574
<i>Arvin Meritor</i>	R307644	18063
<i>Arvin Meritor</i>	R308654	15001

Marca
Arvin Meritor
Arvin Meritor
Arvin Meritor
Arvin Meritor
Arvin Meritor
Arvin Meritor
Arvin Meritor
Arvin Meritor
Arvin Meritor
Arvin Meritor
Arvin Meritor
Arvin Meritor
Arvin Meritor
Arvin Meritor

Referencia
R308804
R308804
R308821
R308918
R308918
R30927 / R307433
R309292
R309292
R309307
R309325 / R309326
R309325 / R309326
R309325 / R309326
R309412

Código
11005
11083
31137
10075
34510
13049
10000
14514
14089
13580
13607
13748
13601

Atro

Marca
Atro
Atro
Atro
Atro
Atro
Atro
Atro
Atro
Atro
Atro
Atro
Atro
Atro
Atro
Atro
Atro
Atro
Atro
Atro
Atro
Atro
Atro
Atro

Referencia
CM55-61454
EQ47-35900 / PL1085
AK34100
AK38200
AK38200
AK45100
AK5010
AS57-27267
AW57-10000
CB27500
CB34011
CB38011
CB38012
CB50000
CM46-61001
CM46-61001 / CM46-61890 / CM46-61891
CM46-61001 / CM46-61890 / CM46-61891
CM46-61384
CM46-61384
CM46-61769
CM46-61769
CM55-614C4
CM55-615C2
CM75-61257

Código
34516
13005
13502
13507
13609
13610
13547
14536
14505
13526
13500
13543
13505
13544
11086
11008
11009
11092
11110
11075
11131
34528
34515
12360

Marca
Atro
Atro
Atro
Atro
Atro
Atro
Atro
Atro
Atro
Atro
Atro
Atro
Atro
Atro
Atro
Atro
Atro
Atro
Atro
Atro
Atro
Atro
Atro
Atro
Atro
Atro
Atro
Atro
Atro
Atro
Atro
Atro
Atro
Atro
Atro
Atro
Atro
Atro
Atro

Referencia
PB57-21149
PB57-21149
PB57-26279
PB83-22723
PB85-360B0
PB99-36201
PB99-36205
PB99-36522
PB99-36537
PL1002
PL1002
PL-1002
PL1003
PL1003
PL1004
PL1005
PL1006
PL1007
PL1008
PL1008
PL1008
PL1008
PL1008 / PL1184
PL1010
PL1010
PL1011
PL1012
PL1012
PL1012
PL1013
PL1014
PL1015
PL1015
PL1016
PL1017
PL1017
PL1018
PL1020
PL1021
PL1026
PL1028
PL1032

Código
14528
14533
14538
15009
11711
13762
13771
13752
13617
40137
40141
10002
11085
11725
13009
13037
11517
14087
11500
11511
11719
11502
11557
11709
11545
11538
11539
11614
11613
11535
11520
11523
11533
12000
18102
12356
18575
18574
18010
11550
11724

Marca	Referencia	Código
Atro	PL1037	11515
Atro	PL1038	11501
Atro	PL1046 / TH19-22010	11739
Atro	PL1048	10075
Atro	PL1051	11020
Atro	PL1054	11000
Atro	PL1054	11064
Atro	PL1054	40064
Atro	PL1055	10023
Atro	PL1055	10503
Atro	PL1061	18256
Atro	PL1062	11805
Atro	PL1063	11531
Atro	PL1063	11537
Atro	PL1063	11612
Atro	PL1065	11549
Atro	PL1070	11527
Atro	PL1070	12355
Atro	PL1074	12367
Atro	PL1075	12350
Atro	PL1076	12351
Atro	PL1076	17035
Atro	PL1079	18558
Atro	PL1084	13001
Atro	PL1084	13044
Atro	PL1084	13049
Atro	PL1084	14003
Atro	PL1085	13004
Atro	PL1091	12023
Atro	PL1104	10505
Atro	PL1105	11707
Atro	PL1107	11134
Atro	PL1107	11544
Atro	PL1107	11554
Atro	PL1110	10020
Atro	PL1112	18786
Atro	PL1113	10026
Atro	PL1113	34536
Atro	PL1114	18063
Atro	PL1115	15010
Atro	PL1115	15051

Marca	Referencia	Código
Atro	PL1116	15008
Atro	PL1116	15073
Atro	PL1118	15013
Atro	PL1118 / UB30000	14031
Atro	PL1119	14007
Atro	PL1119	14008
Atro	PL1119	14073
Atro	PL1125	14540
Atro	PL1126	12366
Atro	PL1130	10080
Atro	PL1131	12046
Atro	PL1131	12047
Atro	PL1133	11019
Atro	PL1136	11705
Atro	PL1139	30507
Atro	PL1139	30545
Atro	PL1144	10001
Atro	PL1146 / TS50-22691	11004
Atro	PL1146 / TS50-22691	13521
Atro	PL1146 / TS50-22691	13799
Atro	PL1147	11720
Atro	PL1148	15001
Atro	PL1149	15000
Atro	PL1154	14510
Atro	PL1155	14523
Atro	PL1155	14527
Atro	PL1170	11172
Atro	PL1189	12354
Atro	PT50-59307	13581
Atro	RM46-63359	11117
Atro	RM46-63359	11144
Atro	RM46-63471	11129
Atro	RM75-63861	12408
Atro	RW53000	11512
Atro	RW55000	11509
Atro	SK27771	12042
Atro	SK50340-HW	12039
Atro	SK50380-HW	12036
Atro	SK62-10700	12043
Atro	SK80340	13504
Atro	SK80380	13508

Marca
<i>Atro</i>
<i>Atro</i>
<i>Atro</i>
<i>Atro</i>
<i>Atro</i>
<i>Atro</i>
<i>Atro</i>
<i>Atro</i>
<i>Atro</i>
<i>Atro</i>
<i>Atro</i>
<i>Atro</i>
<i>Atro</i>
<i>Atro</i>
<i>Atro</i>
<i>Atro</i>
<i>Atro</i>
<i>Atro</i>
<i>Atro</i>
<i>Atro</i>
<i>Atro</i>
<i>Atro</i>
<i>Atro</i>
<i>Atro</i>
<i>Atro</i>
<i>Atro</i>
<i>Atro</i>
<i>Atro</i>
<i>Atro</i>
<i>Atro</i>
<i>Atro</i>
<i>Atro</i>
<i>Atro</i>
<i>Atro</i>
<i>Atro</i>
<i>Atro</i>
<i>Atro</i>
<i>Atro</i>
<i>Atro</i>
<i>Atro</i>
<i>Atro</i>
<i>Atro</i>
<i>Atro</i>
<i>Atro</i>

Referencia
SK80380
SK80380
SK80380
SK80380
SK80382
SK83-31000
SP00-11005
SP00-11005
SP00-11005
SP46-11023
SP46-11473
SP46-52800
SP46-52800
SP55-52600
SP55-526000
SP59-11006
SP59-11007
SP59-11378
SU50-29383
SU99-39114
SW59-29461
SW59-29461
TH19-22128
TH19-22129
TH47-37900
TH50000
TH50-22692
TH50-22692
TH50-22692
TH57-22264
TH83-22089
TH83-22302
TH83-37238
TH99-37102
TM38000
TR00-41009
TR00-41600
TR35105
TR35110
TR35205
TR46-41000

Código
13509
13568
13574
13587
13810
15075
11767
11775
11846
11094
11142
11066
11063
31017
34511
11753
11763
11758
13627
50032
11733
11734
18919
18920
13042
13516
13791
14010
14091
14537
15064
15063
15020
50033
12031
11792
11795
13691
13695
13683
11152

Marca	Referencia	Código
Atro	TR46-41002	11081
Atro	TR50-41615	13733
Atro	TR50-42635	12379
Atro	TR55-418C1	34562
Atro	TR55-418C1	34563
Atro	TR59-41008	11793
Atro	TR59-41375	11751
Atro	TR59-41376	11080
Atro	TR59-41474	11773
Atro	TR6000	13682
Atro	TR60000	13590
Atro	TR62-41180	12072
Atro	TR62-41220	13634
Atro	TR62-41243	12071
Atro	TR62-413M2	12069
Atro	TR62-413M2	12070
Atro	TR70005	13681
Atro	TR75-41059	34554
Atro	TR75-41108	12398
Atro	TR75-41327	12395
Atro	TR96-41068	18860
Atro	TR99-41428	11800
Atro	TRB5927 / TRK5927	13772
Atro	TRB6008 / TRB6008UB	15019
Atro	TS03-85002	32031
Atro	TS03-85013	31601
Atro	TS03-85019	31602
Atro	TS34000	83522
Atro	TS34000 / TS34095	13522
Atro	TS38000	11158
Atro	TS38000 / TS38000A / TS38095	13520
Atro	TS38000 / TS38000A / TS38095	83520
Atro	TS38750	13528
Atro	TS45000	18830
Atro	TS49000	13517
Atro	TS50-22210	13672
Atro	TS50-22256	11714
Atro	TS50-22256	13618
Atro	TS50-22649	18909
Atro	TS59-22400	11729
Atro	TS62-22240	12051

Marca
Atro
Atro
Atro
Atro
Atro
Atro
Atro
Atro
Atro
Atro

Referencia
TS96-22286
TT38000
TT50-22697
UB20500
UB20500 / UB20500-US
UB20500 / UB20500-US
UB20500-OS
WP50-29557
WP50-29929
WP55-290C1

Código
32083
13518
13582
11003
11005
11083
11078
13524
13550
30544

Autocar

Marca
Autocar
Autocar
Autocar
Autocar
Autocar
Autocar
Autocar
Autocar

Referencia
3187322
12005 3208 / 12005-3208
12005-3207
210661-1X
34013-088L
423-1
60314000 / 64179004
60314000 / 64179004

Código
18860
12305
12304
40074
83596
11739
13611
13722

Automann

Marca
Automann
Automann
Automann
Automann
Automann
Automann
Automann
Automann
Automann
Automann
Automann
Automann
Automann

Referencia
BP198 / BP198HE / BP198UB
HLK2020
KP118
M13416 / M13416UB
M17403K / M17403KUB
M17404 / M17404UB
M17404K2 / M17404KUB2
M17413UB / M17413 / M17413UB
M17418 / M17418UB
M17418 / M17418UB
M17474UB
M1980 / M1980UB
M1992HE

Código
13531
11096
11724
12410
11090
11538
11761
11073
11117
11144
12367
13543
13544

Marca	Referencia	Código
Automann	M203049	12305
Automann	M203052 / M203052UB	12301
Automann	M203073 / M203073UB	34516
Automann	M203076	11804
Automann	M203104 / M203104UB	30545
Automann	MHS237	13604
Automann	MHS237	13673
Automann	RD1170 / RD1175	11711
Automann	TMR533	34562
Automann	TMRN610	13683
Automann	TMRN681 / TRMU681	13695
Automann	TRB5032 / TRB5031 / TRB5031SUB	18821
Automann	TRB5909 / TRB5909UB	14012
Automann	TRB5911 / TRB5911UB	13511
Automann	TRB5914UB / TRB5914	13736
Automann	TRB5925	13752
Automann	TRB5927 / TRK5927	13617
Automann	TRB6165	13618
Automann	TRB6260 / TRB6260UB	13515
Automann	TRB6300 / TRB6300UB	13049
Automann	TRB6327	18919
Automann	TRB6327	18920
Automann	TRB6801 / TRB6801UB	11512
Automann	TRB6822 / TRB6822UB	13528
Automann	TRB8267	14536
Automann	TRK5927	13771
Automann	750.210084-2X	40139
Automann	750.210391-1X	40075
Automann	750.210661-1X	31109
Automann	750.210661-1X	40074
Automann	A18100UB	18100
Automann	ABP1 / ABP1UB	12006
Automann	"ABP2 / ABP2UB / ABP7"	12014
Automann	ABP4 / ABP4UB	12010
Automann	ABP6 / ABP6UB	12009
Automann	BA122	13566
Automann	BP198 / BP198HE / BP198UB	13580
Automann	BP198 / BP198HE / BP198UB	13748
Automann	BP198 / BP198UB / BP200 / BP200HE	13607
Automann	BP200	83596
Automann	C2000 / C2020 / M1972 / M1972UB	13505

Marca	Referencia	Código
Automann	D-280	12002
Automann	DLS118634	13541
Automann	DT1242	18320
Automann	HAK100	13507
Automann	HAK112	13609
Automann	HAK114	13610
Automann	HAK124	13547
Automann	HAK92	13502
Automann	HBK100	13534
Automann	HBK100	13558
Automann	HCK100	13587
Automann	HLK1000	11543
Automann	HLK1005	11124
Automann	HLK1011	11104
Automann	HLK1012	11105
Automann	HLK1015	11768
Automann	HLK1019	11107
Automann	HLK1020	11106
Automann	HLK1024	11176
Automann	HLK2001	11109
Automann	HLK2201	11832
Automann	HLN1002	10506
Automann	KB321 / KB321UB	11502
Automann	KB321 / KB321UB	11719
Automann	KB321/KB321UB	11511
Automann	KB32LB	11500
Automann	"KB450/KB450UB /KB478"	11720
Automann	KB452	11733
Automann	KB452	11734
Automann	KP101 / KP101UB / KP104 / KP104UB	11517
Automann	KP104 / KP104UB	40140
Automann	KP105	18094
Automann	KP109	40137
Automann	KP109	40141
Automann	KP109 / KP109UB	10002
Automann	KP116	18221
Automann	KP119 / KP119UB	11515
Automann	KP136/KP136K/KP136UB	10079
Automann	KP154	18215
Automann	KP154 / KP154UB	40035
Automann	M1 / M1UB	12000

Referencia Cruzada



Marca	Referencia	Código
Automann	M203045 / M203045UB	11112
Automann	M20305	10018
Automann	M20305 / M20305UB	10020
Automann	M203053 / M203053UB	34515
Automann	M203053 / M203053UB	34528
Automann	M203054	12340
Automann	"M203055 / M203055UB"	11129
Automann	M20306UB	12360
Automann	M203074	34552
Automann	M203075 / M203075UB	12408
Automann	M20309 / M20309UB	10503
Automann	M20309 / M20309UB	10505
Automann	M20309UB	10023
Automann	M20310 / M20310UB	12369
Automann	M20311 / M20311UB	12357
Automann	M203426 / M203426UB	17506
Automann	M23311	11118
Automann	M23311 / M23311E / M23311EUB / M23311UB	11611
Automann	M281050 / M281050UB	11707
Automann	M46730	30504
Automann	M46852	11149
Automann	M46852	11179
Automann	M5212 / MTB160	11758
Automann	M5316 / MR622	12043
Automann	M5447	11775
Automann	M5447	11846
Automann	M55203 / M55203UB	18063
Automann	M596651	11742
Automann	M596653	18938
Automann	M62447 / M62447UB	12026
Automann	M75681	11848
Automann	M9 / M9UB	12046
Automann	M9626 / M9626UB	13009
Automann	M9632 / M9632UB	13037
Automann	MFL43	11130
Automann	MFL46773	31624
Automann	MFL4895	11164
Automann	MH1433 / MH143UB	11550
Automann	MHS190 / MMB622	13550
Automann	MHS225K	13611
Automann	MHS225K	13722

Marca
Automann
Automann
Automann
Automann
Automann
Automann
Automann
Automann
Automann
Automann
Automann
Automann
Automann
Automann
Automann
Automann
Automann
Automann
Automann
Automann
Automann
Automann
Automann
Automann
Automann
Automann
Automann
Automann
Automann
Automann
Automann
Automann
Automann
Automann
Automann
Automann
Automann
Automann
Automann
Automann
Automann
Automann
Automann
Automann

Referencia
MHS225K
MHS237
MHS237
MHS736 / MHS736UB
MHS736 / MHS736UB
MHS745
MHS745 / TRB5914 / TRB5914UB
MHS79K
MIH52
MIH52 / MIH52UB
MKW14 / MKW14UB
MLC1 / MLC1UB
MLC10 / MLC10UB
MLC11
MLC2
MLC4
MLC5
MMB1000 / MMB1000UB
MMB985
MN92839 / MN92839K4 / MN92839 / MN92839KUB4
MPM348 / MPM348UB
MPM448 / MPM448UB
MR580 / TRB5911 / TRB5911UB
MR596 / MR596UB
MR656 / MR656UB
MR656/MR656UB
MR656/MR656UB
"MR668 /MR668UB /MR712"
MR752 / MR752UB
MR772 / MR772UB
MR780
MR782 / MR782UB / MR783
MR826
MR836 / MR836UB
MR848
MR862 / MR862UB
MR902 / MR902UB
"MSB684/MSB684UB/MSB798/MSB798U"
MTN458
MVT65
TMR520

Código
13807
13598
13816
13628
13744
13743
13594
13527
13634
30544
11501
13601
13649
11740
13625
13650
13626
11019
13524
14505
18574
18575
13512
11063
11005
11003
11078
11066
34511
11094
11142
11083
31129
11753
11123
11763
11767
12015
14540
12333
12395

Marca	Referencia	Código
Automann	TRB5904	12354
Automann	TRB5905 / TRB5906UB	12350
Automann	TRB5906/TRB5906UB	40064
Automann	TRB5907 / TRB5907UB	12351
Automann	TRB5907UB	17035
Automann	TRB5909 / TRB5909UB	14521
Automann	TRB5912 / TRK5912UB	13510
Automann	TRB6000 / TRB6000UB	15010
Automann	TRB6000 / TRB6000UB	15051
Automann	TRB6002 / TRB6002UB	15008
Automann	TRB6003 / TRB6003UB	15020
Automann	TRB6004	15013
Automann	TRB6004 / TRB6004UB	14031
Automann	TRB6008 / TRB6008UB	15019
Automann	TRB6008 / TRB6008UB	15073
Automann	TRB6025 / TRB6025UB	14010
Automann	TRB6025 / TRB6025UB	14091
Automann	TRB6062	15009
Automann	TRB6112 / TRB6112E / TRB6112UB	13518
Automann	TRB6118	13517
Automann	"TRB6119/TRB6119E/TRB6119UB"	12031
Automann	TRB6165 / TRB6165UB	11714
Automann	TRB6175	13672
Automann	TRB6179 / TRB6179UB	13582
Automann	TRB6181	13516
Automann	TRB6185 / TRB6185UB	11004
Automann	TRB6185 / TRB6185UB	13521
Automann	TRB6185 / TRB6185UB	13799
Automann	TRB6186 / TRB6186UB	13514
Automann	TRB6191	11163
Automann	TRB6193	11162
Automann	TRB6195	11166
Automann	TRB6199	12051
Automann	TRB6205	13627
Automann	TRB6300 / TRB6300UB	13001
Automann	TRB6300 / TRB6300UB	13044
Automann	TRB6300 / TRB6300UB	14003
Automann	TRB6326	14008
Automann	TRB6326 / TRB6326UB	14007
Automann	TRB6326 / TRB6326UB	14073
Automann	TRB6332	14004

Marca
Automann
Automann
Automann
Automann
Automann
Automann
Automann
Automann
Automann
Automann
Automann
Automann
Automann
Automann
Automann
Automann
Automann
Automann
Automann
Automann

Referencia
TRB6820 / TRB6825 / TRB6825E / TRB6820UB
TRB6820 / TRB6825 / TRB6825E / TRB6820UB
TRB6820 / TRB6825 / TRB6825E / TRB6820UB
TRB6825 / TRB6825UB
TRB8264 / TRB8264E
TRB8266
TRB8640 / TRB8640UB
TRB8640 / TRB8640UB
TRB8644 / TRB8644B
TRB9347
TRB9657
TRK11300 / TRK11300UB
TRK5384HD
TRK5912
TRK5925
TRK5927 / TRK5927UB
TRK6008
TRK6300
TRS3309
TRS4309

Código
11158
13520
83520
11729
14537
14538
10000
50031
11739
50046
32083
50032
13041
13668
13762
13599
15064
13042
13015
13011

Barry Controls

Marca
Barry Controls
Barry Controls
Barry Controls
Barry Controls
Barry Controls
Barry Controls

Referencia
26509
28398-3
289451
50275AA / D13-1001-1
50275AA / D13-1001-1
D13-1001-1

Código
11742
34528
11074
11540
11760
11541

Batco

Marca
Batco
Batco
Batco
Batco
Batco
Batco

Referencia
951702
1319866
1609472
09-2269 / 59-2269
09-3344 / 59-3344
09-8065

Código
14540
13505
13506
13003
14007
13528

Referencia Cruzada

Marca	Referencia	Código
Batco	09-5461	13610
Batco	09-5462	13609
Batco	09-5501	13501
Batco	09-5525	83596
Batco	09-5525 / 09-5529 / M-3890	13607
Batco	09-5532	13650
Batco	09-5535	13590
Batco	09-5620 / 9-5620	13043
Batco	09-5716	13516
Batco	09-5721 / 09-572101	13518
Batco	09-5722	13522
Batco	09-6100	13601
Batco	09-6100	13721
Batco	09-6100	13722
Batco	09-6110	13625
Batco	09-6203 / 59-6203	13534
Batco	09-6206	13510
Batco	09-6461 / 09-6471 / 59-6471	11000
Batco	09-6461 / 09-6471 / 59-6471	11063
Batco	09-6516	11083
Batco	09-7150 / 59-7150 / TWBL2366	11502
Batco	"09-7150/59-7150/TWBL2366"	11719
Batco	09-7160 / 59-7160	11550
Batco	09-7243	11500
Batco	09-7280.	31137
Batco	09-7588 / 59-7588	12014
Batco	09-8023	12350
Batco	09-8396 / 09-8406	11739
Batco	13607	12031
Batco	9-2258 / 9-5529	13580
Batco	9-5420	13683
Batco	9-5424	13691
Batco	9-5426	13695
Batco	9-5511 / 9-5728	13504
Batco	9-5511 / 9-5728	13553
Batco	9-5519	13513
Batco	9-5690	13648
Batco	9-5723	13520
Batco	9-5723	13536
Batco	9-6851	13512
Batco	9-7567 / 9-7595	12010

Referencia Cruzada

Marca	Referencia	Código
BWP	M2062	13650
BWP	M2068	13514
BWP	M2069	83522
BWP	M-2069	13522
BWP	M2070	13536
BWP	M2070	83520
BWP	M-2070	13520
BWP	M-2072	13518
BWP	M2087	13517
BWP	M2088	13516
BWP	M-2090	12031
BWP	M-2110	12006
BWP	M2111	12010
BWP	M-2112 / M-3850	12014
BWP	M-2153	13506
BWP	M-2153	13553
BWP	M-2153	13798
BWP	M2850	11000
BWP	M2850	11064
BWP	M2850	40064
BWP	M-2920	12009
BWP	M2938	15000
BWP	M-2945	14010
BWP	M-2945	14091
BWP	M2966	13610
BWP	M-3262	13515
BWP	M-3264	11502
BWP	M-3264	11719
BWP	M3399	15001
BWP	M3436	15020
BWP	M3453	14527
BWP	M3456	14513
BWP	M-3478	13513
BWP	M3483	14038
BWP	M37377	17675
BWP	M37378	17674
BWP	M-3790	11004
BWP	M-3790	13521
BWP	M-3790	13799
BWP	M3841	11709
BWP	M-3846	12015

Referencia Cruzada

Marca
BWP

Referencia
M-688

Código
14004

Cambie

Marca
Cambie

Referencia
07-03286 / 703286

Código
11523

Camion PRO

Marca
Camion PRO
Camion PRO
Camion PRO

Referencia
TWHN19279-000
TWHN24209-000
TWHN47691-000

Código
13592
13649
11004

Chalmers

Marca
Chalmers
Chalmers
Chalmers
Chalmers

Referencia
15002
22082 / 22128
22129
800010

Código
11740
18919
18920
11739

Clevite-Tenneco

Marca
Clevite-Tenneco
Clevite-Tenneco
Clevite-Tenneco
Clevite-Tenneco
Clevite-Tenneco
Clevite-Tenneco
Clevite-Tenneco
Clevite-Tenneco
Clevite-Tenneco
Clevite-Tenneco
Clevite-Tenneco
Clevite-Tenneco
Clevite-Tenneco
Clevite-Tenneco

Referencia
880150
945381
227710
227720 / 936420
229240
229610 / 936230
240760
66057
810090 / 810096 / 81897
810090/810096/81897
820930 / 820980 / 834390
834390
836940 / 839310
925000 / 943885

Código
31129
11080
13522
13520
12031
13518
11714
11008
13521
11004
11083
11005
11729
11078

Referencia Cruzada

Marca
Clevite-Tenneco
Clevite-Tenneco
Clevite-Tenneco
Clevite-Tenneco
Clevite-Tenneco
Clevite-Tenneco
Clevite-Tenneco
Clevite-Tenneco
Clevite-Tenneco
Clevite-Tenneco
Clevite-Tenneco
Clevite-Tenneco
Clevite-Tenneco
Clevite-Tenneco
Clevite-Tenneco
Clevite-Tenneco
Clevite-Tenneco
Clevite-Tenneco
Clevite-Tenneco
Clevite-Tenneco
Clevite-Tenneco

Referencia
925030
925050
928610
928660 / 928661
928681
92883-4
932420
937530 / TR030020010
937561
939062
943763
943853
947106 / TR030010040
947790
KT00B922600
MB01A820426
MB01A834840
SB03A114030
SB03A233283
SB03A233283
SB03A233283

Código
11751
11152
13683
13691
13695
12071
11509
11792
11795
12069
12072
13634
11081
12395
13510
10075
11066
13505
13506
13553
13798

Dallas-Spring

Marca
Dallas-Spring
Dallas-Spring
Dallas-Spring
Dallas-Spring
Dallas-Spring
Dallas-Spring
Dallas-Spring
Dallas-Spring
Dallas-Spring
Dallas-Spring
Dallas-Spring
Dallas-Spring
Dallas-Spring
Dallas-Spring
Dallas-Spring
Dallas-Spring
Dallas-Spring

Referencia
C876
HE1003
HE1067
HE1161
HE1162
HE1165
HE1178
HE1178
HE1178
HE1229
HE1257
HE1284 / HE1284U
HE1337
S7020 / S7147
S7096

Código
13500
13510
13649
13520
13518
13507
13506
13553
13798
14010
13505
13601
13582
15020
13037

Referencia Cruzada

Marca
Dallas-Spring
Dallas-Spring

Referencia
S7290
S7434

Código
11165
11166

Dana-Spicer

Marca
Dana-Spicer
Dana-Spicer
Dana-Spicer
Dana-Spicer
Dana-Spicer
Dana-Spicer
Dana-Spicer
Dana-Spicer
Dana-Spicer
Dana-Spicer
Dana-Spicer
Dana-Spicer
Dana-Spicer

Referencia
11019 / 281233 / M10WJ178
16064
2101301X / 210969-1X / 230958-1
<small>"210660-1X / 210661-1X / 210875-1X / 210888-1X / 210987-1X / 212066-1X / 212129-1X / 212155-1X / 5003323 / 5003326 / 5003628"</small>
2108811X
281233
28-1241
L1032
L1032
L1032
L1132
L1132
M16HD106

Código
17503
17500
40139
40074
40075
17501
17504
14031
15013
15063
15010
15051
17678

Dayton Parts

Marca
Dayton Parts
Dayton Parts
Dayton Parts
Dayton Parts
Dayton Parts
Dayton Parts
Dayton Parts
Dayton Parts
Dayton Parts
Dayton Parts
Dayton Parts
Dayton Parts
Dayton Parts
Dayton Parts
Dayton Parts

Referencia
321-123 / 321-244 / 321-123U
321-127 / 321-127U
321-128
321-129
321-132 / 321-500 / 321-132U
321-132 / 321-500 / 321-132U
321-135
321-137
321-145 / 321-145U
321-146 / 334-211
321-162
321-177 / 321-177U
321-177 / 321-177U
321-265 / 321-265U
321-273U / 321-273 / 321-273U
321-274
321-279

Código
13543
13560
13544
13545
83520
11158
13517
13516
15073
15075
13791
13044
13049
13528
18919
18920
13618

Referencia Cruzada

Marca	Referencia	Código
Dayton Parts	321-324U	30507
Dayton Parts	321-324U	30545
Dayton Parts	321-325	11512
Dayton Parts	321-338 / 321-368	11711
Dayton Parts	321-366	13672
Dayton Parts	321-387	18821
Dayton Parts	323-167 / 323-167U / 321-246 (HD)	13511
Dayton Parts	325-107 / 325-122 / 325-107U	14027
Dayton Parts	325-137 / 325-137U	14012
Dayton Parts	325-238 / 325-238U	14540
Dayton Parts	329-120U	11549
Dayton Parts	329-132U	12367
Dayton Parts	329-133 / 39-133U	10020
Dayton Parts	329-143U	11761
Dayton Parts	334-108	13502
Dayton Parts	334-127 / 334-467	13609
Dayton Parts	334-138	13547
Dayton Parts	334-1628	15060
Dayton Parts	334-1680	50032
Dayton Parts	334-1699	13604
Dayton Parts	334-1984	32083
Dayton Parts	334-830 / 334-831 / 334-830U / 334-831U	13531
Dayton Parts	334-848	13625
Dayton Parts	345-610	13683
Dayton Parts	345-661	13691
Dayton Parts	345-681	13695
Dayton Parts	345-866	34562
Dayton Parts	RB-188 / 327-481 / 334-717	12043
Dayton Parts	02-210	17501
Dayton Parts	02-242	17504
Dayton Parts	320-108 / 320-108U	12350
Dayton Parts	320-132	12354
Dayton Parts	320-150 / 320-150U	11502
Dayton Parts	"320-150 / 320-150U"	11719
Dayton Parts	320-150/320-150U	11511
Dayton Parts	320-150U	11500
Dayton Parts	320-161 / 320-161U	18575
Dayton Parts	320-164 / 320-164U	18574
Dayton Parts	320-165U	18558
Dayton Parts	320-178 / 320-178U	11550
Dayton Parts	320-182 / 320-182U	18256

Referencia Cruzada

Marca	Referencia	Código
Dayton Parts	"320-200 / 320-200A / 320-200U / 320-201U"	11720
Dayton Parts	320-203	11733
Dayton Parts	320-203	11734
Dayton Parts	320-208	11743
Dayton Parts	321-118 / 321-118U	13500
Dayton Parts	321-120 / 321-120U	13501
Dayton Parts	321-122 / 321-123U / 321-124 / 321-243	13505
Dayton Parts	321-125 / 321-125U	13592
Dayton Parts	321-126 / 321-126U / 321-242	13506
Dayton Parts	321-126 / 321-126U / 321-242	13798
Dayton Parts	"321-126 / 321-126U / 321-242"	13553
Dayton Parts	321-126 / 321-126U / 321-242	13548
Dayton Parts	321-131	13522
Dayton Parts	321-131	83522
Dayton Parts	321-132	13520
Dayton Parts	321-133 / 321-133U	13518
Dayton Parts	321-136 / 321-136U	12031
Dayton Parts	321-141 / 321-141U	13514
Dayton Parts	321-144 / 321-144U	13515
Dayton Parts	321-145 / 321-145U	15019
Dayton Parts	321-146	15076
Dayton Parts	321-146	40127
Dayton Parts	321-146U	15016
Dayton Parts	321-147 / 321-147U	15010
Dayton Parts	321-147 / 321-147U	15051
Dayton Parts	321-151 / 321-151U / 325-151U	13037
Dayton Parts	321-152 / 321-191 / 321-191U	15001
Dayton Parts	321-153	15013
Dayton Parts	"321-153 / 321-153U / 39400016"	14031
Dayton Parts	321-157	15009
Dayton Parts	321-158 / 321-158U	15008
Dayton Parts	321-159 / 321-159U / 321-160	15000
Dayton Parts	321-162 / 321-162U	14010
Dayton Parts	321-162 / 321-162U	14091
Dayton Parts	321-169 / 321-194 / 321-194U	14002
Dayton Parts	321-175	14008
Dayton Parts	321-175 / 321-175U	14007
Dayton Parts	321-175 / 321-175U	14073
Dayton Parts	321-176 / 321-176U / 334-341	14000
Dayton Parts	321-177 / 321-177U	13001
Dayton Parts	321-177 / 321-177U	14003

Referencia Cruzada

Marca	Referencia	Código
Dayton Parts	321-178	14532
Dayton Parts	321-186 / 321-186U	10000
Dayton Parts	321-186 / 321-186U	50031
Dayton Parts	321-190 / 321-190U	13003
Dayton Parts	321-190 / 321-190U	13005
Dayton Parts	321-190 / 321-190U	13007
Dayton Parts	321-190U	13004
Dayton Parts	321-195 / 321-195U	13513
Dayton Parts	321-221U	14038
Dayton Parts	321-223 / 321-223U / 321-233U	13521
Dayton Parts	321-223/321-223U	11004
Dayton Parts	321-223/321-223U	13799
Dayton Parts	321-225 / 321-225U / 321-245	13526
Dayton Parts	321-227 / 321-227U	14510
Dayton Parts	321-229 / 321-229U	14513
Dayton Parts	321-231 / 321-231U	14528
Dayton Parts	321-231 / 321-231U	14533
Dayton Parts	321-232	14530
Dayton Parts	321-237 / 321-237U	14527
Dayton Parts	321-246 / 323-167U	13512
Dayton Parts	321-276 / 321-276U	11739
Dayton Parts	321-279 / 321-279U	11714
Dayton Parts	321-285 / 321-285U	15020
Dayton Parts	321-294	14004
Dayton Parts	321-314U	14514
Dayton Parts	321-335 / 321-335A	11509
Dayton Parts	321-360	13582
Dayton Parts	321-369	11729
Dayton Parts	321-388	13627
Dayton Parts	321-517	50046
Dayton Parts	321-519	12051
Dayton Parts	322-102A	13558
Dayton Parts	322-138	40064
Dayton Parts	322-138 / 322-138U	11000
Dayton Parts	322-138 / 322-138U	11064
Dayton Parts	325-100 / 325-100U	13649
Dayton Parts	325-101	13650
Dayton Parts	"325-110/325-123/325-123U/325-127/325-127U"	12014
Dayton Parts	325-112 / 325-112U	12006
Dayton Parts	325-113 / 325-113U	12010
Dayton Parts	"325-114/325-114U/325-124/325-124U"	12009

Referencia Cruzada

Marca	Referencia	Código
Dayton Parts	"325-118/325-120/325-120U"	12015
Dayton Parts	325-119	14087
Dayton Parts	325-137 / 325-137U	14521
Dayton Parts	325-150 / 325-150U / 325-15AU	13009
Dayton Parts	325-156	11740
Dayton Parts	325-168 / 325-168U	11501
Dayton Parts	325-200	14505
Dayton Parts	325-242	13725
Dayton Parts	325-243	11159
Dayton Parts	325-245	11165
Dayton Parts	325-247	11164
Dayton Parts	325-249	31624
Dayton Parts	329-104 / 329-104U	11517
Dayton Parts	329-106U	10026
Dayton Parts	329-106U	34536
Dayton Parts	329-109 / 329-109U	12000
Dayton Parts	329-114U	12023
Dayton Parts	329-116 / 329-116U	11725
Dayton Parts	329-116U	11085
Dayton Parts	329-119 / 329-119U	18063
Dayton Parts	329-123 / 329-123U / 329-124 / 329-124U	11515
Dayton Parts	329-125U	17674
Dayton Parts	329-126U	17675
Dayton Parts	329-128 / 329-128U	11530
Dayton Parts	329-128 / 329-128U	11537
Dayton Parts	"329-128/329-128U"	11531
Dayton Parts	329-128/329-128U	34545
Dayton Parts	329-128U	11612
Dayton Parts	329-129 / 329-129U	11545
Dayton Parts	329-130U	12366
Dayton Parts	329-133U	10018
Dayton Parts	329-135U / 329-137U	11533
Dayton Parts	329-136 / 329-136U	11520
Dayton Parts	329-136 / 329-136U	11523
Dayton Parts	329-141U	11613
Dayton Parts	329-141U / 329-194U	11540
Dayton Parts	329-142 / 329-142U	11535
Dayton Parts	"329-143/329-143U/329-164U"	11539
Dayton Parts	329-143U	11538
Dayton Parts	329-143U	11614
Dayton Parts	329-143U / 329-164	11837

Referencia Cruzada

Marca	Referencia	Código
Dayton Parts	329-144 / 329-144U / 329-163 / 329-163U	12355
Dayton Parts	329-144U	11527
Dayton Parts	329-145U	11557
Dayton Parts	329-145U	11709
Dayton Parts	329-149U	11554
Dayton Parts	329-150U	34510
Dayton Parts	329-151 / 329-151U	12356
Dayton Parts	329-155U	18786
Dayton Parts	329-157U	10002
Dayton Parts	329-157U	40137
Dayton Parts	329-157U	40141
Dayton Parts	329-161U	11805
Dayton Parts	329-161U	12363
Dayton Parts	329-165U	12032
Dayton Parts	329-169U	12004
Dayton Parts	329-177U	11705
Dayton Parts	329-179 / 329-179U	10503
Dayton Parts	329-179U	10023
Dayton Parts	329-181 / 329-181U	10505
Dayton Parts	329-191U	18102
Dayton Parts	329-199 / 329-199U	11020
Dayton Parts	329-202U	12359
Dayton Parts	329-203 / 329-203U	11707
Dayton Parts	329-205U	11134
Dayton Parts	329-205U	11544
Dayton Parts	329-206 / 329-206U	12046
Dayton Parts	329-211	12026
Dayton Parts	329-212U	12408
Dayton Parts	329-214 / 329-214U	12357
Dayton Parts	329-225 / 329-225U	11009
Dayton Parts	329-225 / 329-225U	11086
Dayton Parts	330-116	12375
Dayton Parts	330-123	18600
Dayton Parts	330-125	11759
Dayton Parts	330-168	18601
Dayton Parts	330-168	18602
Dayton Parts	334-109	13507
Dayton Parts	334-1123	13610
Dayton Parts	334-1134	13534
Dayton Parts	334-1134	13541
Dayton Parts	334-1576	13600

Referencia Cruzada

Marca	Referencia	Código
<i>Dayton Parts</i>	334-1576	13628
<i>Dayton Parts</i>	334-1576	13744
<i>Dayton Parts</i>	334-1597	13550
<i>Dayton Parts</i>	334-1628	13594
<i>Dayton Parts</i>	334-1628	13743
<i>Dayton Parts</i>	334-1672	34514
<i>Dayton Parts</i>	334-1676	50033
<i>Dayton Parts</i>	334-1698	13817
<i>Dayton Parts</i>	334-1699	13598
<i>Dayton Parts</i>	334-1699	13673
<i>Dayton Parts</i>	334-1699	13816
<i>Dayton Parts</i>	334-1720	13611
<i>Dayton Parts</i>	334-1720	13722
<i>Dayton Parts</i>	334-1720	13807
<i>Dayton Parts</i>	334-1727 / 3341845	13626
<i>Dayton Parts</i>	334-1810	13542
<i>Dayton Parts</i>	334-1840	11163
<i>Dayton Parts</i>	334-1843	11166
<i>Dayton Parts</i>	334-1844	11162
<i>Dayton Parts</i>	334-2025	14538
<i>Dayton Parts</i>	334-2026	14536
<i>Dayton Parts</i>	334-2113	13762
<i>Dayton Parts</i>	334-2114	13599
<i>Dayton Parts</i>	334-2114	13771
<i>Dayton Parts</i>	334-247	15063
<i>Dayton Parts</i>	334-252	15064
<i>Dayton Parts</i>	334-381	13566
<i>Dayton Parts</i>	334-452A	13041
<i>Dayton Parts</i>	334-453A	13011
<i>Dayton Parts</i>	334-456 / 334-456U	12351
<i>Dayton Parts</i>	334-527	13527
<i>Dayton Parts</i>	334-565	13042
<i>Dayton Parts</i>	334-566	13015
<i>Dayton Parts</i>	334-658	13510
<i>Dayton Parts</i>	334-658 Complete Kit	13668
<i>Dayton Parts</i>	334-747	13634
<i>Dayton Parts</i>	334-747 / 334-747U	30544
<i>Dayton Parts</i>	334-822	90030
<i>Dayton Parts</i>	334-822	90031
<i>Dayton Parts</i>	334-830 / 334-830U / 334-831 / 334-831U	13580
<i>Dayton Parts</i>	334-830 / 334-830U / 334-831 / 334-831U	13607

Referencia Cruzada

Marca	Referencia	Código
Dayton Parts	334-830 / 334-830U / 334-831 / 334-831U	13748
Dayton Parts	334-831	83596
Dayton Parts	334-833	13524
Dayton Parts	334-852	13721
Dayton Parts	334-852 / 334-852A	13601
Dayton Parts	334-916	12333
Dayton Parts	334-936	13581
Dayton Parts	339-102	13587
Dayton Parts	345-211	12395
Dayton Parts	345-215	12398
Dayton Parts	345-219	18860
Dayton Parts	345-219	31137
Dayton Parts	345-222	12072
Dayton Parts	345-866	34563
Dayton Parts	345-868	11081
Dayton Parts	345-883	11795
Dayton Parts	345-884	11792
Dayton Parts	345-892	12069
Dayton Parts	345-904	34554
Dayton Parts	345-919	11773
Dayton Parts	401754	18010
Dayton Parts	DT1537	11611
Dayton Parts	DT1676	13536
Dayton Parts	R29-150/329-150U	10075
Dayton Parts	RB-157-OS	11078
Dayton Parts	RB-175U / RB175 / RB175U	11063
Dayton Parts	RB-205 / RB-205U / RB-234 / RB-268 / RB205 / RB234 / RB268	11005
Dayton Parts	RB-205/RB-205U/RB-234/RB-268	11003
Dayton Parts	RB-205U / RB-268 / RB-268C / RB-268UB / RB-285 / RB-332 / RB268 / RB285 / RB332	11083
Dayton Parts	RB-211 / RB-233	11066
Dayton Parts	RB-253	31017
Dayton Parts	RB-253 / RB253	34511
Dayton Parts	RB-263	11094
Dayton Parts	RB-267	11142
Dayton Parts	RB-290	31129
Dayton Parts	RB-295	11753
Dayton Parts	RB-308 / RB308 / RB323	11763
Dayton Parts	RB-328 / RB328	11767
Dayton Parts	TB-68 / 327-306	11758
Dayton Parts	TB77 / 327-544	11775
Dayton Parts	TB77 / 327-544	11846

Referencia Cruzada

Dirego

Marca
Dirego

Referencia
13KL834840

Código
11066

Durothane

Marca
Durothane
Durothane
Durothane
Durothane
Durothane
Durothane
Durothane
Durothane
Durothane
Durothane
Durothane
Durothane
Durothane
Durothane
Durothane
Durothane
Durothane
Durothane
Durothane
Durothane
Durothane
Durothane
Durothane
Durothane
Durothane
Durothane
Durothane
Durothane
Durothane
Durothane
Durothane
Durothane
Durothane
Durothane
Durothane
Durothane
Durothane

Referencia
DT1740
D107
D134
D142
D186
D2002
D2003
D215
D217
D232
D251
D252
D26
D27
D27
D27
D284
D285
D286
D288
D293
D35
D350Z
D37
D407K
D429
D432
D44
D49
D51
D534
D536
D538

Código
14091
13592
13649
12026
11739
11720
13601
13009
13037
14521
18574
18575
11545
11530
11531
11537
12009
12006
12014
12010
12031
11502
11719
11550
13607
11063
11613
18063
11064
11705
12359
12370
15009

Referencia Cruzada

Marca	Referencia	Código
Durothane	D540	11707
Durothane	D542	11554
Durothane	D6	11523
Durothane	D6	11520
Durothane	D60	12000
Durothane	D62	12015
Durothane	D65	12046
Durothane	D71	15019
Durothane	D72	15008
Durothane	D79	15020
Durothane	D82	12357
Durothane	D83	12369
Durothane	D9	12356
Durothane	D90 / DT1590	11517
Durothane	DT1052	17506
Durothane	DT1101	11004
Durothane	DT1101	13799
Durothane	DT1103	11074
Durothane	DT1105	11077
Durothane	DT1108	11075
Durothane	DT1108	11131
Durothane	DT1110	11009
Durothane	DT1111	11008
Durothane	DT1115	11016
Durothane	DT1115	11725
Durothane	DT1120	11066
Durothane	DT1122	11020
Durothane	DT1125	11019
Durothane	DT1126	11172
Durothane	DT1128	11021
Durothane	DT1130	11065
Durothane	DT1132	11018
Durothane	DT1140	11094
Durothane	DT1145	11758
Durothane	DT1155	11005
Durothane	DT1155	11083
Durothane	DT1160	31624
Durothane	DT1172	40197
Durothane	DT1172	40074
Durothane	DT1172-P	11772
Durothane	DT1175	11129

Referencia Cruzada

Marca	Referencia	Código
Durothane	DT12118834	18434
Durothane	DT1235	17002
Durothane	DT1300	13001
Durothane	DT1300 / DT1301	13000
Durothane	DT1310	13005
Durothane	DT1311	13007
Durothane	DT1311	13003
Durothane	DT1380	12351
Durothane	DT1381	12350
Durothane	DT1400	11500
Durothane	DT1401	11501
Durothane	DT1410	11743
Durothane	DT1415	11527
Durothane	DT1415	12355
Durothane	DT1418	11544
Durothane	DT1424	11539
Durothane	DT1425	11540
Durothane	DT1426	11541
Durothane	DT1427	11549
Durothane	DT1430	11535
Durothane	DT1433	11615
Durothane	DT1437	11611
Durothane	DT1465	11509
Durothane	DT1470	11507
Durothane	DT1473	11753
Durothane	DT1474	11767
Durothane	DT1477	11763
Durothane	DT1480	11729
Durothane	DT1490	18938
Durothane	DT1491	11742
Durothane	DT1496	18949
Durothane	DT1500	14514
Durothane	DT1501	14528
Durothane	DT1501	14533
Durothane	DT1502	14513
Durothane	DT1505	14510
Durothane	DT1509	14527
Durothane	DT1592-C	11515
Durothane	DT1594	10002
Durothane	DT1596	11604
Durothane	DT1597	40035

Referencia Cruzada

Marca	Referencia	Código
Durothane	DT1598	10080
Durothane	DT1600	13521
Durothane	DT1604	11123
Durothane	DT1605	13598
Durothane	DT1608	34514
Durothane	DT1609	10000
Durothane	DT1609	50031
Durothane	DT1610	13594
Durothane	DT16100A	13626
Durothane	DT16101	13611
Durothane	DT16101	13807
Durothane	DT1611	13736
Durothane	DT1617	13550
Durothane	DT1620	13526
Durothane	DT1622	13512
Durothane	DT1624	18100
Durothane	DT1625	18994
Durothane	DT1630	13627
Durothane	DT1632	13501
Durothane	DT1633	13500
Durothane	DT1634	13508
Durothane	DT1642	13506
Durothane	DT1642	13553
Durothane	DT1642	13798
Durothane	DT1643	13505
Durothane	DT1644	13568
Durothane	DT1644	13509
Durothane	DT1644-1	13507
Durothane	DT1655	13522
Durothane	DT1660	13524
Durothane	DT1675-ROT	13520
Durothane	DT1676	13536
Durothane	DT1685	13518
Durothane	DT1688	13582
Durothane	DT1691	13565
Durothane	DT1691K	13510
Durothane	DT1692	13541
Durothane	DT1693	13542
Durothane	DT1695	13599
Durothane	DT1718	14031
Durothane	DT1720	14008

Referencia Cruzada

Marca	Referencia	Código
Durothane	DT1721	14014
Durothane	DT1723	14002
Durothane	DT1738	14000
Durothane	DT1740	14010
Durothane	DT1778	15001
Durothane	DT1779	15000
Durothane	DT1781	15051
Durothane	DT1807	34511
Durothane	DT1810	34510
Durothane	DT1840/DT650	11714
Durothane	DT1850	34507
Durothane	DT1850	34593
Durothane	DT1850	34509
Durothane	DT1850	34526
Durothane	DT1864	34516
Durothane	DT1870	30544
Durothane	DT1875	13513
Durothane	DT1880	10023
Durothane	DT1880C	10075
Durothane	DT1881	34515
Durothane	DT1881	34528
Durothane	DT1882	10505
Durothane	DT1884	10503
Durothane	DT1886	10020
Durothane	DT1897	34500
Durothane	DT1955	31001
Durothane	DT1967	31594
Durothane	DT2001	18005
Durothane	DT2407	14004
Durothane	DT2507	10079
Durothane	DT2603	14007
Durothane	DT2603	14073
Durothane	DT2700	11551
Durothane	<small>DT2727 (Solo el Tornillo), DTF16129E78 y DTF16129E1</small>	13604
Durothane	DT2742	13812
Durothane	DT407K	13531
Durothane	DT49	11000
Durothane	DT84	12408
Durothane	DT88509	40139
Durothane	DT88510	40075
Durothane	DT88510-P	18725

Referencia Cruzada

Marca	Referencia	Código
Dyco	DT1610 / DT1611	15060
Dyco	DT1650 / DT1840	13618
Dyco	DT1695	13617
Dyco	DT1695	13772
Dyco	DT1740	13791
Dyco	(D109 KIT)	11541
Dyco	D024 / D24	11557
Dyco	D035/D35	11511
Dyco	D065	12047
Dyco	D069	15001
Dyco	D085	11805
Dyco	D098	14087
Dyco	D100	12031
Dyco	D100	13001
Dyco	D100	14003
Dyco	D-102	11020
Dyco	D-108	11762
Dyco	D-111	11760
Dyco	D114 / D115	11540
Dyco	D114KIT / D115KIT	11818
Dyco	D13	12350
Dyco	D135	13650
Dyco	D14	12351
Dyco	D14	17035
Dyco	D142	12026
Dyco	D143	12004
Dyco	D15/D325	11548
Dyco	D16	12363
Dyco	D186	11739
Dyco	D187	18920
Dyco	D-2	12366
Dyco	D-20	18786
Dyco	D2003	13601
Dyco	D2003	13721
Dyco	D2003	13722
Dyco	D203	10002
Dyco	D203	40137
Dyco	D-203	40141
Dyco	D21	11535
Dyco	D214	13003
Dyco	D214	13007

Referencia Cruzada

Marca	Referencia	Código
Dyco	D214	13041
Dyco	D214	13005
Dyco	D217	13037
Dyco	D22	11537
Dyco	D-22	11614
Dyco	D22 / D022 / D328 / DT1424	11761
Dyco	D22 / D022 / D328 / DT1424	11837
Dyco	D22 / D328	11539
Dyco	D237	14523
Dyco	D237	14527
Dyco	D-24	11709
Dyco	D250	18558
Dyco	D-26	11545
Dyco	D27	11612
Dyco	D285	12006
Dyco	D286	12009
Dyco	D286	12014
Dyco	D288	12010
Dyco	D30 / D030	11533
Dyco	D301	10503
Dyco	D-301	10505
Dyco	D325	11554
Dyco	D326	11527
Dyco	D326	11707
Dyco	D326	12355
Dyco	D329	13733
Dyco	D34	11531
Dyco	D35	11500
Dyco	D35	11502
Dyco	D35	11719
Dyco	D36	10075
Dyco	D36	11705
Dyco	D37	11509
Dyco	D37	11550
Dyco	D401	13505
Dyco	D402	13506
Dyco	D402	13548
Dyco	D402	13553
Dyco	D402	13798
Dyco	D-402	13507
Dyco	D403	13500

Referencia Cruzada

Marca	Referencia	Código
Dyco	D404	13501
Dyco	D405	11004
Dyco	D405	13521
Dyco	D405	13799
Dyco	D-407	13512
Dyco	D-407 / D407	13748
Dyco	D-41	10018
Dyco	D-41	10020
Dyco	D-42	10026
Dyco	D42 / D042	34536
Dyco	D421	13522
Dyco	D-421	83522
Dyco	D422	13518
Dyco	D422	13526
Dyco	D-423	13520
Dyco	D-423	13536
Dyco	D430	34510
Dyco	D-432	11613
Dyco	D433	31592
Dyco	D44	18063
Dyco	D440	10000
Dyco	D440	14514
Dyco	D441	14513
Dyco	D442	14002
Dyco	D-443	12360
Dyco	D448	14528
Dyco	D448	14533
Dyco	D46	11003
Dyco	D46	11005
Dyco	D46	11078
Dyco	D46	11083
Dyco	D48	11725
Dyco	D-49	11000
Dyco	D-49	11064
Dyco	D-49	40064
Dyco	D53	10023
Dyco	D-534	12359
Dyco	D542	11134
Dyco	D-542	11544
Dyco	D58	12354
Dyco	D59	15075

Marca
Energy Suspension
Energy Suspension
Energy Suspension
Energy Suspension
Energy Suspension
Energy Suspension
Energy Suspension
Energy Suspension

Referencia
90.7001
90.7001
90.7010
90.7023
90.7023
90.7023
90.8005
90.9053G / 90.9053R

Código
13522
83522
15013
13520
13536
83520
11550
12357

Euclid

Marca
Euclid
Euclid
Euclid
Euclid
Euclid
Euclid
Euclid
Euclid
Euclid
Euclid
Euclid
Euclid
Euclid
Euclid
Euclid
Euclid
Euclid
Euclid
Euclid
Euclid
Euclid
Euclid
Euclid
Euclid
Euclid
Euclid
Euclid
Euclid
Euclid
Euclid
Euclid
Euclid
Euclid
Euclid
Euclid
Euclid
Euclid
Euclid

Referencia
E-10310
E-10315
E-10317
E-1160 / E-7523
E-11912
E-1329A
E-1332 / E-7486
E13989
E14377
E-2226 / E-4664 / E-7639
E-2238
E-2372
E-2553
E-2554
E-2555
E-2814 / E-9517
E-3411
E-3868
E-5216 / E-5217 / E-7455
E-5270 / E-9566
E-5276
E-7427
E-7431
E-7457
E-7468
E-7468
E-7484
E-7503
E-7529

Código
13683
13691
13695
15073
50032
14540
14012
34562
15060
83520
13514
13502
13544
13545
13547
13517
13515
13528
14027
13511
13791
18919
11085
18256
11538
11761
10020
12367
30507

Marca	Referencia	Código
Euclid	E-7529	30545
Euclid	E-7640	11549
Euclid	E-8702	18920
Euclid	E-927 / E-7433	13044
Euclid	E-927 / E-7433	13049
Euclid	E-9323	11512
Euclid	E-9325 / E-9326	13531
Euclid	E-9325 / E-9326	13748
Euclid	E9395	13618
Euclid	E-9416	13625
Euclid	E-9419	13560
Euclid	E-9420	13609
Euclid	34511	34511
Euclid	CB210661-1X	40074
Euclid	CB210661-1X	40197
Euclid	E-.10792	10503
Euclid	"E-10057/E-8694/E-9579"	15020
Euclid	E-1018	13015
Euclid	E-1019	13011
Euclid	E-1020	13004
Euclid	E-1020 / E-1024 / E-7432 / E-7432 / E-9361	13005
Euclid	E-1020 / E-1024 / E-7432 / E-9361	13003
Euclid	E-1020 / E-1024 / E-7432 / E-9361	13007
Euclid	E-1023	13042
Euclid	E-1024	13041
Euclid	E-10302	11720
Euclid	E-10303 / E-10303	11729
Euclid	E-10309 / E-14048	13582
Euclid	E-10322	13672
Euclid	"E-1061 / E-1980 / E-7520 / E-8687"	14031
Euclid	E-1061 / E-8687	15013
Euclid	E-10729A	13600
Euclid	E-10729A	13628
Euclid	E-10729A	13744
Euclid	E-10730A	13604
Euclid	E-10792	10505
Euclid	E-10792 / E-2225 / E-7638 / E-8815	13522
Euclid	E-11496	13721
Euclid	E-11496	13722
Euclid	E-11496 / E-9410	13601
Euclid	E-1159	15016

Marca	Referencia	Código
Euclid	E-1159	15075
Euclid	E-1159	15076
Euclid	E-1159	40127
Euclid	E-1160 / E-7523	15019
Euclid	E-11763	34514
Euclid	E-11766	50033
Euclid	E11853	11020
Euclid	E-1312	15064
Euclid	E-1332 / E-7486 / E-7486	14521
Euclid	E-1339 / E-6979 / E-9359 / E-9510	13505
Euclid	E-1340 / E-9511 / E-9511	13501
Euclid	E-1341A / E-2771 / E-9512	13506
Euclid	E-1341A / E-2771 / E-9512	13798
Euclid	"E-1341A/E-2771/E-9512"	13553
Euclid	E-1341A/E-2271/E-9512	13548
Euclid	E-13967	13516
Euclid	E13989	34563
Euclid	E-1402	13627
Euclid	E-14044	13626
Euclid	E-14347	13762
Euclid	E-14355	13599
Euclid	E-14355	13771
Euclid	E14377	13743
Euclid	E-14534	13611
Euclid	E-14534	13807
Euclid	E-1546	13558
Euclid	E-1567	17505
Euclid	E-1577A	17668
Euclid	E-1594 / E-9520 / E-9520	13500
Euclid	E-1598A	13650
Euclid	E-1940 / E-9515	13592
Euclid	E-1964 / E8689	15009
Euclid	E-1981	15063
Euclid	E-1982 / E-7522	15010
Euclid	E-1982 / E-7522	15051
Euclid	E-1999 / E-2003 / E-7452 / E-9474	14000
Euclid	E-2003/E-7452/E-9474	14038
Euclid	E-210121-1X	40075
Euclid	E-2225	83522
Euclid	E-2226 / E-4664 / E-7639	13520
Euclid	E-2228 / E-8651	13518

Marca
<i>Euclid</i>
<i>Euclid</i>
<i>Euclid</i>
<i>Euclid</i>
<i>Euclid</i>
<i>Euclid</i>
<i>Euclid</i>
<i>Euclid</i>
<i>Euclid</i>
<i>Euclid</i>
<i>Euclid</i>
<i>Euclid</i>
<i>Euclid</i>
<i>Euclid</i>
<i>Euclid</i>
<i>Euclid</i>
<i>Euclid</i>
<i>Euclid</i>
<i>Euclid</i>
<i>Euclid</i>
<i>Euclid</i>
<i>Euclid</i>
<i>Euclid</i>
<i>Euclid</i>
<i>Euclid</i>
<i>Euclid</i>
<i>Euclid</i>
<i>Euclid</i>
<i>Euclid</i>
<i>Euclid</i>
<i>Euclid</i>
<i>Euclid</i>
<i>Euclid</i>
<i>Euclid</i>
<i>Euclid</i>
<i>Euclid</i>
<i>Euclid</i>
<i>Euclid</i>
<i>Euclid</i>
<i>Euclid</i>
<i>Euclid</i>
<i>Euclid</i>
<i>Euclid</i>
<i>Euclid</i>
<i>Euclid</i>
<i>Euclid</i>
<i>Euclid</i>
<i>Euclid</i>
<i>Euclid</i>

Referencia
<i>E-2232 / E-9514 / E-9514 / E2232 / E9514</i>
<i>E-2374 / E-5309</i>
<i>E-2642</i>
<i>"E-2815/E-9518/E-9518"</i>
<i>E-2849 / E-2850</i>
<i>E-2862</i>
<i>E-2862</i>
<i>E-2862</i>
<i>"E-2917/E-7481"</i>
<i>E-2919 / E-8667</i>
<i>E-2920 / E-3681 / E-7480</i>
<i>E-2936</i>
<i>E-3086 / E-8661</i>
<i>E-3086 / E-8661</i>
<i>"E-3275A / E-7479/E-7479"</i>
<i>E-3362 / E-5276</i>
<i>E-3362 / E-5276</i>
<i>E-3540A</i>
<i>E-3540A / E-7701</i>
<i>E-3540A / E-7701</i>
<i>E-3579 / E-8663 / E-8663</i>
<i>E-3582 / E-8664 / E-8664</i>
<i>E-3680</i>
<i>E-3770</i>
<i>E-3770</i>
<i>E-3771</i>
<i>E-3771</i>
<i>E-3784</i>
<i>E-3977 / E-8654 / E-8654</i>
<i>"E-4253/E-8681"</i>
<i>E-4253/E-8681</i>
<i>E-4255 / E-7485 / E-7485</i>
<i>E-4257</i>
<i>"E-4382A / E-8683"</i>
<i>E-4410A / E-7444</i>
<i>E-4410A / E-7444</i>
<i>E-4669 / E-7446 / E-7446 / E-7446A / E-7476</i>
<i>"E-4669 / E-7446/E-7446A"</i>
<i>E-4669/E-7446A/E-7446</i>
<i>E-4685</i>
<i>E-4771</i>

Código
<i>13649</i>
<i>13507</i>
<i>12044</i>
<i>12031</i>
<i>15000</i>
<i>13508</i>
<i>13509</i>
<i>13587</i>
<i>12006</i>
<i>12010</i>
<i>12014</i>
<i>14532</i>
<i>10000</i>
<i>50031</i>
<i>12015</i>
<i>14010</i>
<i>14091</i>
<i>40064</i>
<i>11000</i>
<i>11064</i>
<i>13009</i>
<i>13037</i>
<i>12009</i>
<i>13534</i>
<i>13541</i>
<i>90030</i>
<i>90031</i>
<i>13513</i>
<i>15001</i>
<i>14527</i>
<i>14523</i>
<i>14510</i>
<i>14530</i>
<i>14513</i>
<i>14528</i>
<i>14533</i>
<i>11502</i>
<i>11719</i>
<i>11511</i>
<i>11740</i>
<i>34554</i>

Referencia Cruzada



Marca	Referencia	Código
<i>Euclid</i>	E-4775 / E-7509	12350
<i>Euclid</i>	E-4776	12351
<i>Euclid</i>	E-4776	17035
<i>Euclid</i>	E-4827 / E-9505	14002
<i>Euclid</i>	E-5083	12395
<i>Euclid</i>	E-5227	14087
<i>Euclid</i>	E-5269 / E-9401	13526
<i>Euclid</i>	E-5270 / E-9566	13512
<i>Euclid</i>	E-5275	11004
<i>Euclid</i>	E-5275	13521
<i>Euclid</i>	E-5275	13799
<i>Euclid</i>	E-5309	13566
<i>Euclid</i>	E-5512	12357
<i>Euclid</i>	E-5512	17501
<i>Euclid</i>	E-6121	13510
<i>Euclid</i>	E-6121	13550
<i>Euclid</i>	E-6121	13668
<i>Euclid</i>	E-6122	13536
<i>Euclid</i>	E-640	14004
<i>Euclid</i>	E-661	17503
<i>Euclid</i>	E-6858B	17674
<i>Euclid</i>	E-6858R	17675
<i>Euclid</i>	E-6980	13543
<i>Euclid</i>	"E-7426/E-7426/E-7766"	11739
<i>Euclid</i>	E-7431	11725
<i>Euclid</i>	E-7433 / E-7433 / E-927	13001
<i>Euclid</i>	E-7433 / E-7433 / E-927	14003
<i>Euclid</i>	E-7445	40137
<i>Euclid</i>	E-7445	40141
<i>Euclid</i>	E-7445 / E7445	10002
<i>Euclid</i>	E-7446A	11500
<i>Euclid</i>	E-7448	11554
<i>Euclid</i>	E-7450	11517
<i>Euclid</i>	E-7451	11515
<i>Euclid</i>	E-7453	14008
<i>Euclid</i>	E-7453 / E-934	14007
<i>Euclid</i>	E-7453 / E-934	14073
<i>Euclid</i>	E-7462	11705
<i>Euclid</i>	E-7466	11134
<i>Euclid</i>	E-7466	11557
<i>Euclid</i>	E-7466	11709

Marca	Referencia	Código
Euclid	E-7467	11545
Euclid	E-7468	11614
Euclid	E-7468	11837
Euclid	E-7468 / E-7468	11539
Euclid	E-7469	11540
Euclid	E-7469	11613
Euclid	E-7470	11535
Euclid	E-7471	11612
Euclid	"E-7471 / E-7471"	11531
Euclid	E-7471 / E-7471	11537
Euclid	E-7472	11523
Euclid	E-7472 / E-7472	11520
Euclid	E-7473	11533
Euclid	E-7474	11550
Euclid	E-7477	12000
Euclid	E-7477	18102
Euclid	E-7483	10026
Euclid	E-7483	34536
Euclid	E-7484	10018
Euclid	"E-7492/E-7492/E-9521"	11501
Euclid	E-7506	11527
Euclid	E-7506	11707
Euclid	E-7506	12355
Euclid	E-7507	12356
Euclid	E-7508	12366
Euclid	E-7516	18575
Euclid	E-7517	18574
Euclid	E-7518	18558
Euclid	E-7521 / E-812	15008
Euclid	E-7528	13733
Euclid	E-7641	12023
Euclid	E-7644 / E-7644	18063
Euclid	E-7841	12354
Euclid	E-7853	12398
Euclid	E-8795	18600
Euclid	E-8804	11003
Euclid	E-8804	11005
Euclid	E-8804	11083
Euclid	E-8821	18860
Euclid	E-8821	31137
Euclid	E-8851	12333

Marca
Euclid
Euclid
Euclid
Euclid
Euclid
Euclid
Euclid
Euclid
Euclid
Euclid
Euclid
Euclid
Euclid
Euclid
Euclid

Referencia
E-8918
E-8918/E-8919
E-8919
E-9292
E-9324
E-9325 / E-9326
E-9325 / E-9326
E-9326
E-9391
E-9395
E-9421
E-9432A
E-9569
E-9575

Código
34510
10075
12360
14514
11509
13580
13607
83596
13524
11714
13610
13527
40140
13581

Euclides

Marca
Euclides

Referencia
E-7472 / E-7472

Código
11523

Flagg

Marca
Flagg
Flagg
Flagg
Flagg
Flagg
Flagg
Flagg
Flagg
Flagg
Flagg
Flagg
Flagg
Flagg
Flagg
Flagg
Flagg
Flagg

Referencia
BP87 / BP88
C867 / C888
C870
C872
C873
C875
C879 / C879UB
C880
C881
C886
C889
CHA22
CHA23
HAK34 / HAK34
HAK50
HS102
HT249

Código
13531
13543
13514
13545
13544
13560
83520
13517
13516
13511
13528
18919
18920
13502
13547
18821
15060

Marca	Referencia	Código
Flagg	IH22	34562
Flagg	N215 / N215UB	14012
Flagg	R208	13791
Flagg	RB188 / LNC24MM / B1424-62	12043
Flagg	RB267	11142
Flagg	RB328	11775
Flagg	RBT200 / RBT200UB	13044
Flagg	RBT200 / RBT200UB	13049
Flagg	RBT207	13515
Flagg	BA49	13566
Flagg	BP-87	83596
Flagg	BP87 / BP88	13580
Flagg	BP87 / BP88	13748
Flagg	BP88	13607
Flagg	C862 / C862UB / C871	13506
Flagg	C862 / C862UB / C871	13553
Flagg	C862 / C862UB / C871	13798
Flagg	C862/C862UB/C871	13507
Flagg	C863 / C877 / C887	13505
Flagg	C865 / C865UB	13501
Flagg	C866 / C866UB	13500
Flagg	C868	13526
Flagg	C874 / C874UB	13592
Flagg	C878	83522
Flagg	C878 / C878UB	13522
Flagg	C879 / C879UB / KW18	13520
Flagg	C879UB	13536
Flagg	C883 / C883UB	13518
Flagg	C884	12031
Flagg	C886	13512
Flagg	C890	13627
Flagg	CHA03	11740
Flagg	CHA54UB	11739
Flagg	E484-59	11759
Flagg	E485-75	12375
Flagg	E530 / E530-46	18600
Flagg	E796-59	18601
Flagg	E796-59	18602
Flagg	FL39	11078
Flagg	FL5	11000
Flagg	FL5	11064

Marca
Flagg
Flagg
Flagg
Flagg
Flagg
Flagg
Flagg
Flagg
Flagg
Flagg
Flagg
Flagg
Flagg
Flagg
Flagg
Flagg
Flagg
Flagg
Flagg
Flagg
Flagg
Flagg
Flagg
Flagg
Flagg
Flagg

Referencia
UM1113
UM1157
UM1190
UM1191
UM1191
UM1191
UM1194
UM1196
UM1204
UM1219
UM1313
UM1328
UM1328
UM1605
UM1607
UM1608
UM1693
UM207
UM207
UM324
VT1
VT20
VT20
VT21

Código
11552
11613
11535
11539
11614
11761
11709
11705
12000
12023
10026
10018
10020
12366
12367
12356
12355
10075
34510
11085
12333
18860
31137
11714

Fontaine

Marca
Fontaine
Fontaine
Fontaine

Referencia
BCH-172-U / BSH-109-L / BSH-LWS-L
BSH-150
BSH-150

Código
10079
10002
40141

Ford

Marca
Ford
Ford
Ford
Ford

Referencia
C9HS5872A
1T18197A
2RE.511.181
4C40-6038-AA / 4C4Z6038A

Código
13543
30507
40288
34509

Marca
Ford
Ford
Ford
Ford
Ford
Ford
Ford
Ford
Ford
Ford
Ford
Ford
Ford
Ford
Ford
Ford
Ford
Ford
Ford
Ford

Referencia
4C40-6038-AA / 4C4Z6038A
4C4Z5348BA
4C4Z5588AA / 4C4Z-5588-AA
4C4Z6068BA
932244695
932246735
B5TZ4840A
B8QH2237A
B8QH5873A
B8QH5873A
B8QH5873A
C1TT4840A / C8HA48008 / D4TZ4800G
C3TZ54599A
C3TZ5899B
C8TZ4840A / D4TZ4800J
C9HS5872A / TWAA5872A
DOHZ6068B
E1HT5781EA
E3HZA646A
E4HZ5872A
E4HZ5873A
F6HT6068BB
TALAA5872A
TWAA5873A

Código
34526
34511
34521
34529
13536
12031
40139
17501
13506
13553
13798
40075
13592
13650
40074
13500
10075
14010
13609
13526
13512
12323
13505
13501

Freightliner

Marca
Freightliner
Freightliner
Freightliner
Freightliner
Freightliner
Freightliner
Freightliner
Freightliner
Freightliner
Freightliner
Freightliner

Referencia
01-15047-000
"01-15047-000 / LORSSB3310017 / LORSSB3310018 / SSB3310017 / SSB3310018"
04-17003-000
"05-16070-000 / 0516070000 / A-681-504-00-82 / A6815040082"
11020 / A17-10464-001
11115
11118
11-19580-000
11-19581-000
1431 000 87002
151087-148
15-1087-148

Código
11087
11018
30504
11021
11020
11115
11118
11165
11164
11097
13522
83522

Marca	Referencia	Código
Freightliner	A16-119448	13521
Freightliner	A16-15303-000	31624
Freightliner	A17-13666-000	11124
Freightliner	A17-15140-000	11145
Freightliner	A237903	11163
Freightliner	A348634	11162
Freightliner	ABP / N3271501	30544
Freightliner	BCD 26704 1	11074
Freightliner	BCD 26704 1	11090
Freightliner	BCD 26704-1 / BCD 28945-1	11072
Freightliner	BCD 27651 1	11073
Freightliner	BCD 28805 1	31083
Freightliner	BCD274772	34525
Freightliner	"BCD28721-1/BCD28847-1"	11129
Freightliner	CB1121-10	11544
Freightliner	CB11242	11705
Freightliner	CBA-24-650-17	11085
Freightliner	CBA-24-650-17	11725
Freightliner	CBA28-1050	11707
Freightliner	FON BSH 109 L	10079
Freightliner	FULK3399	11611
Freightliner	HDR 62350 615	13733
Freightliner	HDR 64179 037	13626
Freightliner	HDR 64400-003L	18909
Freightliner	HDR56557002	13524
Freightliner	HDR56929000	13550
Freightliner	HDR59259002	11123
Freightliner	HDRR005422	34514
Freightliner	HLD XB 0009	18221
Freightliner	HLD XB 0011	18215
Freightliner	HLD90008149 / WCM11223	14528
Freightliner	HLD90008149 / WCM11223	14533
Freightliner	HLD-XB10605	40035
Freightliner	HR1-HBOS41 / RB175	11063
Freightliner	IPC-229610	13518
Freightliner	IPC928610	13683
Freightliner	IPC928660	13691
Freightliner	IPC928661	12044
Freightliner	IPC928681	13695
Freightliner	J197911	11112
Freightliner	J20941-3	11088

Marca
Freightliner
Freightliner
Freightliner
Freightliner
Freightliner
Freightliner
Freightliner
Freightliner
Freightliner
Freightliner
Freightliner
Freightliner

Referencia
J6198-2
J6198-2
J6210-41 / J6210-49
J7165-1
J7165-1
LOR CB2202-12
LORJ209416 / LORJ209417
LORJ7002
RDW 1117680B060
REY TK19089
SP2106611X
TDA CCB101

Código
11537
11613
10020
11520
11523
18015
11065
11019
11711
15064
40074
40075

Fruehauf

Marca
Fruehauf
Fruehauf
Fruehauf
Fruehauf
Fruehauf
Fruehauf
Fruehauf
Fruehauf
Fruehauf
Fruehauf
Fruehauf
Fruehauf
Fruehauf
Fruehauf
Fruehauf
Fruehauf
Fruehauf
Fruehauf
Fruehauf
Fruehauf

Referencia
UXA-0004 / UXA-004-000 / UXA000004
515147
586121 / UXA-000011 / UXA-0011 / UXA000011
586121 / UXA-000011 / UXA-0011 / UXA000011
ACD-2285-900
AXA-0413-900
MNW9000813995
UCA-0472
UCA-3754
UCA-3754
UCD-005635001 / UCD-5635-001
UXA-000004-900 / UXA-0004-900
UXA-000011
UXA000011-900 / UXA-000011900 / UXA-000011-900
UXA-000016
UXA-000160SP1 / UXA-0160 / UXA000160
UXA-0004 / UXA-004-000 / UXA000004
UXA-0004 / UXA-004-000 / UXA000004
UXA-0015001

Código
13005
17501
13001
14003
17668
17505
14513
14000
14008
14073
13037
13041
13049
13042
13015
13009
13003
13007
13011

Gaumers

Marca
Gaumers

Referencia
3206

Código
11000

Marca
Gaumers
Gaumers
Gaumers
Gaumers
Gaumers
Gaumers
Gaumers
Gaumers
Gaumers
Gaumers
Gaumers
Gaumers
Gaumers
Gaumers
Gaumers
Gaumers
Gaumers
Gaumers
Gaumers
Gaumers
Gaumers
Gaumers
Gaumers
Gaumers

Referencia
3206
5230
5230
5421
9203
9203
9203
11110
11110
13044
13044
13502
13551
13600
13601
13606
13660
13715
15161
15161
17011
01620 / 04620 / 05620 / 13620
06607 / 13607

Código
11064
11502
11719
11729
13003
13005
13007
10000
50031
11004
13521
13649
13512
13522
13520
13518
13607
13510
15010
15051
14073
11509
12031

GMC-Chevrolet

Marca
GMC-Chevrolet
GMC-Chevrolet
GMC-Chevrolet
GMC-Chevrolet
GMC-Chevrolet
GMC-Chevrolet
GMC-Chevrolet
GMC-Chevrolet
GMC-Chevrolet
GMC-Chevrolet
GMC-Chevrolet
GMC-Chevrolet
GMC-Chevrolet
GMC-Chevrolet
GMC-Chevrolet
GMC-Chevrolet

Referencia
12387455
12477594
1506314
15512196
15533651 / 1714667
15533771
"15533772/N8800599/N8884777/N8888164"
1553773
15624948
15664483
15963119
19875340
2325973 / 498417
2350908

Código
13607
83596
18847
40074
13500
13522
13520
13518
16035
17501
11747
18760
13501
30507

Marca
GMC-Chevrolet
GMC-Chevrolet
GMC-Chevrolet
GMC-Chevrolet
GMC-Chevrolet
GMC-Chevrolet
GMC-Chevrolet
GMC-Chevrolet
GMC-Chevrolet
GMC-Chevrolet
GMC-Chevrolet
GMC-Chevrolet
GMC-Chevrolet
GMC-Chevrolet
GMC-Chevrolet

Referencia
2359280 / 452839
2359281 / 452836
2359281 / 452836
2359281 / 452836
2406989
2423368
2425394 / 498407A
35801-5012
35801-5014
35801-5018
654107
686924
N8800599
N8800599

Código
13505
13506
13553
13798
40075
13650
13592
13691
13695
12042
13649
18215
13536
83520

HD-Plus

Marca
HD-Plus
HD-Plus

Referencia
FL918
KB920

Código
11159
11729

Hendrickson

Marca
Hendrickson
Hendrickson
Hendrickson
Hendrickson
Hendrickson
Hendrickson
Hendrickson
Hendrickson
Hendrickson
Hendrickson
Hendrickson
Hendrickson
Hendrickson
Hendrickson
Hendrickson
Hendrickson

Referencia
52550
49305-1110
64400-002L
S-24691
002202 / A-6914 / S-6914
004931 / R005422
"05919-000/29483-5 / 49400/5919"
06969-000L / 6969
10366
110222
"1349400/19880/34013-49/45000-7"
19279
200-8849 / 200-8849P
21140-033
21140-034
22279

Código
31129
18830
13536
13600
13510
34514
13505
13501
13544
13548
13507
13592
11753
13610
13609
13500

Referencia Cruzada



Marca	Referencia	Código
Hendrickson	24209	13649
Hendrickson	24476-000 / 24476000	11509
Hendrickson	26953	13650
Hendrickson	29878-1 / 45900 / 45900-000L	13506
Hendrickson	29878-1 / 45900 / 45900-000L	13798
Hendrickson	"29878-1/45900/45900-000L"	13553
Hendrickson	30437-000	13558
Hendrickson	30437000L	13534
Hendrickson	32174-000	13519
Hendrickson	3226713	12070
Hendrickson	34013-049	13566
Hendrickson	34013-087L / 34013-188L	13607
Hendrickson	34013088	83596
Hendrickson	44694	13522
Hendrickson	44694	83522
Hendrickson	44695	83520
Hendrickson	"44695/64400-002L/66649-002/66649-2"	13520
Hendrickson	"44697/64400-004L/66649-004/66649-4"	13518
Hendrickson	45000005	13502
Hendrickson	4500013L	13504
Hendrickson	45407-000	13560
Hendrickson	45477	13514
Hendrickson	46610	13683
Hendrickson	46660	13691
Hendrickson	46661	12044
Hendrickson	46681	13695
Hendrickson	46734	13517
Hendrickson	46735 / 64400-007L	12031
Hendrickson	46736	13516
Hendrickson	47420 / 48402 / 48932	13526
Hendrickson	47421 / 48401 / 48929	13512
Hendrickson	47691	11004
Hendrickson	47691	13521
Hendrickson	47692 / 47692-000	14010
Hendrickson	476991	13515
Hendrickson	48883-000	13527
Hendrickson	49210	13528
Hendrickson	49377	13721
Hendrickson	49377	13722
Hendrickson	"49377 / 49377-000 / 60879/60879000L"	13601
Hendrickson	49395	13625

Marca	Referencia	Código
Hendrickson	50612-000 / 56557	13524
Hendrickson	51752 / 52296 / 52378 / 52782	11083
Hendrickson	52375	11767
Hendrickson	53231	11758
Hendrickson	56929 / 56929-000	13550
Hendrickson	"57256 / 57256-000"	11714
Hendrickson	57857006	13634
Hendrickson	57989000	11747
Hendrickson	58648000	18821
Hendrickson	58757-005	13597
Hendrickson	58918-000 / 593461	13725
Hendrickson	58920-001	31111
Hendrickson	"59259002/592592"	11123
Hendrickson	59346-001	11126
Hendrickson	593461	18994
Hendrickson	60314000 / 64179004 / 641794	13611
Hendrickson	60314000 / 64179004 / 641794	13807
Hendrickson	60383000	13627
Hendrickson	60632-006	13604
Hendrickson	62000-610	11751
Hendrickson	62000-615	12071
Hendrickson	62000-650	12398
Hendrickson	62350-615	13733
Hendrickson	64179-002 / 64179-037 / 64179-048 / 64179-049	13626
Hendrickson	64400-003L / 66649-003	18909
Hendrickson	64473-000	13590
Hendrickson	64697 / 64697-000 / 64697000H	13582
Hendrickson	69210-000	13672
Hendrickson	98941-006-8P	18533
Hendrickson	A1712	14029
Hendrickson	A1712	14031
Hendrickson	A1712	15013
Hendrickson	A1712	15063
Hendrickson	A-20681 / B-7342 / S-2068-1	13541
Hendrickson	C-3558	13565
Hendrickson	C-3558	13628
Hendrickson	HCK340LP	13509
Hendrickson	HCK340LP	13587
Hendrickson	S-11613 / S-21099 / S-21099	13542
Hendrickson	S-20924	13673
Hendrickson	S-21099	13648

Marca
Hendrickson
Hendrickson
Hendrickson
Hendrickson

Referencia
S-21307
"S-23320/S-25364/S-26321"
S-24691
S-26321

Código
13581
13594
13744
13743

Holland

Marca
Holland
Holland
Holland
Holland
Holland
Holland
Holland
Holland
Holland
Holland
Holland
Holland
Holland
Holland
Holland
Holland

Referencia
90008289
4100328 / ATP-0328-03
4100358 / ASF-0358-07
48100510 / 90008267
90008139
90008149
ASF-0329-47
ASF-0329-47
RK004413
RK-004413 / XB-0011-2 / XE-07259
RK-03809 / XB-0011-1
XB-0009
XB-0011
XB-0012-3
XB-10605
XB-1604-5 / RK0012

Código
14537
40056
10001
14536
14513
14528
10079
10080
40140
11517
18094
18221
18215
11724
40035
11515

Hutchens

Marca
Hutchens
Hutchens
Hutchens
Hutchens
Hutchens
Hutchens
Hutchens
Hutchens
Hutchens
Hutchens
Hutchens
Hutchens

Referencia
16146-01 / 18723-01
7010-00
722-00
722-00
7620-00
7620-00
7620-00
7620-00
814-00
890-00
91008022
91028089

Código
14038
14000
14008
14073
13001
13042
13049
14003
14087
14027
14521
14522

Marca	Referencia	Código
Kenworth	K066-177 / K066-229 / M500-70NR	11537
Kenworth	K066-184	11500
Kenworth	K066-218	11709
Kenworth	"K066-228 / K066-228601 / M601 / M601-70NR"	11523
Kenworth	K066-228 / K066-228601 / M601 / M601-70NR	11520
Kenworth	K066-229 / M700	11613
Kenworth	K066-232 / K066-50	11501
Kenworth	K066-247	11614
Kenworth	K066-247	11761
Kenworth	K066-247	11837
Kenworth	"K066-247 / K066-282 / K066-320 / M506-70NR"	11539
Kenworth	K066-336	11533
Kenworth	K066-342	11507
Kenworth	K066-360	11805
Kenworth	K066-377	11540
Kenworth	K066-385	11762
Kenworth	"K066-404 / K066-405 / K066-406 / K066-407 / K066-423"	11615
Kenworth	K066-421	11541
Kenworth	K066-435-3 / K0664353	18938
Kenworth	K066-450 / K066-478	11720
Kenworth	K066-461	11733
Kenworth	K066-461	11734
Kenworth	K147-107	11543
Kenworth	K174-555 / K174-B456	11535
Kenworth	"K176-8-6344 / K17686344 / K179-528 / K179450 / R307467"	11545
Kenworth	K195-472	11773
Kenworth	K209-59	18601
Kenworth	K209-75	11759
Kenworth	K209-82	18602
Kenworth	K221-3941-08	11726
Kenworth	K26484	11548
Kenworth	K26484	11549
Kenworth	K278-1508	11547
Kenworth	KW08849AC	11743
Kenworth	L13-1007	11742
Kenworth	L56-0001	12365
Kenworth	L566027 / L56-6027	11832
Kenworth	M13-1009	11809
Kenworth	M13-1009	11811
Kenworth	M13-6001	11810
Kenworth	M13-6001	11812

MTC Springs

Marca
MTC Spring
MTC Spring
MTC Spring

Referencia
44694-000L
44695-000L
47691-000

Código
13522
13520
13521

Mullins

Marca
Mullins
Mullins
Mullins
Mullins

Referencia
183-191
283-182
487-178
51-178

Código
11720
13513
14002
15008

Navistar

Marca
Navistar
Navistar
Navistar
Navistar
Navistar
Navistar
Navistar
Navistar
Navistar
Navistar
Navistar
Navistar
Navistar
Navistar
Navistar
Navistar
Navistar
Navistar
Navistar
Navistar
Navistar

Referencia
124865R1
124892R1
124901R91
127426
14003022
14003030
1515966C1
1607727C1
1611872C91
1622375C1
1661925C91
1664723C1
1664723C1
1664726C2
1664727C1 / 1664728C1 / 1664728C2
1664728C1
1664729C1
1664729C1
1685916C1

Código
13501
13553
13505
11536
10004
10505
11739
15001
13610
11747
11751
34509
34526
34507
34500
34524
34510
34525
10026

Marca
Navistar
Navistar
Navistar
Navistar
Navistar
Navistar
Navistar
Navistar
Navistar
Navistar
Navistar
Navistar
Navistar
Navistar
Navistar
Navistar
Navistar
Navistar
Navistar
Neswtar

Referencia
503579C1
513267C1
537372C91
571960C1
753997C91
790337C1
80446
867499R1
893059R92
965080R1
AZ-14840-06
FULK3399 / ZBF3399
HCK340LP
HD62350615
HD64179037
SAFXB0009
SAFXB0011
SAFXB10605
TSHS73
ZJF47691L
S-19998

Código
10075
15008
13609
30544
10020
14527
10005
17506
13534
13500
30517
11611
13504
13733
13626
18221
18215
40035
13582
13521
11065

Neway

Marca
Neway
Neway
Neway
Neway
Neway
Neway
Neway
Neway
Neway
Neway
Neway
Neway
Neway
Neway
Neway
Neway

Referencia
48100509
5550317
57750211
57750232
57750233
57750252
57750255
57750258
57750261
57750262
57750264
57750343
90008005
900-08-006
90008008 / 90008008

Código
14538
12395
13516
12031
13518
13522
13520
13528
13517
13515
11509
12398
14532
31592
14527

Marca
Neway
Neway
Neway
Neway
Neway
Neway
Neway
Neway
Neway
Neway
Neway
Neway
Neway
Neway

Referencia
90008125
90008131
90008139 / 90008139
90008149
90008149
90008151 / 90008252
90008247
90008264 / 90008278
90008265
90044638
91008022 / 91008022
SRK-644

Código
31596
14510
14513
14528
14533
14514
50046
14537
11729
13695
14521
14536

NO-Polimeros

Marca
NO-Polimeros

Referencia
A80GR1113

Código
11523

NW-Polymers

Marca
NW-Polymers
NW-Polymers
NW-Polymers
NW-Polymers
NW-Polymers
NW-Polymers
NW-Polymers
NW-Polymers
NW-Polymers
NW-Polymers
NW-Polymers
NW-Polymers
NW-Polymers
NW-Polymers
NW-Polymers
NW-Polymers
NW-Polymers
NW-Polymers
NW-Polymers
NW-Polymers
NW-Polymers

Referencia
11129
A70GR1104
A70GR305
A70GR755 / A80GR1342
A80BR2061A
A80GR 1246
A80GR 1249
A80GR110
A80GR1101 / A90GR1166
A80GR1102
A80GR1102
A80GR1113
A80GR1191
A80GR1195
A80GR1247
A80GR1267
A80GR1338
A80GR1410
A80GR1430

Código
11129
11545
11005
13522
15000
12014
12015
11739
11502
11531
11537
11520
11539
11550
12006
12010
18063
14510
14521

Marca
Pai
Pai
Pai
Pai
Pai
Pai
Pai
Pai
Pai
Pai
Pai
Pai
Pai
Pai
Pai
Pai
Pai
Pai
Pai
Pai
Pai
Pai
Pai
Pai
Pai
Pai
Pai
Pai
Pai
Pai

Referencia
740045
755043
FBG-5167
4537-220
750341
750350
750501
750510
750512
750512
750512
803979
FBG-4989
FIM-4678
FMM4644
FMM-4676
FMT4582
FMT4679
FMT4806
FMT-4992
FSI2010
FSI4730
FSI-4811
FSI4910
FTR-42628-100
FTR-4537-200
FTR-4537-210

Código
11065
13594
12043
13634
13524
13550
13650
13626
13601
13721
13722
12084
15013
12049
12023
12000
12004
12002
12032
12045
12009
12014
12006
12010
12072
12070
12069

PAI Industres

PAI Industres
PAI Industres
PAI Industres
PAI Industres
PAI Industres
PAI Industres
PAI Industres

Referencia
750489
750510
755042
"EM47300 /FSI-2000/FSI-4730"
FBG-4482
FKT-4736
FKT-4737

Código
13597
13625
13510
12014
12015
13520
12031

Marca
Perterbil
Perterbil
Perterbil
Perterbil
Perterbil
Perterbil
Perterbil
Perterbil
Perterbil
Perterbil
Perterbil
Perterbil
Perterbil
Perterbil
Perterbil
Perterbil

Referencia
"03-04627/COM266"
05-08968
"05-08969 / 05-10103/05-16401"
05-10197
07-03286 / 703286
13-03510
13-04154
14-14656
20-25121 / 2025121
52296
56557-002
56929-000
B65-1006 / B65-1017-001
B65-6005
CB2203-72 / MR1001
K3399

Código
11550
12355
11613
12356
11520
12359
12370
12357
18949
11083
13524
13550
11753
11767
12369
11611

Reyco

Marca
Reyco
Reyco
Reyco
Reyco
Reyco
Reyco
Reyco
Reyco
Reyco
Reyco
Reyco
Reyco
Reyco

Referencia
0022-00 / 09729-01
08363-01 / 14713-01
08915-01 / 8995-01
127100 / 14347-01
13945-01
21238-01
K0649-02
T1723
T-1842
T-22421
T-22421
T-5493

Código
14031
15001
15000
13507
14010
15020
14002
15009
15008
15051
15010
15019

Ridewell

Marca
Ridewell
Ridewell
Ridewell
Ridewell

Referencia
1110594B000
1117379B000
1117558B000
1117558B000

Código
13501
83520
13500
13505

Marca
Ridewell
Ridewell
Ridewell
Ridewell
Ridewell
Ridewell
Rockwell
Rockwell
Rockwell

Referencia
1117564B001
1117564B001
1117564B001
1117680B060 / 1117680B070 / 1117680B075
13029758000
130310B000
303582
A-2297-U-73A
R3010057
R3010303

Código
13506
13553
13798
11711
13507
12044
13037
11509
15020
11729

S&S

Marca
S&S
S&S
S&S

Referencia
S-19291
S-19782
S-D754

Código
11074
11021
11611

Services Spring

Marca
Service Spring
Service Spring
Service Spring
Service Spring
Service Spring
Service Spring
Service Spring

Referencia
HB-3061
HN-3046
HN-3047
HN-3077
HN-3401
HN-3401
MK-9002 / MK-9488

Código
12031
13520
13518
13649
13509
13587
12014

Severson

Marca
Severson
Severson
Severson
Severson
Severson
Severson
Severson
Severson

Referencia
1329
1024 / A80BL1024
3557 / 3591 / A80BL3591
A80BL1050
0010 / A80BL0010
0105 / A80BL1001 / A80BL1001 / A80BL2366 / A90BL0105 / A9BL2366
"0105/A80BL1001//A90BL0105/A9BL2366"
1024 / A80BL1024

Código
14540
11085
11761
13005
14510
11502
11719
11725

Marca	Referencia	Código
Severson	A80BL1051	13001
Severson	A80BL1051 / A80BL1051	14003
Severson	A80BL1054	11549
Severson	A80BL1055	83522
Severson	A80BL1056	13520
Severson	A80BL1056	13536
Severson	A80BL1056	83520
Severson	A80BL1058	13518
Severson	A80BL1064	40137
Severson	A80BL1064	40141
Severson	A80BL1064 / A80BL1064	10002
Severson	A80BL1604-5	11515
Severson	A80BL2000	17505
Severson	A80BL2000	17534
Severson	A80BL2000	17674
Severson	A80BL2001	17675
Severson	A80BL2052	12350
Severson	A80BL2202	11612
Severson	A80BL2202 / A80BL2202	11537
Severson	"A80BL2202/A80BL2202"	11531
Severson	A80BL2205	12366
Severson	A80BL2207	12367
Severson	A80BL2208	10020
Severson	A80BL2212	11533
Severson	A80BL2213 / A80BL2213	11520
Severson	A80BL2213 / A80BL2213	11523
Severson	"A80BL3009/A80BL3009"	11501
Severson	A80BL3022	18575
Severson	A80BL3023	18574
Severson	A80BL3026	18558
Severson	A80BL3030	14521
Severson	A80BL3557	11613
Severson	A80BL3560	13506
Severson	A80BL3560	13507
Severson	A80BL3560	13553
Severson	A80BL3560	13798
Severson	A80BL3561A	15000
Severson	A80BL3591	11539
Severson	A80BL3591	11614
Severson	A80BL3593	12355
Severson	A80BL3594	11709

Marca
Severson
Severson
Severson
Severson
Severson
Severson
Severson
Severson
Severson
Severson
Severson
Severson
Severson
Severson
Severson
Severson
Severson
Severson
Severson
Severson
Severson

Referencia
A80BL3595
A80BL3596
A80BL5698
A80BL6735
A80BL6998
A80BL7691
A80BL7691
A80BL7691
A80BL8004
A80BL8007
A80BL8008
A80BL8011
A80BL8139
A80BL8149
A80BL8661
A80BL8661
A80BL8664 / A80BL8664
A80BL8666
A80BL8667
A80BL8689
A80BL8694
A80GR1449
D70BL1088
D70BL1088

Código
11550
11705
11512
12031
18786
11004
13521
13799
11554
10075
12356
18919
14513
14528
10000
50031
13037
14038
12010
15009
15020
14533
11000
11064

Sirco

Marca
Sirco
Sirco
Sirco
Sirco
Sirco
Sirco
Sirco

Referencia
SF1004 / SF1004U
44132 / 44132U
B8600A
SF1004 / SF1004U
SF1004 / SF1004U
SF1011 / SF1011U
SF1011 / SF1011U

Código
13005
11517
17501
13003
13007
13001
14003

SKF

Marca
SKF
SKF

Referencia
HB88510
HB88512A

Código
40075
40074

Marca
SRI
SRI
SRI
SRI

Referencia
RB164
RB-164 / RB164
RB-167 / RB167
RB301

Código
83522
13522
13512
11123

Sterling

Marca
Sterling
Sterling
Sterling
Sterling
Sterling
Sterling
Sterling
Sterling
Sterling
Sterling
Sterling
Sterling
Sterling
Sterling
Sterling
Sterling

Referencia
BCD 26704-01
BCD 26704-01
BCD 26704-01
BCD288471
FON BSH 172U L
FULK3399
HDR 64400-003L
HDR 59259002
HDR56557002
HDR56929000
HDRR005422
HLD-XB10605
IPC 925030
J177005
LOR SM10359 / MBT 6805040382

Código
11072
11074
11090
11129
10079
11611
18909
11123
13524
13550
34514
40035
11751
11019
11117

Therco

Marca
Therco
Therco
Therco
Therco
Therco
Therco
Therco
Therco
Therco
Therco
Therco
Therco

Referencia
11.10.257
11.11.255
11.31.176
14.30.163
14.30.163 / ACP-FA-163-C
16.10.185
16.11.250
16.11.250
16.21.206
16.31.208
16.31.252K

Código
40137
34510
10020
10023
10503
40064
11019
40075
11003
11725
18847

Marca
Therco

Referencia
S9-699

Código
90030

Timken

Marca
Timken
Timken

Referencia
88512
HB88510

Código
40074
40075

Transpor

Marca
Transpor

Referencia
0022-00 / A-1712

Código
10000

Truck Pro

Marca
Truck Pro
Truck Pro
Truck Pro
Truck Pro

Referencia
TWHN44694-000
TWHN44697-000
TWHN47691-000
TWHNS-6914

Código
13522
13518
13521
13510

TW

Marca
TW
TW
TW
TW
TW
TW
TW
TW

Referencia
0904-00
0904-00
0904-00
K0649-02
TWB1056
TWB1056
TWBL2366 / TWKB321
TWBL2366 / TWKB321

Código
13005
13003
13007
14002
10000
13520
11502
11719

UCF

Marca
UCF
UCF
UCF

Referencia
H-06969-000L
H-19279
H-22279-000

Código
13501
13592
13500

Marca
UCF
UCF
UCF
UCF
UCF
UCF
UCF
UCF

Referencia
H-24209-000
H-44695
H-44697-000
H-45735-000
H-47421-000
H-49400 / H49400-000L
HT-A6914
PAD-36B

Código
13649
13520
13518
12031
13512
13505
13510
12014

Uro

Marca
Uro
Uro

Referencia
DT1434
DT1434

Código
11531
11537

NW-Polymers

Marca
Volvo
Volvo
Volvo
Volvo
Volvo
Volvo
Volvo
Volvo
Volvo
Volvo
Volvo
Volvo
Volvo
Volvo
Volvo
Volvo
Volvo
Volvo
Volvo
Volvo
Volvo
Volvo

Referencia
1714668
20830478
0274-056
04-9009997
1089501
12004-0007-30857-8077380
12005-0001
12005-0002
1620750
20975430
21036254
25115012
25121508
25121508
274019
274069
3133712
35003-0008
35029-001
35033-0008 / 35033-3201 / 8079894
35801-0068
35801-5012

Código
13543
31129
32008
12301
12333
10075
12304
12305
31093
12084
12014
12010
12006
12039
32007
32009
13566
83522
13649
13522
18860
12044

Marca	Referencia	Código
Westar	20-859	13607
Westar	20-859	83596
Westar	20-860	13534
Westar	20-860	13558
Westar	20-876	13516
Westar	20-885	13515
Westar	20-899	13526
Westar	20-9023	13695
Westar	20-9038	13510
Westar	20-914	13672
Westar	25-705PU	14000
Westar	25-706PU	14038
Westar	25-708 / 25-708PU	14073
Westar	25-708PU	14008
Westar	25-750 / 25-750PU	13001
Westar	25-750 / 25-750PU	14003
Westar	30-1302	13513
Westar	30-1357PU	10020
Westar	30-1358PU	10026
Westar	30-1369PU	10503
Westar	30-1372PU	10505
Westar	30-1382	10000
Westar	30-1384/30-1384PU	10075
Westar	332 / 40-332	12006
Westar	35-1363PU	11705
Westar	35-505	11511
Westar	35-505 / 35807-4404 / 358074404	11509
Westar	35-526 / 35-526PU	11502
Westar	35-526 / 35-526PU	11719
Westar	35-539 / 35-539U	11550
Westar	35-547	11759
Westar	35-548PU	11552
Westar	35-549PU	11613
Westar	35-550PU	12363
Westar	35-551PU	11535
Westar	35-552PU	11539
Westar	35-552PU	11614
Westar	35-552PU	11761
Westar	35-553PU	11709
Westar	35-555PU	11545
Westar	35-556PU	11531

Marca
Westar
Westar
Westar
Westar
Westar
Westar
Westar
Westar
Westar
Westar
Westar
Westar
Westar

Referencia
55-132PU
55-132PU
55-134PU
55-144
55-152PU
60-1531PU
60-1535
60-1539
66001-3403
75-1709
DS-6048
DS-6049

Código
15019
15073
15009
14002
15001
14527
14513
14514
11705
18860
40075
40074

Buje para Gavilán Bushing for Hawk

17500



	Inch	mm
ID	1 1/2	38.10
OD	2 15/32	62.71
LG	1 1/2	38.10



Herramienta: Utiliza: 4
Diagrama: Relacionado: 17538,
Modelo: 17678, 17678
Año:

OEM#L1191

Buje para Leva de Freno Camshaft Bushing

17501



	Inch	mm
ID	1 1/2	38.10
OD	1 7/8	47.63
LG	1 3/16	30.16



Herramienta: Utiliza: 4
Diagrama: Relacionado: 17503,
Modelo: 17505, 17505
Año:

OEM#1225-L-1208,
BF5X2W156A

Buje para Leva de Freno Camshaft Bushing

17503



	Inch	mm
ID	1 1/2	38.10
OD	2	50.80
LG	2	50.80



Herramienta: Utiliza: 4
Diagrama: Relacionado: 17678
Modelo:
Año:

OEM#M10WJ175

Buje para Leva de Freno Camshaft Bushing

17504



	Inch	mm
ID	1 5/8	41.28
OD	1 29/32	48.42
LG	1 1/8	28.58
HO	7/32	5.56



Herramienta: Utiliza: 2
Diagrama: Relacionado: 17501,
Modelo: 17503, 17503
Año:

OEM#1225-B-834

Buje para Leva de Freno Camshaft Bushing

17505



	Inch	mm
ID	1 21/32	42.07
OD	2 3/16	55.56
LG	7/8	22.23
OD<	2	50.80



Herramienta: Utiliza: 4
Diagrama: Relacionado: 17501,
Modelo: 17503, 17503
Año:

OEM#R657003, AXA-
0413-900

Buje para Gavilán Bushing for Hawk

17538



	Inch	mm
ID	1 17/32	38.89
OD	1 29/32	48.42
LG	1 1/2	38.10



Herramienta: Utiliza: 2
Diagrama: Relacionado: 17678,
Modelo: 17503, 17503
Año:

OEM#1225-N-378, B-2021,
28-1233, 820183, 100035,
11008, 405126, 1225L1208,
1199A625

Buje para Leva de Freno Camshaft Bushing

17668



	Inch	mm
ID	1 5/8	41.28
OD	2 7/16	61.91
LG	1 1/2	38.10



Herramienta: Utiliza: 1
Diagrama: Relacionado:
Modelo:
Año:

OEM#ACD-2285-900,
L1191

Buje para Gavilán Bushing for Hawk

17678



	Inch	mm
ID	1 5/8	41.28
OD	2	50.80
LG	2	50.80



Herramienta: Utiliza: 2
Diagrama: Relacionado: 17503,
Modelo: 17538, 17538
Año:

OEM#L-266-E

Kit Buje Tri-Funcional

Tri-Functional Bushing Kit

13599 A3

BOLT Inch mm
7/8-9 UNC

Componentes

1 Pz. 13772 Buje Tri-Funcional / 1 Qty. 13772 Tri-Functional Bushing
1 Pz. 13542 Arandelas para Buje Tri-Funcional / 1 Qty. 13542 Tri-Functional Washers Bushing
1 Pz. 13599BM Buje de Acero / 1 Qty. 13599BM Steel Bushing
1 Pz. 13599TU Tuerca Gripco / 1 Qty. 13599TU Nylon Insert Nut
1 Pz. HT00051 Arandela / 1 Qty. HT00051 Washer
1 Pz. 13599TO Tornillo / 1 Qty. 13599TO Bolt



Herramienta: 13622 Utiliza: 2
Diagrama: DG002 Relacionado: 13772, 13542, 13542
Modelo: RFS25T
Año:

OEM# 21227380, 21230539, S11205, KIT11205

Buje Tri-Funcional

Tri-Functional Bushing

13617 B

ID Inch mm
15/16 23.81
OD 6 152.40
LG 5 3/4 146.05



Herramienta: Utiliza: 2
Diagrama: Relacionado: 13771, 13542, 13542
Modelo:
Año: 2000

OEM# 21227380, M21227380, A1225C1537

Arandelas para Buje Tri-Funcional

Tri-Functional Washers Bushing

13648 A3

ID Inch mm
2 15/16 74.61
OD 7 7/16 188.91
TK 1/4 6.35



Herramienta: Utiliza: 2
Diagrama: Relacionado: 13594, 13736, 13743
Modelo:
Año:

OEM# S-21099, B-21099, 921226663

Buje Tri-Funcional

Tri-Functional Bushing

13752 B

ID Inch mm
7/8 22.23
OD 6 152.40
LG 4 3/4 120.65



Herramienta: Utiliza: 2
Diagrama: Relacionado: 13774, 13722, 13722
Modelo: RFS23T / RFS25T
Año:

OEM# A1225N1522

Kit Buje Tri-Funcional

Tri-Functional Bushing Kit

13762 B

BOLT Inch mm
7/8-9 UNC

Componentes

1 Pz. 13752 Buje Tri-Funcional / 1 Qty. 13752 Tri-Functional Bushing
1 Pz. 13542 Arandelas para Buje Tri-Funcional / 1 Qty. 13542 Tri-Functional Washers Bushing
1 Pz. 13599TU Tuerca Gripco / 1 Qty. 13599TU Nylon Insert Nut
1 Pz. HT00051 Arandela / 1 Qty. HT00051 Washer
1 Pz. 13599TO Tornillo / 1 Qty. 13599TO Bolt



Herramienta: Utiliza: 2
Diagrama: Relacionado: 13752, 13542
Modelo:
Año:

OEM# Kit 11201

Kit Buje Tri-Funcional

Tri-Functional Bushing Kit

13771 B

BOLT Inch mm
7/8-9 UNC

Componentes

1 Pz. 13617 Buje Tri-Funcional / 1 Qty. 13617 Tri-Functional Bushing
1 Pz. 13542 Arandelas para Buje Tri-Funcional / 1 Qty. 13542 Tri-Functional Washers Bushing
1 Pz. 13599TU Tuerca Gripco / 1 Qty. 13599TU Nylon Insert Nut
1 Pz. HT00051 Arandela / 1 Qty. HT00051 Washer
1 Pz. 13599TO Tornillo / 1 Qty. 13599TO Bolt



Herramienta: Utiliza: 2
Diagrama: Relacionado: 13617, 13542, 13542
Modelo:
Año:

OEM# Kit 11205

Buje Tri-Funcional

Tri-Functional Bushing

13772 A6

ID Inch mm
1 17/32 38.89
OD 6 152.40
LG 5 3/4 146.05



Herramienta: 13622 Utiliza: 2
Diagrama: DG002 Relacionado: 13599, 13542, 13542
Modelo: RFS25T
Año:

OEM# 21227380, 212009133

Kit Buje Tri-Funcional

Tri-Functional Bushing Kit

13774 B

Componentes

1 Pz. 13751 Buje Tri-Funcional / 1 Qty. 13751 Tri-Functional Bushing
2 Pzs. 13773 Adaptador para Buje Lateral / 2 Qty. 13773 Beam End Adapter
2 Pzs. 13648 Arandela para Buje Tri-Funcional / 2 Qty. 13648 Tri-Functional Washer Bushing



Herramienta: Utiliza: 2
Diagrama: Relacionado: 13648
Modelo:
Año:

OEM# 212009133, 70000035

Buje para Balancín Equalizer Bushing

14000



A3

	Inch	mm
OD	3 5/16	84.14
LG	3 7/8	98.43
HO	3/4	19.05
LG C-C	1 11/32	34.13



Herramienta: Utiliza: 4
 Diagrama: DG007, Relacionado: 14002
 DG058, DG059, DG060,
 DG061, DG064, DG124,
 DG127
 Año: Modelo: Series H-2200 / H-2300/
 Series H-9600 / CH-9600 (CASTY/
 H-7600/ CH-7600(CASTY) Series
 H-9700/ H-9700 TWS/ CH-
 9700(CASTY) / TWSS4.5 / 61 / 73

OEM# UCA-0472, 7010-00,
R301999A

Kit Barra de Torsión Torque Rod Kit

14089



B

	Inch	mm
LG C-C	19 1/4	488.95

Componentes

- 1 Pz. 14078 Barra de Torsión / 1 Qty. 14078 Torque Rod
- 2 Pzs. 14073 Buje para Barra de Torsión / 2 Qty. 14073 Torque Rod Bushing



Herramienta: Utiliza: 2
 Diagrama: Relacionado: 14078,
 14073, 14073
 Modelo: Binkley
 Año: 2013-2015

OEM# SP0143, R309307

Buje para Barra de Torsión Torque Rod Bushing

18690



B

	Inch	mm
ID	1 3/16	30.16
OD	2 3/8	60.33
LG	4	101.60



Herramienta: Utiliza: 4
 Diagrama: Relacionado: 18701
 Modelo:
 Año:

OEM# SP1324X1

Buje para Balancín Equalizer Bushing

18701



B

	Inch	mm
ID	1 3/16	30.16
OD	2 1/4	57.15
LG	4	101.60



Herramienta: Utiliza: 2
 Diagrama: Relacionado: 18690
 Modelo:
 Año:

OEM# SP7155X1

Buje para Dirección Alignment Bushing

18939



B

	Inch	mm
ID	4 5/32	105.57
OD	4 23/32	119.86
LG	5 13/16	147.64



Herramienta: Utiliza: 1
 Diagrama: Relacionado:
 Modelo:
 Año:

OEM#

Kit Barra de Torsión Torque Rod Kit

31137



B

	Inch	mm
LG C-C	22 1/8	561.98

Componentes

- 1 Pz. 31138 Barra de Torsión / 1 Qty. 31138 Torque Rod
- 2 Pzs. 13677 Buje para Barra de Torsión / 2 Qty. 13677 Torque Rod Bushing
- 2 Pzs. HV00032 Cubre Polvo / 2 Qty. HV00032 Cover Dust
- 2 Pzs. HV00049 Grasera / 2 Qty. HV00049 Oil Pivot



Herramienta: Utiliza: 2
 Diagrama: Relacionado: 31138
 Modelo: VNL 780
 Año: 2015 - 2016

OEM# 3187322,
358010068, 8071513,
20396154, 20434482

Buje para Balancín Equalizer Bushing

34514



A3

	Inch	mm
ID	1 1/2	38.10
OD	3	76.20
LG	1 7/16	36.51
OD <	2 1/4	57.15



Herramienta: Utiliza: 8
 Diagrama: DG003, Relacionado: 50033,
 DG004 50031, 50031
 Modelo: MPA 38/40
 Año:

OEM# 19204, 004931

Buje para Barra de Torsión Torque Rod Bushing

50031



A2

	Inch	mm
ID	7/8	22.23
OD	2 3/8	60.33
LG	3	76.20



Herramienta: Utiliza: 4
 Diagrama: DG004 Relacionado: 50033,
 34514, 34514
 Modelo:
 Año:

OEM# A-1225-G-1437

Kit Bujes para Barra de Torsión 50032

Torque Rod Bushing Kit

LG 6 **Inch** **mm**
BOLT 7/8-9 UNC 152.40



Componentes

- 4 Pzs. 50031 Bujes para Barra de Torsión / 4 Qty. 50031 Torque Rod Bushing
- 4 Pzs. HT00048-3 Tornillo / 4 Qty. HT00048-3 Bolt
- 2 Pzs. 50032RM Arandela para pivote / 2 Qty. 50032RM Pivot Washer
- 4 Pzs. HT00050-1 Tuerca / 4 Qty. HT00050-1 Nut
- 8 Pzs. 50032HR Arandelas / 8 Qty. 50032HR Washer
- 8 Pzs. HT00046 Arandelas / 8 Qty. HT00046 Washer



OEM# Kit 11300, FRK0510030

Herramienta: Utiliza: 1
Diagrama: DG004 Relacionado: 50033, 34514, 34514
Modelo:
Año:

Kit Bujes para Balancín 50033

Equalizer Bushing Kit

BOLT 7/8-9 UNC **Inch** **mm**
Componentes



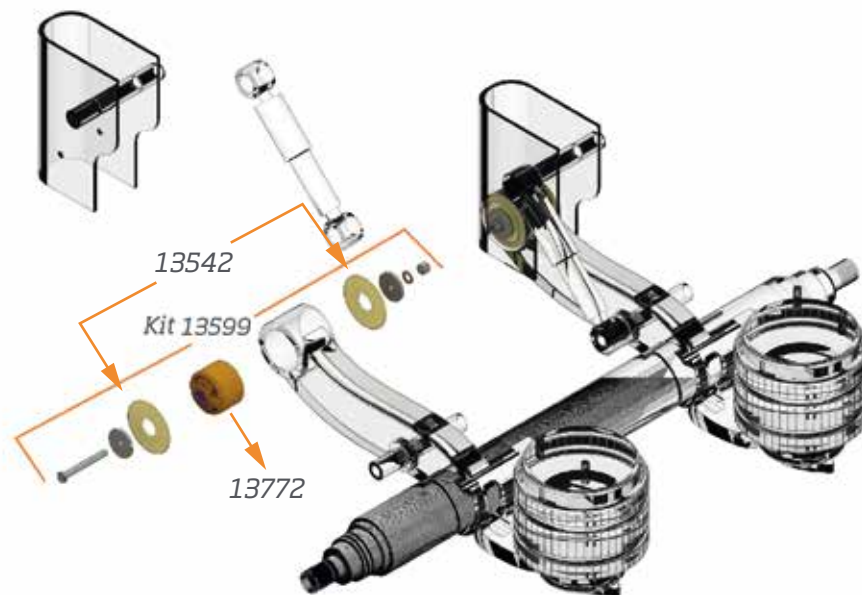
- 2 Pzs. 34514 Bujes para Balancín / 2 Qty. 34514 Equalizer Bushing
- 1 Pz. 50033BM Bujes de Acero / 1 Qty. 50033BM Steel Bushing
- 1 Pz. HT00048-3 Tornillo / 1 Qty. HT00048-3 Bolt
- 1 Pz. HT00050-1 Tuerca tipo Gripco / 1 Qty. HT00050-1 Nylon Insert Nut
- 2 Pzs. HT00046 Arandela / 2 Qty. HT00046 Washer



OEM# Kit 11102

Herramienta: Utiliza: 4
Diagrama: DG003, DG004 Relacionado: 34514, 50031, 50031
Modelo: MPA 38/40
Año:

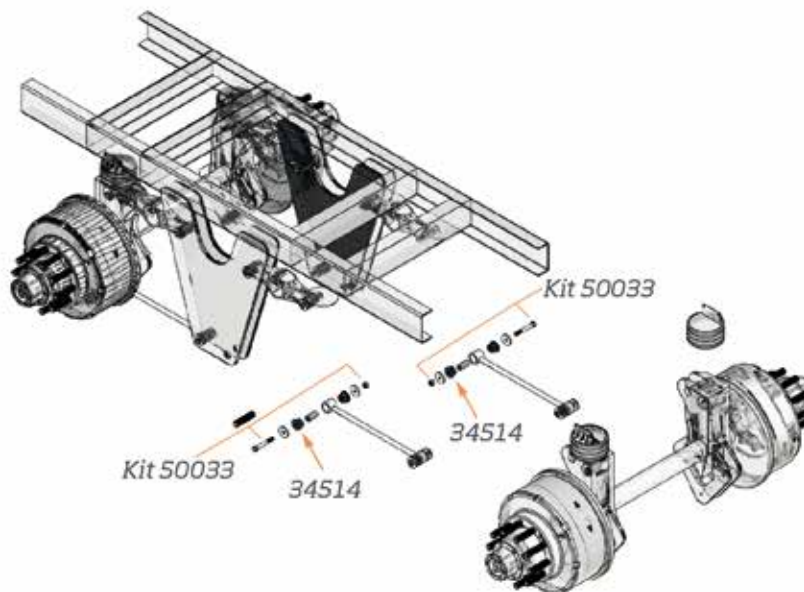
Suspensión Estándar DG002



Códigos GAFF 13542, 13599, 13772

MPA 38 / 40

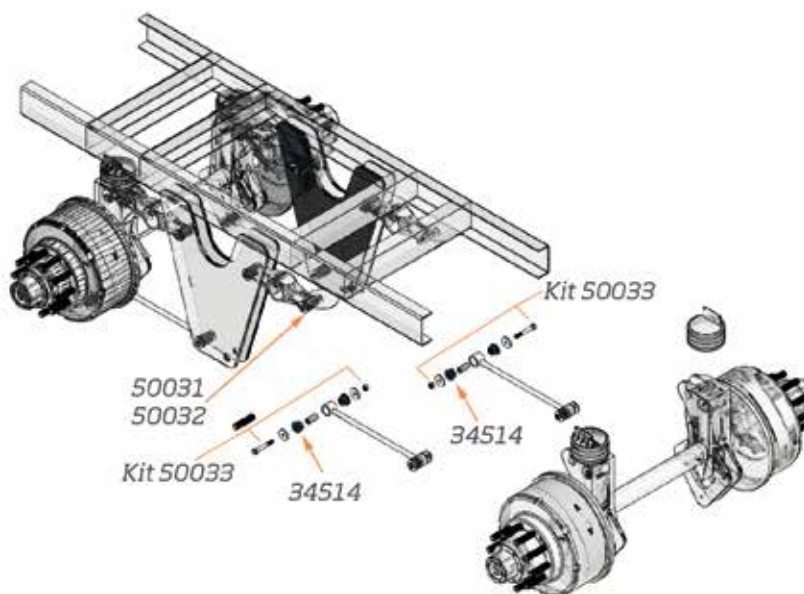
DG003



Códigos GAFF 34514, 50033

RHP

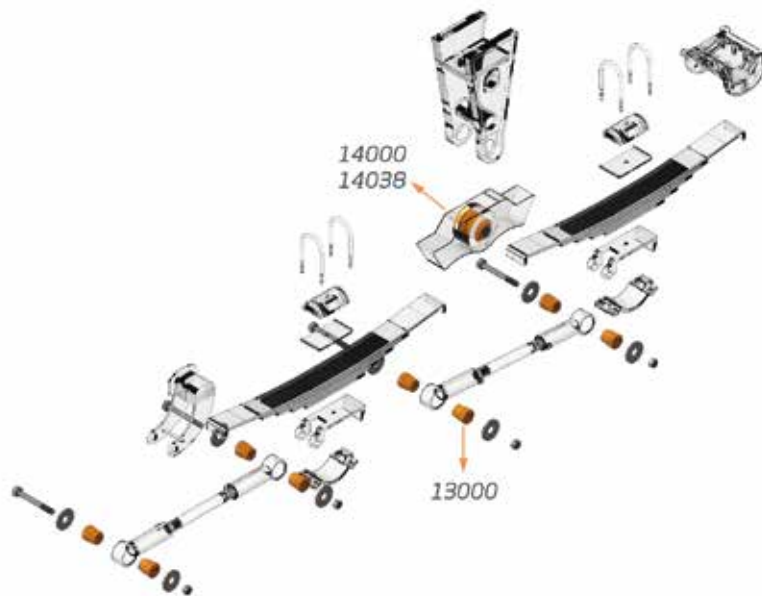
DG004



Códigos GAFF 34514, 50031, 50032, 50033

H-9700 / CH-9700 CAST

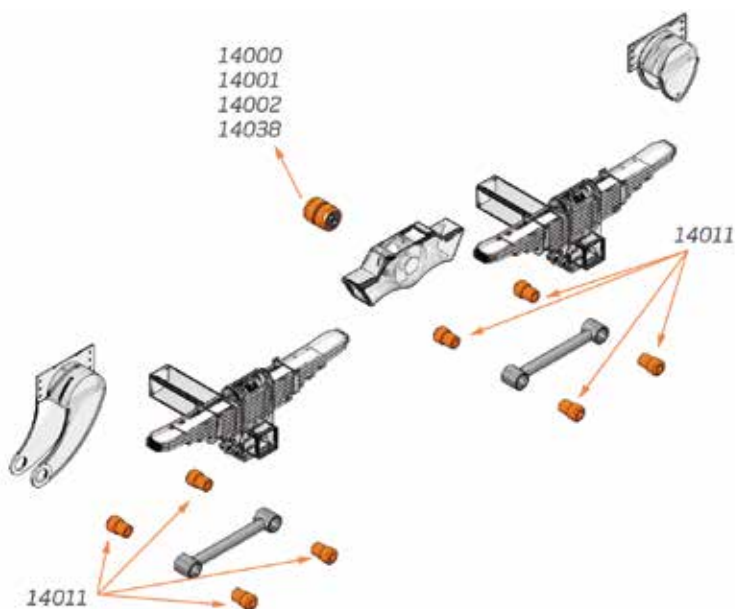
DG007



Códigos GAFF 13000, 14000, 14038

Series H-2200 / H-2300

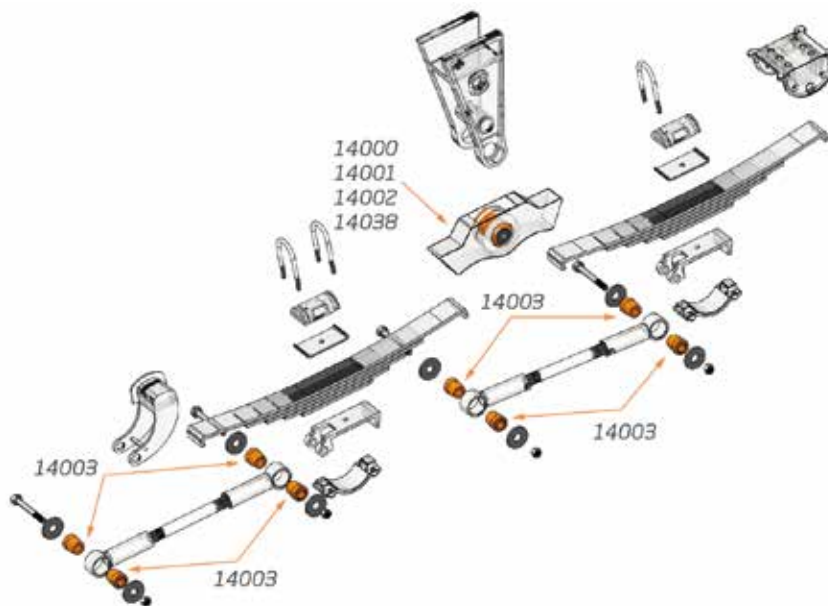
DG058



Códigos GAFF 14000, 14001, 14002, 14011, 14038

Series H-9600 / CH-9600(cast) / H-7600 / CH-7600(cast)

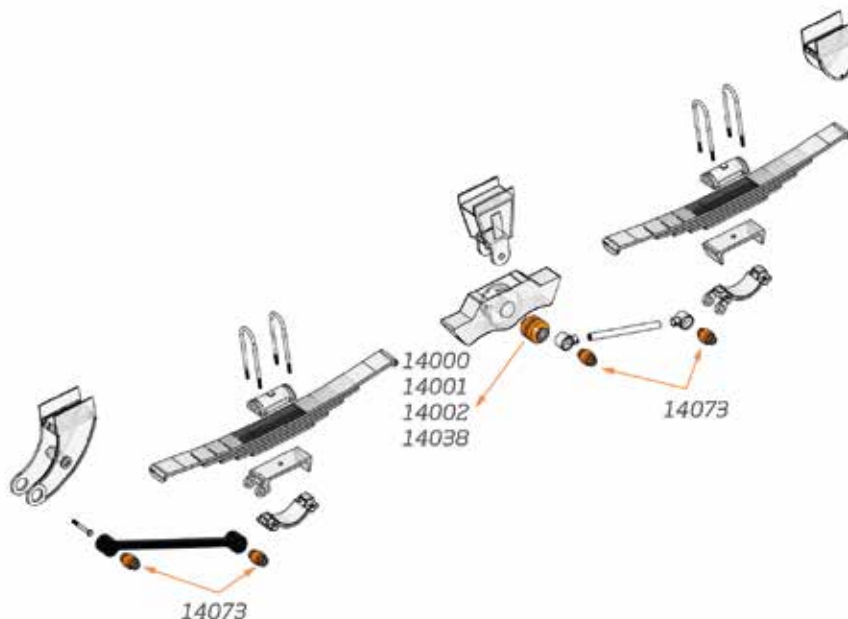
DG059



Códigos GAFF 14000, 14001, 14002, 14003, 14038

Series H-9700/H 9700 TWS / CH 9700(cast)/TWS 54.5/ 61 / 73

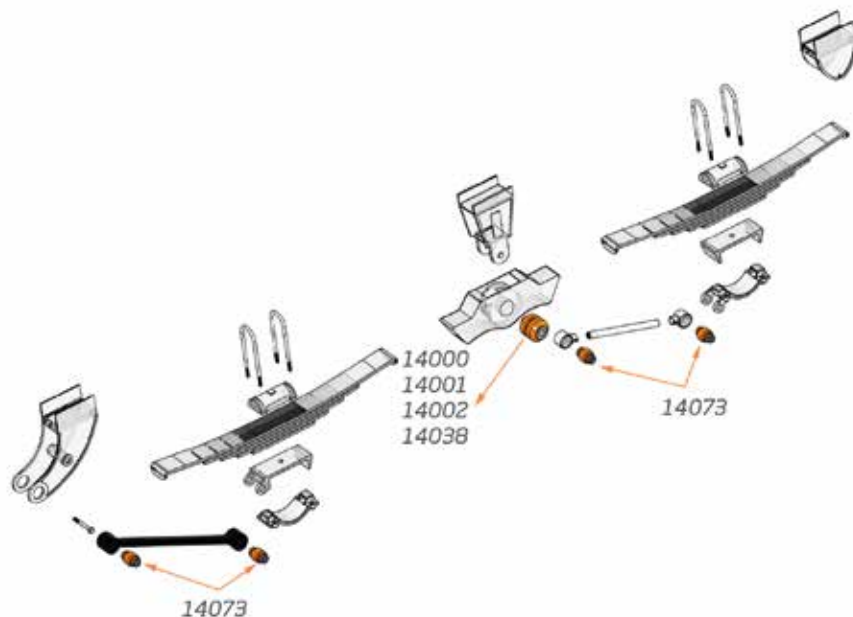
DG060



Códigos GAFF 14000, 14001, 14002, 14038, 14073

**Serie H-9700 / CH-9700 /
H7700 / CH-7700**

DG061

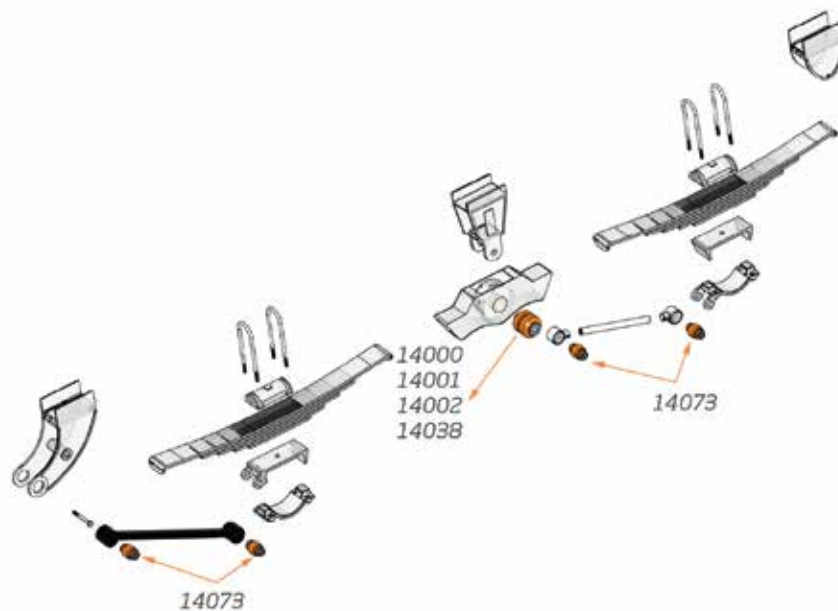


Códigos GAFF

14000, 14001, 14002, 14038, 14073

**Serie H-9700 / CH-9700 /
CAST TWS 109 / 121**

DG064

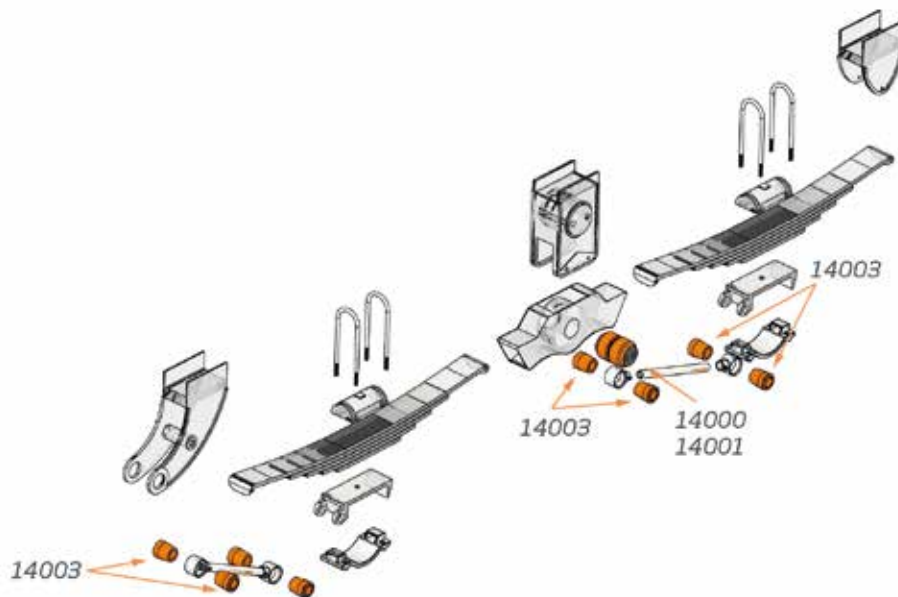


Códigos GAFF

14000, 14001, 14002, 14038, 14073

4 Muelles

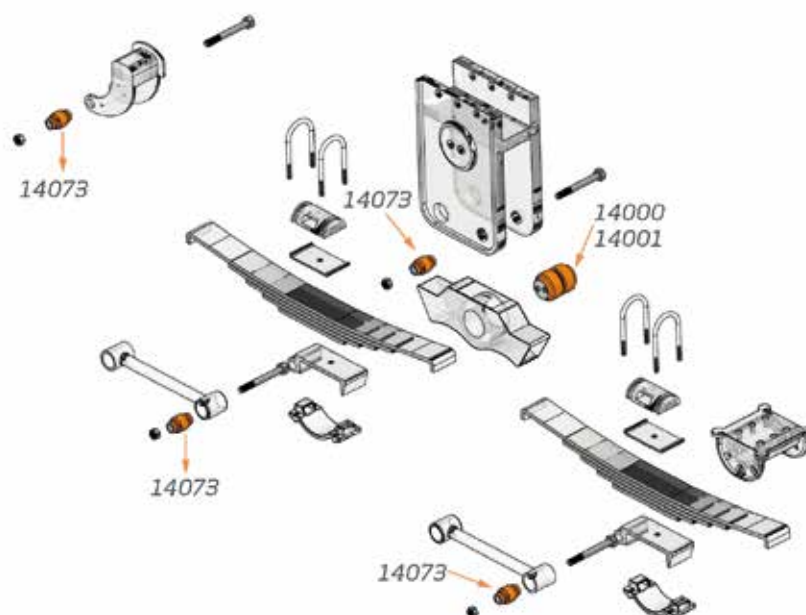
DG124



Códigos GAFF 14000, 14001, 14003

4 Muelles Estándar

DG127



Códigos GAFF 14000, 14001, 14073

Buje para Barra de Torsión

31000

Torque Rod Bushing



	Inch	mm
OD	3 19/32	91.28
HO	9/16	14.29
LG C-C	4 15/16	125.41



Herramienta: 18835 Utiliza: 6
 Diagrama: Relacionado: 32007,
 Modelo: F10/F12/F16/ 32008, 31016
 FL6/FL7
 Año:

OEM# 1598 588

Suspensión

Caterpillar

Soporte para Motor

18786

Motor Mount Kit



	Inch	mm
ID	1 15/32	37.31
OD	3 7/16	87.31



Herramienta: Utiliza: 2
 Diagrama: Relacionado: 12046
 Modelo: Detroit Serie 60
 Año:

OEM#

Motor

Buje para Barra de Torsión Torque Rod Bushing

11739



	Inch	mm
ID	2 19/32	65.88
OD	4 1/4	107.95
LG	4 5/32	105.57
OD<	3 1/2	88.90



Herramienta: Utiliza: 8
Diagrama: DG005, DG006 Relacionado: 18921
Modelo: Series 700 / Series 800 / Series 1000 Año:

OEM#800010

Soporte de Carga para Muelle Load Spring

11740



	Inch	mm
ID	2	50.80
OD	9 1/4	234.95
LG	8	203.20



Herramienta: Utiliza: 4
Diagrama: DG005, DG006 Relacionado: 11739, 18919, 18919
Modelo: Series 700 / Series 800 / Series 1000 Año: 2000

OEM#15002

Buje para Barra de Torsión Torque Rod Bushing

18919



	Inch	mm
ID	2 3/8	60.33
OD	3 21/32	92.87
LG	3 3/4	95.25
OD<	3 9/16	90.49



Herramienta: Utiliza: 18
Diagrama: DG005, DG006 Relacionado: 18920
Modelo: Año:

OEM#22082

Buje para Barra de Torsión Torque Rod Bushing

18920



	Inch	mm
ID	2 3/8	60.33
OD	3 21/32	92.87
LG	3 3/4	95.25
OD<	3 3/16	80.96



Herramienta: Utiliza: 16
Diagrama: DG005, DG006 Relacionado: 18919
Modelo: Series 700, Series 800 Año:

OEM#22128 / 22129

Buje para Barra de Torsión Torque Rod Bushing

18921



	Inch	mm
ID	2 1/2	63.50
OD	4 1/2	114.30
LG	4 9/32	108.74
OD<	3 9/16	90.49

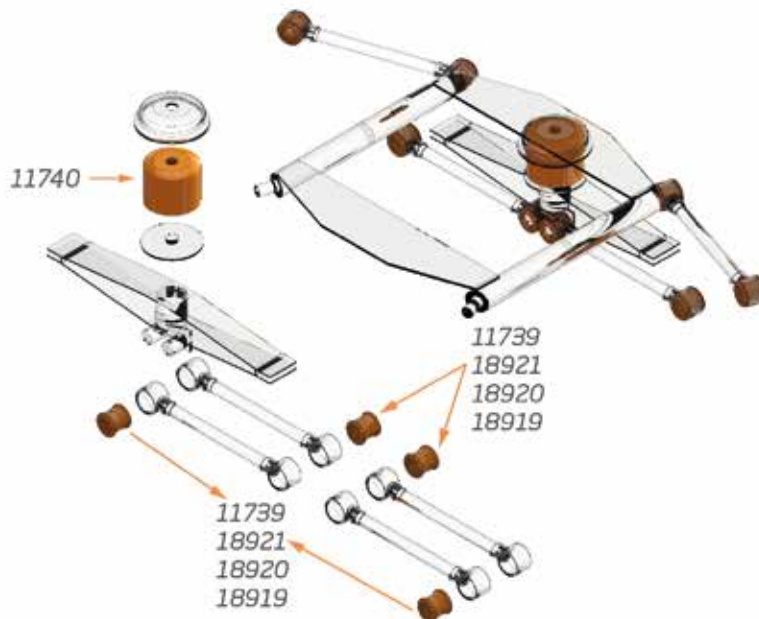


Herramienta: Utiliza: 16
Diagrama: DG005, DG006 Relacionado: 11739
Modelo: Año:

OEM#800009

Serie 700

DG005

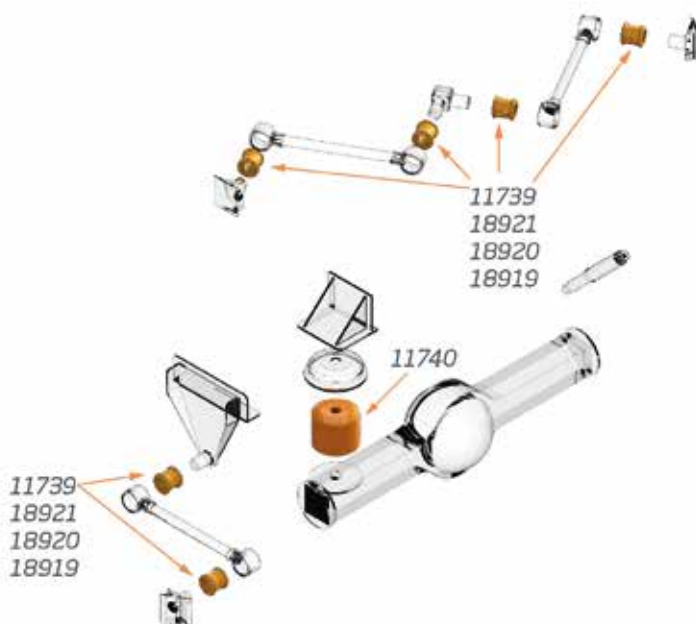


Códigos GAFF

11739, 11740, 18919, 18920, 18921

Serie 1000

DG006



Códigos GAFF

11739, 11740, 18919, 18920, 18921

Kit Soporte Delantero para Motor

Motor Mount Kit, Front

16035



A4

	Inch	mm
ID	5/8	15.88
OD	3 25/32	96.04
LG	2 1/2	63.50



Componentes

1 Pz. Soporte Superior para Motor / 1 Qty. Upper Motor Mount
1 Pz. Soporte Inferior para Motor / 1 Qty. Lower Motor Mount

Herramienta: Utiliza: 2
Diagrama: Relacionado: 18847
Modelo: Kodiak
Año:

OEM# 15624948

Soporte Trasero para Motor

Motor Mount, Rear

18847



A3

	Inch	mm
ID	5/8	15.88
OD	4	101.60
LG	3 1/16	77.79



Herramienta: Utiliza: 2
Diagrama: Relacionado: 16035
Modelo:
Año:

OEM#

Soporte para Sobre Carga

Booster Spring

16039



B

	Inch	mm
ID	1	25.40
OD	3 9/16	90.49
LG	3 5/8	92.08



Herramienta: Utiliza: 1
Diagrama: Relacionado: 16040
Modelo:
Año:

OEM# 15574846

Buje para Barra Estabilizadora

Sway Bar Bushing

16040



B

	Inch	mm
ID	1 13/16	46.04
OD	3 15/32	88.11
LG	3 5/32	80.17



Herramienta: Utiliza: 2
Diagrama: Relacionado: 40064, 16044
Modelo: Kodiak
Año: 1990-2009

OEM# 15588632

Buje para Amortiguador

Shock Absorber Bushing

16044



B

	Inch	mm
ID	9/16	14.29
OD	1 1/2	38.10
LG	1 11/32	34.13



Herramienta: Utiliza: 4
Diagrama: Relacionado: 16040
Modelo: Silverado
Año: 2008

OEM# M053004

Tope para Suspensión

Bump Stop

18342



B

	Inch	mm
ID	5/32	3.97
OD	2 7/32	56.36
LG	5 15/16	150.81



Herramienta: Utiliza: 4
Diagrama: Relacionado:
Modelo: Sach
Año:

OEM#

Buje para Barra Estabilizadora

Sway Bar Bushing

40064



B

	Inch	mm
ID	1 7/16	36.51
LG	3 1/4	82.55



Herramienta: Utiliza: 2
Diagrama: Relacionado: 16040
Modelo: Kodiak
Año: 2004

OEM# 15574754

Buje para Amortiguador

Shock Absorber Bushing

40236



B

	Inch	mm
ID	25/32	19.84
OD	1 19/32	40.48
LG	1 3/4	44.45



Herramienta: Utiliza: 4
Diagrama: Relacionado: 40064
Modelo:
Año:

OEM#

Motor

Suspensión

Motor

Acople para Bomba de Inyección

Coupling For Injection Pump

17509



B

	Inch	mm
ID	1 9/32	32.54
OD	3 5/16	84.14
TK	15/16	23.81



Herramienta: Utiliza: 1
 Diagrama: Relacionado: 17510
 Modelo: Cummins
 Año:

OEM#

Acople para Bomba de Inyección

Coupling For Injection Pump

17510



A4

	Inch	mm
ID	1 1/16	26.99
OD	2 29/32	73.82
TK	23/32	18.26



Herramienta: Utiliza: 1
 Diagrama: Relacionado: 17509
 Modelo: Cummins
 Año:

OEM#

Dina Bus

Motor

Soporte para Compresor

Compressor Mount

30511



B

	Inch	mm
LG	4	101.60
WD	1 3/4	44.45
H	2 17/32	64.29
THD	1/2-20 UNF	



Herramienta: Utiliza: 2
 Diagrama: Relacionado:
 Modelo:
 Año:

OEM#

Soporte para Motor

Motor Mount

30510



B

	Inch	mm
ID	3/4	19.05
OD	2 13/16	71.44
LG	1	25.40



Herramienta: Utiliza: 2
 Diagrama: Relacionado: 30511
 Modelo:
 Año:

OEM# 5526-06

Soporte Trasero para Motor

Motor Mount, Rear

30516



A5

	Inch	mm
ID	1	25.40
OD	5 19/32	142.08
LG	6 25/32	172.24
WD	5 29/32	150.02
H	4 3/32	103.98
HO	7/16	11.11
LGC-C	5 21/32	143.67



Herramienta: Utiliza: 2
 Diagrama: Relacionado: 30517, 30518, 30518
 Modelo: Serie 60
 Año:

OEM# 17/1550, 10-00524-XX

Soporte Delantero para Motor

Motor Mount, Front

30517



A3

	Inch	mm
ID	1 13/32	35.72
OD	3 7/8	98.43
LG	6 1/4	158.75
H	1 3/4	44.45
HO	19/32	15.08
LGC-C	5 1/8	130.18
OD<	3 9/16	90.49



Herramienta: Utiliza: 2
 Diagrama: Relacionado: 30516, 30518, 30518
 Modelo: Serie 60
 Año:

OEM# 17-1780

Soporte para Motor

Motor Mount

30518



A3

	Inch	mm
ID	11/16	17.46
OD	2 13/32	61.12
LG	2 1/32	16.67



Herramienta:

Utiliza: 2

Diagrama:

Relacionado: 30516,

Modelo: Serie 60

30517, 30517

Año:

OEM#

Motor

Dina Truck

Soporte para Cabina

Cab Mount

10005



B

	Inch	mm
ID	5/8	15.88
OD	2 7/8	73.03
LG	2 23/32	69.06
OD<	1 3/4	44.45



Herramienta:

Utiliza: 2

Diagrama:

Relacionado: 30504

Modelo: 9400

Año:

OEM# 80446

Soporte para Escape

Exhaust Mount

30504



B

	Inch	mm
ID	17/32	13.49
OD	2 11/32	59.53
LG	1 11/16	42.86
OD<	1 1/4	31.75



Herramienta:

Utiliza: 2

Diagrama:

Relacionado: 10005

Modelo:

Año:

OEM#

Cabina

Escape

Soporte para Motor

Motor Mount

10018



A4

	Inch	mm
ID	1 31/32	50.01
OD	3	76.20
LG	5/8	15.88
H	2 5/32	54.77



Herramienta:

Utiliza: 2

Diagrama:

Relacionado: 10019

Modelo:

Año:

OEM# J6210-49 / J6210-41,
753997C93 / 753997C92 /
753997C91

Soporte para Motor

Motor Mount

10019



A4

	Inch	mm
ID	5/8	15.88
OD	3	76.20
LG	2 5/32	54.77
OD<	1 13/16	46.04



Herramienta:

Utiliza: 2

Diagrama:

Relacionado: 10018

Modelo:

Año:

OEM# 753997C93

Motor

Suspensión

Buje para Horquilla Control Arm Bushing

30505



	Inch	mm
ID	1 3/32	27.78
OD	2 13/16	71.44
LG	1 19/32	40.48
OD<	1 13/16	46.04



Herramienta: Utiliza: 8
Diagrama: Relacionado: 30539
Modelo: Avante
Año:

OEM# 71085-180

Buje para Amortiguador Shock Absorber Bushing

30539



	Inch	mm
ID	3/4	19.05
OD	1 15/16	49.21
LG	15/16	23.81
OD<	1 1/2	38.10



Herramienta: Utiliza: 4
Diagrama: Relacionado: 30507,
30545, 30545
Modelo:
Año:

OEM#

Soporte para Muelle Spring Mount

30559



	Inch	mm
LG	5 11/16	144.46
WD	3 17/32	89.69
HO	13/32	10.32



Herramienta: Utiliza: 1
Diagrama: Relacionado: 10035
Modelo: CITUS / Navistar
Corporate / Tandem Acles
Año: 93-94

OEM# 571960C1

Buje para Amortiguador Shock Absorber Bushing

31017



	Inch	mm
ID	1	25.40
OD	2 3/32	53.18
LG	1 1/8	28.58
OD<	1 1/2	38.10



Herramienta: Utiliza: 8
Diagrama: DG129
Modelo: Relacionado: 30507,
30545, 30545
Año:

OEM# 1134962, 308852

Buje para Barra de Torsión para Radiador Radiator Torque Rod Bushing

10035



	Inch	mm
ID	5/8	15.88
OD	1 3/4	44.45



Herramienta: Utiliza: 2
Diagrama: Relacionado: 30559
Modelo: 861
Año:

OEM# 200106R1

Temperatura

Guía para Cofre Hood Pin

10507



	Inch	mm
OD	2 9/32	57.94
LG	1 3/4	44.45
BOLT	5/16 - 18	UNC



Herramienta: Utiliza: 2 OEM#
Diagrama: Relacionado:
Modelo:
Año:

Buje para Barra de Torsión Torque Rod Bushing

13519



	Inch	mm
OD	3 19/32	91.28
HO	2 1/32	16.67
LG C-C	4 3/8	111.13



Herramienta: Utiliza: 4 OEM# 32174-000
Diagrama: Relacionado: 10020
Modelo:
Año:

Cofre
Suspensión

Fontaine

Buje para Quinta Rueda Fifth Wheel Bushing

10002



	Inch	mm
ID	1 1/4	31.75
OD	4	101.60
LG	2 1/4	57.15



Herramienta: Utiliza: 2 OEM# BSH-150
Diagrama: DG008, Relacionado: 40141,
DG009, DG010, DG011 10079, 10079
Modelo: TPL 3000, Año:
6000 / 7000 / 7000 CC

Buje para Quinta Rueda Fifth Wheel Bushing

10079



	Inch	mm
ID	1 1/4	31.75
OD	3 1/32	76.99
LG	2 11/16	68.26



Herramienta: Utiliza: 2 OEM# BSH-109-L,
Diagrama: DG009 Relacionado: 10002, BSH-172-U, BSH-LWS-L,
Modelo: MTB; LWS Serie 40141, 40141 FNTBSH109L, FNTBS -
/ TPL 6000 / 7000 / 7000 CC Año: H172U

Quinta Rueda

Kit Bujes para Quinta Rueda Fifth Wheel Bushing Kit

10082



Componentes

2 Pzs. 10079 Buje para Quinta Rueda /
2 Qty. 10079 Fifth Wheel Bushing



Herramienta: Utiliza: 1 OEM# BSH-109-L
Diagrama: DG009 Relacionado: 10079,
10002, 10002
Modelo: Series Fith Wheel Año: 2008

Kit Bujes para Quinta Rueda Fifth Wheel Bushing Kit

40141



Componentes

2 Pzs. 10002 Buje / 2 Qty. 10002 Bushing
2 Pzs. 40141 PG Perno / 2 Qty. 40141 PG Pin
2 Pzs. 40141 SG Seguro / 2 Qty. 40141 SG Lock Pin
2 Pzs. CH40141 Chaveta / 2 Qty. CH40141 Cotter Pin



Herramienta: Utiliza: 1 OEM# BSH-150
Diagrama: DG008, Relacionado: 10002,
DG010, DG011 10079, 10079
Modelo: Serie TPL 3000
Año: 2006-2012

TPL 3000

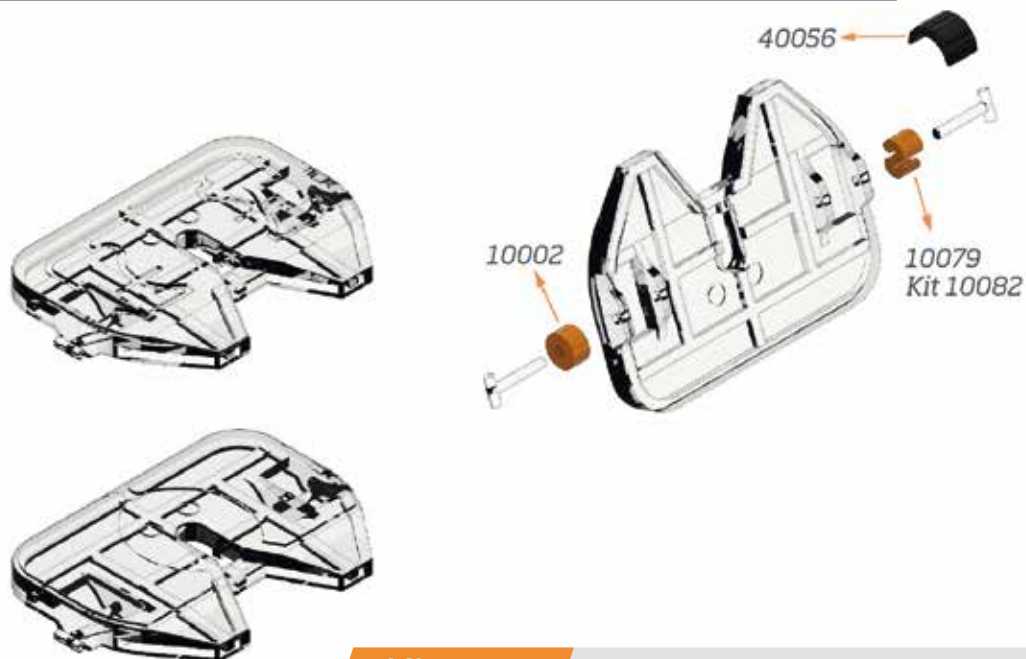
DG008



Códigos GAFF 10002, 40141

Serie TPL 6000 / 7000 / 7000CC

DG009



Códigos GAFF 10002, 10079, 10082, 40056

Serie CD 700/ 600

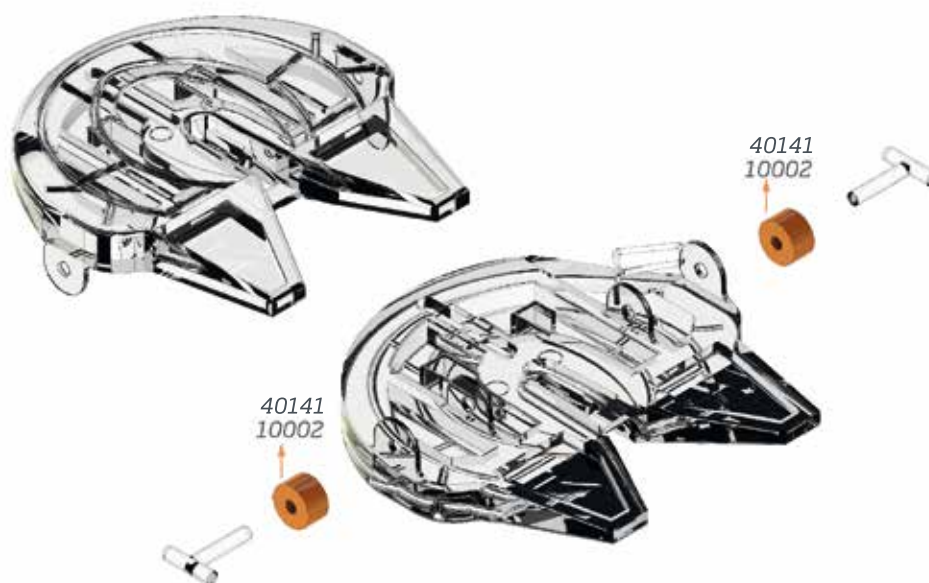
DG010



Códigos GAFF 10002, 40141

H-5092 / X-5092

DG011



Códigos GAFF 10002, 40141

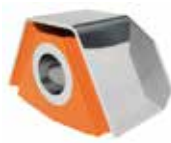
Motor

Soporte para Motor Motor Mount

12323



	Inch	mm
ID	1 1/2	38.10
LG	6 1/16	153.99
WD	2 23/32	69.06



Herramienta: Utiliza: 2
Diagrama: Relacionado: 34526
Modelo:
Año:

OEM# BCD283172

Suspensión

Buje para Balancín Equalizer Bushing

13526



	Inch	mm
ID	1	25.40
OD	2 3/4	69.85
LG	4 3/8	111.13



Herramienta: Utiliza: 2
Diagrama: DG040, Relacionado: 11747, DG044, 13512, 13512
Modelo: Series E4-360/ Año:
400

OEM# 47420, 48402, 48932, E4HZ5872A

Tope para Suspensión Bump Stop

17294



	Inch	mm
ID	4 3/16	106.36
OD	4 21/32	118.27
LG	3	76.20



Herramienta: Utiliza:
Diagrama: Relacionado:
Modelo:
Año:

OEM#

Cabina

Soporte para Cabina y Camarote Cab & Cabin Mount

11007



	Inch	mm
ID	5/8	15.88
OD	3	76.20



Herramienta: Utiliza: 2
Diagrama: Relacionado:
Modelo:
Año:

OEM#

Soporte Inferior para Cabina Cab Mount (Lower)

11008



	Inch	mm
ID	1 3/16	30.16
OD	3 3/4	95.25
LG	1 5/16	33.34



Herramienta: Utiliza: 2
Diagrama: Relacionado: 11009
Modelo: FLD / CLASSIC.
Año:

OEM# A6818910001, 681-891-00-01, LORS-B3310017A

Soporte Delantero Superior para Cabina

Cab Mount, Front (Upper)

11009



A2

	Inch	mm
ID	3/4	19.05
OD	3 25/32	96.04
LG	2 9/16	65.09
OD <	2 17/32	64.29



Herramienta: Utiliza: 2
 Diagrama: Relacionado: 11008
 Modelo:
 Año:

OEM# 681-890-00-01,
 LORSB33310017B,
 A6818900001

Soporte Delantero para Cabina

Cab Mount, Front

11075



A3

	Inch	mm
ID	2 1/32	16.67
OD	3 25/32	96.04
LG	3 1/8	79.38



Herramienta: 11079 Utiliza: 2
 Diagrama: Relacionado: 11092,
 11110, 11110, 11138
 Modelo: Columbia /
 Century / Coronado
 Año: 2008

OEM# 18-34678-000,
 18-41005-000, 18-42727-000,
 LORD BJ-1769, BJ-17699

Kit Soporte para Cabina

Cab Mount Kit

11086



B

	Inch	mm
BOLT	3/4-16 UNF	

Componentes

2 Pzs. 11008 Soporte Inferior para Cabina / 2 Qty. 11008 Cab Mount (Lower)
 2 Pzs. 11009 Soporte Delantero Superior para Cabina / 2 Qty. 11009 Cab Mount, Front (Upper)
 1 Pz. HT00015-1 Tornillo / 1 Qty. HT00015-1 Bolt
 1 Pz. HT00016-2 Tuerca / 1 Qty. HT00016-2 Nut
 1 Pz. HL110 Arandela / 1 Qty. HL110 Washers



Herramienta: Utiliza: 1
 Diagrama: Relacionado: 11008,
 11009, 11009
 Modelo:
 Año:

OEM# 681 890 00 01, 681
 891 00 01

Kit Soporte para Cabina

Cab Mount Kit

11092



B

	Inch	mm
BOLT	5/8-18 UNF	

Componentes

2 Pzs. 11110 Soporte Inferior para Cabina / 2 Qty. 11110 Cab Mount (Lower)
 2 Pzs. HT00025-6 Tornillo / 2 Qty. HT00025-6 Bolt
 2 Pzs. HT00027-2 Tuerca / 2 Qty. HT00027-2 Nut
 2 Pzs. HV18550 Arandela / 2 Qty. HV18550 Washers



Herramienta: Utiliza: 1
 Diagrama: Relacionado: 11075,
 11110, 11110, 11138
 Modelo:
 Año:

OEM# 1845384000,
 A1844009000

Kit Soporte para Cabina

Cab Mount Kit

11093



A3

Componentes

1 Pz. 11008 Soporte Inferior para Cabina / 1 Qty. 11008 Cab Mount (Lower)
 1 Pz. 11009 Soporte Delantero Superior para Cabina / 1 Qty. 11009 Cab Mount, Front (Upper)



Herramienta: Utiliza: 2
 Diagrama: Relacionado: 11008,
 11009, 11009
 Modelo:
 Año:

OEM# LORSB33310017,
 L6818900001

Soporte para Cabina

Cab Mount

11108



A4

	Inch	mm
ID	3/4	19.05
OD	3 11/16	93.66
LG	6 5/8	168.28
WD	3 1/8	79.38
H	3 5/16	84.14
LGC-C	4 1/2	114.30
THD	5/8-11 UNC	



Herramienta: Utiliza: 2
 Diagrama: Relacionado: 11127
 Modelo: Century
 Año: 2007

OEM#

Soporte para Cabina

Cab Mount

11110



A5

	Inch	mm
BOLT	5/8-18 UNF	

Componentes

1 Pz. 11075 Soporte Delantero para Cabina / 1 Qty. 11075 Cab Mount, Front
 1 Pzs. Tornillo / 1 Qty. Bolt
 1 Pzs. Tuerca / 1 Qty. Nut
 1 pzs. Arandela / 1 Qty. Washers



Herramienta: Utiliza: 2
 Diagrama: Relacionado: 11075,
 11092, 11092, 11138
 Modelo:
 Año:

OEM# 1845384000,
 18-44009-000,
 A1844009000, BJ-1769

Soporte para Cabina

Cab Mount

11111



B

	Inch	mm
THR	1/2-13 UNC	



Herramienta: Utiliza: 2
 Diagrama: Relacionado:
 Modelo:
 Año:

OEM# 6808910401, 68-
 08910-401

Soporte para Cabina Cab Mount

11114



B

	Inch	mm
ID	9/16	14.29
LG	4 3/32	103.98
WD	2 29/32	73.82
H	1 25/32	45.24
HO	5/16	7.94
LGC-C	1 11/16	42.86



Herramienta: Utiliza: 2
Diagrama: Relacionado: 11075
Modelo:
Año:

OEM#

Barra de Torsión para Cabina Torque Rod Cab

11122



B

	Inch	mm
ID	1 3/8	34.93
LGC-C	15 1/8	384.18



Herramienta: Utiliza: 2
Diagrama: Relacionado: 11132
Modelo: Columbia
Año: 2008

OEM# 18-46890-000

Soporte para Cabina Cab Mount

11127



A2

	Inch	mm
ID	5/8	15.88
OD	2 21/32	67.47
LG	3 1/2	88.90
OD<	2 19/32	65.88



Herramienta: 11143 Utiliza: 2
Diagrama: Relacionado: 11108, 11178, 11178
Modelo: Coronado / M2 / Cascadia
Año: 2008-2015

OEM# 18-59922-000

Soporte para Cabina Cab Mount

11128



B

	Inch	mm
ID	5/8	15.88
OD	2 27/32	72.23
LG	3 1/2	88.90
WD	2 5/8	66.68



Herramienta: 11167 Utiliza: 2
Diagrama: Relacionado: 11131
Modelo: Columbia/M2
Año: 2010

OEM# 18-47463-000

Soporte para Cabina Cab Mount

11131



A4

	Inch	mm
ID	21/32	16.67
OD	3 3/4	95.25
LG	3 1/2	88.90



Herramienta: Utiliza: 2
Diagrama: Relacionado: 11075, 11092, 11092, 11138
Modelo: Century 112 / Century 120 / Columbia 120
Año: 2007-2008

OEM#

Buje para Barra de Torsión de Cabina Torque Rod Bushing Cab

11132



A3

	Inch	mm
ID	5/8	15.88
OD	1 7/16	36.51
LG	1 31/32	50.01



Herramienta: Utiliza: 2
Diagrama: Relacionado: 11122
Modelo: Columbia
Año: 2008

OEM#

Kit Soporte para Cabina Cab Mount Kit

11138



B

BOLT 5/8-18 UNF mm

Componentes

- 1 Pz. 11131 Soporte para Cabina / 1 Qty. 11131 Cab Mount
- 1 Pz. HT00025-6 Tornillo / 1 Qty. HT00025-6 Bolt
- 1 Pz. HT00027-2 Tuerca tipo Gripco / 1 Qty. HT00027-2 Nylon Insert Nut
- 1 Pz. HV18550 Arandela / 1 Qty. HV18550 Washer
- 1 Pz. PHM10080 Base de Acero / 1 Qty. PHM10080 Steel Base



Herramienta: Utiliza: 2
Diagrama: Relacionado: 11075, 11092, 11092, 11131
Modelo: Century 112 / Century 120 / Columbia 120
Año: 2007-2008

OEM# 1845384000

Soporte para Cabina Cab Mount

11172



A2

	Inch	mm
ID	5/8	15.88
OD	3	76.20
LG	1 13/16	46.04
OD<	2	50.80



Herramienta: Utiliza: 2
Diagrama: Relacionado:
Modelo:
Año: 2008

OEM# J6210-46

Buje para Barra de Torsión de Cabina

Torque Rod Bushing Cab

11173



	Inch	mm
ID	17/32	13.49
OD	1 3/8	34.93
LG	2 3/32	53.18



Herramienta: Utiliza: 2
 Diagrama: Relacionado: 11132
 Modelo: M2
 Año: 2015

OEM#

Soporte para Cabina

Cab Mount

11178



	Inch	mm
ID	5/8	15.88
LG	6 9/32	159.54
WD	3 1/2	88.90
H	4 1/4	107.95
HO	21/32	16.67
LG C-C	4 17/32	115.09



Herramienta: Utiliza: 2
 Diagrama: Relacionado: 11127
 Modelo: Coronado / M2 / Cascadia
 Año: 2008-2015

OEM# 18-59922-000

Buje para Bisagra de Cofre

Hood Hinge Bushing

11019



	Inch	mm
ID	1/2	12.70
OD	1 3/8	34.93
LG	2 3/16	55.56



Herramienta: Utiliza: 2
 Diagrama: DG016, DG018
 Modelo: FLD-120
 Año:

OEM# J17700-5, LORJ17002, J17002

Guía para Cofre

Hood Pin

11020



	Inch	mm
ID	1/2	12.70
OD	4	101.60
LG	3	76.20
OD<	1 7/8	47.63



Herramienta: Utiliza: 2
 Diagrama: DG016, DG018
 Modelo: FLD-120
 Año:

OEM# A17-10464-001

Gancho para Cofre

Hood Latch

11096



	Inch	mm
LG	4 7/8	123.83
WD	2 3/32	53.18
H	1	25.40
HO	7/32	5.56
LG C-C	1 1/4	31.75



Herramienta: Utiliza: 2
 Diagrama: Relacionado: 11102, 11104, 11104
 Modelo: FLD Classic
 Año: 2003-2008

OEM# 17-12434-000

Base para Gancho de Cofre

Base Hook Left Chest

11097



	Inch	mm
LG	3 9/16	90.49
WD	1	25.40
H	2 1/8	53.98
HO	7/32	5.56
TK	3/16	4.76



Herramienta: Utiliza: 2
 Diagrama: DG016
 Modelo: FL-120
 Año:

OEM# 8574 FL, 1431 000, 87002, 67101-3418, 6818872414

Base para Gancho de Cofre

Base Hook Left Chest

11098



	Inch	mm
LG	3	76.20
WD	1 3/4	44.45
H	1 7/32	30.96
HO	9/32	7.14
LG C-C	1 1/4	31.75



Herramienta: Utiliza: 2
 Diagrama: Relacionado: 11103, 11109, 11109
 Modelo: M2
 Año: 2008

OEM#

Base para Gancho de Cofre

Base Hook Left Chest

11099



	Inch	mm
LG	5	127.00
WD	1	25.40
H	2 5/32	54.77
HO	9/32	7.14



Herramienta: Utiliza: 2
 Diagrama: Relacionado: 11097, 11098, 11098, 11102, 11103, 11104, 11105, 11106, 11107
 Modelo: FL-120
 Año: 2008

OEM#

Cabina

Cofre

Cofre

Base Derecha para Gancho de Cofre

Big Right Hook Chest Base

11100



A4

	Inch	mm
LG	5	127.00
WD	1 11/32	34.13
H	3 1/4	82.55
HO	9/32	7.14
LG C-C	4	101.60



Herramienta: Utiliza: 1
 Diagrama: Relacionado: 11097, 11098, 11098, 11102, 11103, 11104, 11105, 11106, 11107, 11109
 Modelo: Columbia
 Año: 2008

OEM#

Base Izquierda para Gancho de Cofre

Big Left Hook Chest Base

11101



A4

	Inch	mm
LG	5	127.00
WD	1 11/32	34.13
H	3 1/4	82.55
HO	9/32	7.14
LG C-C	4	101.60



Herramienta: Utiliza: 1
 Diagrama: Relacionado: 11097, 11098, 11098, 11102, 11103, 11104, 11105, 11106, 11107, 11109
 Modelo:
 Año:

OEM#

Gancho para Cofre

Hood Latch

11102



A2

	Inch	mm
LG	10 15/16	277.81



Herramienta: Utiliza: 2
 Diagrama: DG014, Relacionado: 11104, DG016 11105, 11105, 11107
 Modelo: Century Class
 Año:

OEM# 17-12434-000, 17-12438-000

Kit Gancho para Cofre

Hood Latch Kit

11103



A3

	Inch	mm
LG	11 5/8	295.28

Componentes

1 Pz. 11098 Base / 1 Qty. 11098 Hood Hinge
 1 Pz. 12365 Gancho para Cofre / 1 Qty. 12365 Hood Latch



Herramienta: Utiliza: 2
 Diagrama: DG019, Relacionado: 11098, 11109, 11109
 Modelo: M2 / FL70 / FL80 / FL90
 Año:

OEM# 680-880-01-60

Kit Gancho Izquierdo para Cofre

Hood Latch Left Kit

11104



A3

	Inch	mm
LG	11 1/4	285.75

Componentes

1 Pz. 11099 Base / 1 Qty. 11099 Hood Hinge
 1 Pz. 11102 Gancho para Cofre / 1 Qty. 11102 Hood Latch



Herramienta: Utiliza: 1
 Diagrama: DG016, Relacionado: 11102, 11096, 11096
 Modelo: FL-120
 Año:

OEM# LH17-12435-000

Kit Gancho Derecho para Cofre

Hood Latch Right Kit

11105



A4

	Inch	mm
LG	11 1/4	285.75

Componentes

1 Pz. 11099 Base / 1 Qty. 11099 Hood Hinge
 1 Pz. 11102 Gancho para Cofre / 1 Qty. 11102 Hood Latch



Herramienta: Utiliza: 1
 Diagrama: DG016, Relacionado: 11102, 11096, 11096
 Modelo: FL-120
 Año:

OEM# RH17-12435-001

Kit Gancho Derecho para Cofre

Hood Latch Right Kit

11106



A4

	Inch	mm
LG	11 1/4	285.75

Componentes

1 Pz. 11100 Base / 1 Qty. 11100 Hood Hinge
 1 Pz. 11102 Gancho para Cofre / 1 Qty. 11102 Hood Latch



Herramienta: Utiliza: 1
 Diagrama: DG014, Relacionado: 11097, 11107, 11107
 Modelo: Columbia
 Año:

OEM# 17-15553-001

Kit Gancho Izquierdo para Cofre

Hood Latch Left Kit

11107



A4

	Inch	mm
LG	11 1/4	285.75

Componentes

1 Pz. 11101 Base / 1 Qty. 11101 Hood Hinge
 1 Pz. 11102 Gancho para Cofre / 1 Qty. 11102 Hood Latch



Herramienta: Utiliza: 1
 Diagrama: DG014, Relacionado: 11097, 11106, 11106
 Modelo: Columbia
 Año:

OEM# 17-15553-000

Soporte para Cofre Hood Mount

11124

A3

	Inch	mm
LG	3 7/16	87.31
WD	1 27/32	46.83
H	2 1/4	57.15
LG C-C	1 5/8	41.28



Herramienta: Utiliza: 2
 Diagrama: Relacionado: 11145, 11020, 11020
 Modelo: Columbia
 Año: 2008

OEM# A17-13666-000

Soporte para Cofre Hood Mount

11145

B

	Inch	mm
LG	3 7/16	87.31
WD	1 13/16	46.04
H	4	101.60
LG C-C	1 11/16	42.86



Herramienta: Utiliza: 2
 Diagrama: Relacionado: 11124, 11020, 11020
 Modelo: Columbia
 Año: 2011

OEM# A17-15140-000

Kit Gancho para Cofre Hood Latch Kit

11176

B

LG	Inch	mm
	10 15/16	277.81

Componentes

- 1 Pz. 11102 Gancho para Cofre / 1 Qty. 11102 Hood Latch
- 1 Pz. 11176 BA Base Metálica / 1 Qty. 11176 BA Metallic Base



Herramienta: Utiliza: 2
 Diagrama: Relacionado: 11101, 11102, 11102
 Modelo: FLD 120
 Año:

OEM# 17-12348-000, 7053

Guía para Cofre Hood Pin

11177

A2

	Inch	mm
ID	1/2	12.70
OD	4 13/32	111.92
H	3 1/32	76.99



Herramienta: Utiliza: 2
 Diagrama: Relacionado: 11149
 Modelo: Cascadia
 Año:

OEM# A17-20868-000, A18-59704-000

Gancho para Cofre Hood Latch

12365

A2

LG	Inch	mm
	8 7/8	225.43



Herramienta: Utiliza: 2
 Diagrama: DG019 Relacionado: 11134, 11109, 11109
 Modelo: M2
 Año: 1987-2011

OEM# L56-0001

Empaque para Tapón de Tanque Diésel Fuel Tank Cap Gasket

11070

A3

	Inch	mm
ID	2 7/16	61.91
OD	3 11/32	84.93
TK	3/16	4.76



Herramienta: Utiliza: 2
 Diagrama: Relacionado: 11120, 11140
 Modelo:
 Año:

OEM#

Empaque para Tapón de Tanque Diésel Fuel Tank Cap Gasket

11120

B

	Inch	mm
ID	2 3/16	55.56
OD	3 3/8	85.73
TK	1/8	3.18



Herramienta: Utiliza: 2
 Diagrama: Relacionado: 11070, 11140
 Modelo: Columbia
 Año: 2008

OEM#

Empaque para Tapón de Tanque Diésel Fuel Tank Cap Gasket

11140

B

	Inch	mm
ID	2	50.80
OD	2 1/2	63.50
TK	3/32	2.38



Herramienta: Utiliza: 2
 Diagrama: Relacionado: 11070, 11120, 11120, 31081
 Modelo: Columbia/M2
 Año: 2007

OEM#

Cofre

Empaque

Empaque

Escape

Motor

Empaque para Tapón de Tanque Diésel

Fuel Tank Cap Gasket

31081

 B

	Inch	mm
ID	2 13/32	61.12
OD	3 5/16	84.14
TK	5/32	3.97



Herramienta: Utiliza: 1
 Diagrama: Relacionado: 11070, 11120, 11120, 11140
 Modelo:
 Año: 2007-2011

OEM# 03-37017-000

Soporte para Escape

Exhaust Mount

12357

 A2

	Inch	mm
ID	13/32	10.32
OD	1 5/16	33.34

Componentes

1 Pz. Soporte Superior para Escape / 1 Qty. Upper Exhaust Mount
 1 Pz. Soporte Inferior para Escape / 1 Qty. Lower Exhaust Mount



Herramienta: Utiliza: 2
 Diagrama: Relacionado:
 Modelo: 330 / 335 / 367 / 377 / 378 / 379 / 386 / 367 / 389 / 579 / 587
 Año:

OEM# 14-14656 / 14-14656U

Soporte Delantero para Motor

Motor Mount, Front

10020

 A3

	Inch	mm
ID	5/8	15.88
OD	3	76.20
LG	2 7/32	56.36
OD<	2	50.80



Herramienta: Utiliza: 2
 Diagrama: Relacionado: 10023, 10075, 10075
 Modelo:
 Año:

OEM# 753997C93, 753997C92, 753997C91, J6210-49, J6210-41

Soporte Delantero para Motor

Motor Mount, Front

11016

 A3

	Inch	mm
ID	2 1/32	16.67
OD	2 19/32	65.88
LG	2 3/32	53.18
OD<	1 3/8	34.93



Herramienta: Utiliza: 2
 Diagrama: Relacionado: 11054, 11725, 11725, 11085, 11087
 Modelo:
 Año:

OEM# CBA, 24-650-17, QLORCBA2465017

Kit Soporte Delantero para Motor

Motor Mount Kit, Front

11018

 A2

	Inch	mm
ID	3/4	19.05
OD	3 1/4	82.55
LG	2 1/4	57.15

Componentes

1 Pz. Soporte Superior para Motor / 1 Qty. Upper Motor Mount
 1 Pz. Soporte Inferior para Motor / 1 Qty. Lower Motor Mount
 1 Pz. Espaciador / 1 Qty. Spacer Sleeve



Herramienta: Utiliza: 2
 Diagrama: DG021 Relacionado: 11054, 11725, 11725, 11065, 11087
 Modelo: FL-120 / FDL / CLASSIC
 Año:

OEM# 01-15047-000, LOR SSB33 1001 7, LOR SSB33 1001 8, SSB3310017, SSB3310018

Soporte Delantero para Motor

Motor Mount, Front

11054

 A3

	Inch	mm
ID	5/8	15.88
OD	2 19/32	65.88
LG	2 3/32	53.18
OD<	1 3/8	34.93



Herramienta: Utiliza: 2
 Diagrama: Relacionado: 11018, 11087, 11087, 11016, 11085
 Modelo:
 Año:

OEM#

Soporte Trasero para Motor

Motor Mount, Rear

11065

 A2

	Inch	mm
ID	2 1/32	16.67
LG	5 13/32	137.32
WD	2 3/8	60.33
H	3	76.20



Herramienta: Utiliza: 2
 Diagrama: Relacionado: 11088, 11018, 11018
 Modelo: FLD-112 / FLD-120 / M2 / Century / Columbia / XL
 Año:

OEM# J209413, J209414, J209415, J209416, J2094136, J2094167, LOR J2094416, LOR J20941 7, LOR J20941 3 6

Soporte para Motor

Motor Mount

11072

 A1

	Inch	mm
ID	25/32	19.84
LG	6 9/16	166.69
WD	2 9/16	65.09
H	1 7/8	47.63
LGC-C	4	101.60



Herramienta: Utiliza: 1
 Diagrama: Relacionado: 11073, 11074, 11074, 11089, 11090
 Modelo: Century Class / Columbia 120
 Año: 2000-2009

OEM# BCD 26704-1, BCD 28945-1

Soporte para Motor Motor Mount

11073


	Inch	mm
LG	7 1/4	184.15
WD	3 1/4	82.55
H	1 21/32	42.07
HO	3/4	19.05
LG C-C	4	101.60



Herramienta: Utiliza: 1
 Diagrama: Relacionado: 11072,
 11074, 11073, 11089,
 11090
 Modelo: Century Class /
 Columbia 120 / C112 Highway
 Año: 2000-2009

OEM#BCD 26751-1, BCD
 26751-2, BCD 26751-3

Kit Soporte Delantero para Motor Motor Mount Kit, Front

11074


Componentes

1 Pz. 11072 Soporte para Motor /
 1 Qty. 11072 Motor Mount
 1 Pz. 11073 Soporte para Motor /
 1 Qty. 11073 Motor Mount



Herramienta: Utiliza: 1
 Diagrama: Relacionado: 11072,
 11073, 11073, 11089,
 11090
 Modelo: Century Class /
 Columbia 120
 Año: 2000-2009

OEM#BCD 26704 1, BCD
 27651 3, BCD 27651-1,
 BCD 27651-2, BCD 28945-
 1, BCD 276511

Kit Soporte Trasero para Motor Motor Mount Kit, Rear

11077


	Inch	mm
ID	13/16	20.64
LG	9 7/8	250.83
WD	3	76.20
HO	9/16	14.29
LG C-C	8 5/16	211.14

Componentes

1 Pz. Soporte Superior para Motor / 1 Qty. Upper Motor Mount
 1 Pz. Soporte Inferior para Motor / 1 Qty. Lower Motor Mount



Herramienta: Utiliza: 2
 Diagrama: DG022,
 DG024
 Modelo: Columbia /
 Century / Coronado
 Año:

OEM#BCD 288051, BCD
 27330-1, BCD 27330-2

Kit Soporte para Motor Motor Mount Kit

11085


BOLT 5/8-18 UNF mm

Componentes

4 Pzs. 11725 Soporte Trasero para Motor / 4 Qty.
 11725 Motor Mount, Rear
 4 Pzs. HT00011-1 Tornillo / 4 Qty. HT00011-1 Bolt
 4 Pzs. HT00027-2 Tuerca / 4 Qty. HT00027-2 Nut
 16 Pzs. HV18550 Arandela / 16 Qty. HV18550
 Washers



Herramienta: Utiliza: 1
 Diagrama: Relacionado: 11018,
 11054, 11054, 11725
 Modelo: FLD / FLD-120
 Año:

OEM#CBA24-650-17

Kit Soporte para Motor Motor Mount Kit

11087


BOLT 3/4-16 UNF mm

Componentes

2 Pzs. 11018 Kit Soporte Delantero para Motor / 2
 Qty. 11018 Motor Mount Front Kit
 2 Pzs. HT00015-3 Tornillo / 2 Qty. HT00015-3 Bolt
 2 Pzs. HT00016-2 Tuerca / 2 Qty. HT00016-2 Nut
 4 Pzs. HL110 Arandela / 4 Qty. HL110 Washers



Herramienta: Utiliza: 1
 Diagrama: Relacionado: 11018,
 11088, 11088, 11016
 Modelo: FLD
 Año:

OEM#SSB3310017,
 SSB3310018, 01-15047-
 000, LOR SSB33 1001 7,
 LOR SSB33 1001 8

Kit Soporte Trasero para Motor Motor Mount, Rear Kit

11088


BOLT 5/8-18 UNF mm

Componentes

2 Pzs. 11065 Soporte Trasero para Motor / 2 Qty.
 11065 Motor Mount, Rear
 4 Pzs. HT00011-1 Tornillo / 4 Qty. HT00011-1
 Bolt
 4 Pzs. HT00027-2 Tuerca / 4 Qty. HT00027-2 Nut
 4 Pzs. HV18550 Arandela / 4 Qty. HV18550
 Washers



Herramienta: Utiliza: 1
 Diagrama: Relacionado: 11018,
 11087, 11087, 11016,
 11085
 Modelo: L20 / XL / FLD
 112 / Century / M2100
 Año:

OEM#LOR J20941-3-6,
 LOR J20941 7, J20941-4,
 J20941-6, J20941-7

Kit Soporte Trasero para Motor Motor Mount Kit, Rear

11089


BOLT 3/4-16 UNF mm

Componentes

2 Pzs. 11077 Soporte para Motor / 2 Qty. 11077
 Motor Mount
 2 Pzs. HT00016-2 Tornillo / 2 Qty. HT00016-2 Bolt
 2 Pzs. HT00015-3 Tuerca tipo Gripco / 2 Qty.
 HT00015-3 Nylon Insert Nut
 4 Pzs. HL110 Arandela / 4 Qty. HL110 Washer



Herramienta: Utiliza: 1
 Diagrama: DG022
 Modelo: FL 120 /
 Columbia / Century
 Año:

OEM#BCD273301

Kit Soporte para Motor Motor Mount Kit

11090


BOLT 3/4-16 UNF mm

Componentes

1 Pz. 11072 Soporte para Motor / 1 Qty. 11072 Motor
 Mount
 1 Pz. 11073 Soporte para Motor / 1 Qty. 11073 Motor
 Mount
 2 Pzs. HT00015-3 Tornillo / 2 Qty. HT00015-3 Bolt
 2 Pzs. HT00016-2 Tuerca / 2 Qty. HT00016-2 Nut
 4 Pzs. HL110 Arandela / 4 Qty. HL110 Washers



Herramienta: Utiliza: 2
 Diagrama: Relacionado: 11072,
 11073, 11073, 11077
 Modelo: Columbia /
 Century Class
 Año:

OEM#BCD267041,
 BCD276511, BCD289451,
 BCD276513

Soporte para Motor 11095

Motor Mount A4

	Inch	mm
ID	25/32	19.84
OD	3 3/4	95.25
LG	2 11/16	68.26



Herramienta: Utiliza: 2
 Diagrama: DG023 Relacionado: 11112, 11113, 11113
 Modelo: M2-106
 Año: 2008-2015

OEM# J-20120, 17-1843

Soporte para Motor 11112

Motor Mount A4

	Inch	mm
ID	1 11/32	34.13
OD	3 15/16	100.01
LG	7/8	22.23



Herramienta: Utiliza: 2
 Diagrama: DG023 Relacionado: 11095, 11113, 11113
 Modelo: M2-106
 Año: 2008-2015

OEM# J-19791

Kit Soporte para Motor 11113

Motor Mount Kit A3

Componentes

1 Pz. 11095 Soporte para Motor / 1 Qty. 11095 Motor Mount
 1 Pz. 11112 Soporte para Motor / 1 Qty. 11112 Motor Mount



Herramienta: Utiliza: 2
 Diagrama: DG023 Relacionado: 11095, 11112, 11112
 Modelo: M2-106
 Año: 2008-2015

OEM# J-20120, J-19791, 17-1843, J197911, J201204

Soporte para Motor 11116

Motor Mount A6

	Inch	mm
LG	7 5/16	185.74
WD	3 5/16	84.14
LGC-C	4	101.60
THR	5/8-18 UNF	
BOLT	5/8-18 UNF	



Herramienta: Utiliza: 2
 Diagrama: Relacionado: 11113
 Modelo: Cascadia
 Año:

OEM# J-21247-4, J21247-21, J21246-60

Soporte para Motor 11137

Motor Mount B

	Inch	mm
ID	13/16	20.64
OD	3	76.20
LG	4 5/32	105.57
WD	3 5/8	92.08
HO	7/16	11.11
LGC-C	3 5/16	84.14



Herramienta: Utiliza: 2
 Diagrama: Relacionado: 11114
 Modelo:
 Año:

OEM# J-21113

Soporte Trasero para Motor 11149

Motor Mount, Rear A2

	Inch	mm
LG	9 1/8	231.78
WD	5 9/32	134.14
H	2 29/32	73.82
LGC-C	1 25/32	45.24
THR	3/4-10 UNC	



Herramienta: 11175 Utiliza: 2
 Diagrama: Relacionado: 11179, 11116, 11116, 11089
 Modelo: Cascadia
 Año: 2008

OEM# LORJ-26185-28, D703, LORJ-2618528

Soporte Trasero para Motor 11179

Motor Mount, Rear A2

	Inch	mm
LG	8 25/32	223.04
WD	5 5/8	142.88
H	2 13/16	71.44
LGC-C	1 25/32	45.24
THR	M18X1.5	



Herramienta: 11175 Utiliza: 2
 Diagrama: Relacionado: 11149, 11116, 11116, 11089
 Modelo: Cascadia
 Año: 2017

OEM# 01-34070-000

Soporte Trasero para Motor 11725

Motor Mount, Rear A2

	Inch	mm
ID	5/8	15.88
OD	2 3/8	60.33
LG	2 3/32	53.18
OD<	1 1/2	38.10



Herramienta: Utiliza: 2
 Diagrama: DG021 Relacionado: 11018, 11054, 11054, 11085
 Modelo: FL-120
 Año:

OEM# LORJ, CBA24-650-17, XA80BL1024

Tapón para Bayoneta de Aceite Oil Cop Bushing

18044

✓ A2

	Inch	mm
ID	3/8	9.53
OD	1 9/32	32.54
LG	25/32	19.84
OD<	1	25.40



Herramienta: Utiliza: 1
 Diagrama: Relacionado:
 Modelo:
 Año: OEM#

Soporte Trasero Inferior para Motor Motor Mount, Rear (Lower)

31083

* B

	Inch	mm
ID	13/16	20.64
OD	1 1/4	31.75
LG	1 25/32	45.24



Herramienta: Utiliza: 2
 Diagrama: Relacionado: 11077,
 Modelo: Columbia / 11089, 11089
 Century Class
 Año: 2008 OEM# 28805-1, BCD28805 1

Buje para Balancín Equalizer Bushing

11000

✓ A2

	Inch	mm
ID	2 9/32	57.94
OD	3 25/32	96.04
LG	2 9/32	57.94
OD<	2 25/32	70.64



Herramienta: Utiliza: 4
 Diagrama: DG029 Relacionado: 11064,
 Modelo: FH34A 11142, 11142
 Año: OEM# 16-10549-000,
 A16-10549, 16-13568-000

Buje para Barra de Torsión Torque Rod Bushing

11003

* B

	Inch	mm
OD	2 7/16	61.91
HO	21/32	16.67
LG C-C	4 21/32	118.27



Herramienta: Utiliza: 4
 Diagrama: DG029 Relacionado: 11004,
 Modelo: 11005, 11005
 Año: OEM# 151087-148

Buje para Barra de Torsión Torque Rod Bushing

11004

✓ A1

	Inch	mm
OD	2	50.80
HO	21/32	16.67
LG C-C	4 13/32	111.92



Herramienta: 11071 / Utiliza: 4
 18836
 Diagrama: DG012, Relacionado: 11005,
 DG013, DG015 11083, 11083, 11081
 Modelo: Fas II Airliner
 Año: OEM# 47691, 47691-000
 A-16-119448

Buje para Barra de Torsión Torque Rod Bushing

11005

✓ A2

	Inch	mm
OD	2 1/2	63.50
HO	13/16	20.64
LG C-C	5 3/4	146.05



Herramienta: 11069 Utiliza: 4
 Diagrama: DG012, Relacionado: 11083
 DG013, DG0150
 Modelo: Fas II Airliner
 Año: OEM# 16-13962-000,
 353811SC1, W300861

Buje para Barra de Torsión Torque Rod Bushing

11006

* B

	Inch	mm
OD	2 11/32	59.53
HO	21/32	16.67
LG C-C	4 11/32	110.33



Herramienta: Utiliza: 4
 Diagrama: Relacionado:
 Modelo:
 Año: OEM# 11-94-48, 11-95-69

Buje Delantero para Muelle Spring Bushing Front

11060

* B

	Inch	mm
OD	1 25/32	45.24
LG C-C	5 3/4	146.05
OD<	1	25.40



Herramienta: Utiliza: 2
 Diagrama: Relacionado: 11775,
 Modelo: FL 11094, 11094
 Año: OEM#

Motor

Suspensión

Buje para Barra de Torsión

Torque Rod Bushing

11063



	Inch	mm
OD	1 3/4	44.45
HO	21/32	16.67
LG C-C	5 3/8	136.53



Herramienta: Utiliza: 2
 Diagrama: DG027 Relacionado: 11060
 Modelo: Fas I Air Ride
 Año:

OEM# HRI-HBUS41, RB-175

Buje para Balancín

Equalizer Bushing

11064



	Inch	mm
ID	2 1/4	57.15
OD	3 3/4	95.25
LG	2 13/32	61.12
OD <	2 3/4	69.85



Herramienta: Utiliza: 4
 Diagrama: DG028 Relacionado: 11000,
 11142, 11142
 Modelo: FH36-40
 Año:

OEM# A16-10549,
 A1610549000, 16-13568-
 000, A16-13570-000

Buje Delantero para Muelle

Spring Bushing Front

11066



	Inch	mm
ID	3/4	19.05
OD	2 1/4	57.15
LG	4 1/4	107.95



Herramienta: 11168 Utiliza: 2
 Diagrama: DG001, Relacionado: 31624
 DG020 Año:
 Modelo: Century / Cascadia /
 Class / MB-FL50 / MB-FL-60 / MB-
 FL-70 / MB-FL-80 / MB-FL-106

OEM# 680-322-01-50

Kit Barra de Torsión

Torque Rod Kit

11078



	Inch	mm
LGC-C	23 13/16	604.84

Componentes

1 Pz. 11181 Barra de Torsión / 1 Qty. 11181
 Torque Rod
 2 Pzs. 11004 Buje para Barra de Torsión / 2
 Qty. 11004 Torque Rod Bushing



Herramienta: Utiliza: 2
 Diagrama: DG012, Relacionado: 11005,
 DG013, DG015 11083, 11083, 11081
 Modelo:
 Año:

OEM# 681-326-67-16

Kit Barra de Torsión

Torque Rod Kit

11081



	Inch	mm
LGC-C	24 7/32	615.16

Componentes

1 Pz. 11182 Barra de Torsión / 1 Qty. 11182
 Torque Rod
 2 Pzs. 11004 Buje para Barra de Torsión / 2
 Qty. 11004 Torque Rod Bushing



Herramienta: Utiliza: 2
 Diagrama: DG012, Relacionado: 11005,
 DG013, DG015 11083, 11083, 11078
 Modelo:
 Año:

OEM# 16-16749.002

Buje para Muelle

Spring Bushing

11083



	Inch	mm
OD	2 1/2	63.50
HO	27/32	21.43
LGC-C	5 21/32	143.67



Herramienta: 11069 Utiliza: 4
 Diagrama: DG012, Relacionado: 11005,
 DG015 11081, 11081, 11078
 Modelo: Fas II Airliner/
 FL Año:

OEM# 16-16412-000,
 16-18035-000

Buje Delantero para Muelle

Spring Bushing Front

11094



	Inch	mm
OD	2 1/4	57.15
LGC-C	5 3/8	136.53
OD <	1 1/4	31.75



Herramienta: Utiliza: 2
 Diagrama: DG001 Relacionado: 18600,
 11066, 11066
 Modelo: FL / Cascadia
 Año:

OEM# 1614603000,
 837560

Barra de Torsión

Torque Rod

11121



	Inch	mm
ID	1 27/32	46.83
LGC-C	24 7/32	615.16



Herramienta: Utiliza: 2
 Diagrama: Relacionado: 11123,
 11122, 11122
 Modelo: Columbia (Fas I
 and Fas II)
 Año: 2008

OEM# 681-326-67-16,
 1615632000

Buje Delantero para Muelle

Spring Bushing Front

11123



A4

	Inch	mm
ID	13/16	20.64
OD	1 31/32	50.01
LG	3 7/32	81.76



Herramienta: Utiliza: 2
 Diagrama: Relacionado: 11094,
 Modelo: Columbia / FLC 11126, 11126, 31111
 Año: 2008 13725

OEM# 59259-002, 323-270,
 RB301

Tapas para Soporte de Muelle

Front Suspension Thrust Washer

11126



A6

	Inch	mm
LG	6 9/16	166.69
WD	4 3/32	103.98
H	1 1/2	38.10
HO	1/4	6.35
LG C-C	7/8	22.23



Herramienta: Utiliza: 2
 Diagrama: Relacionado: 11094,
 Modelo: Columbia / Cascadia 11123, 11123, 31111,
 Año: 2008 13725

OEM# 59346-1, 59346-001

Cojinete de Desgaste

Wear Pad

11130



B

	Inch	mm
LG	7	177.80
WD	3	76.20
H	2 5/16	58.74



Herramienta: Utiliza: 2
 Diagrama: Relacionado: 11127,
 Modelo: M2 11128, 11128
 Año:

OEM# 1615641000

Buje Delantero para Muelle

Spring Bushing Front

11133



B

	Inch	mm
ID	13/16	20.64
OD	2 1/16	52.39
LG	3 1/4	82.55



Herramienta: 40286 Utiliza: 2
 Diagrama: Relacionado: 11142
 Modelo:
 Año:

OEM#

Buje para Muelle

Spring Bushing

11142



A4

	Inch	mm
ID	3/4	19.05
OD	1 3/4	44.45
LG	3 9/16	90.49



Herramienta: Utiliza: 2
 Diagrama: Relacionado: 11133
 Modelo: M2
 Año: 2008

OEM# 16-16473-000

Soporte para Suspensión

Suspension Mount

11159



B

	Inch	mm
LG	10 19/32	269.08
WD	5 1/2	139.70
H	4 9/16	115.89
HO	11/16	17.46
LG C-C	7 9/16	192.09
THR	1/2-13 UNC	



Herramienta: Utiliza: 2
 Diagrama: Relacionado: 11162,
 Modelo: Tuf-Trac / 46K 11163, 11163, 11164,
 Año: 11165

OEM# 16-15010-000

Buje para Barra de Torsión

Torque Rod Bushing

11162



B

	Inch	mm
OD	3 15/16	100.01
HO	29/32	23.02
LG C-C	6 7/8	174.63



Componentes
 1 Pz. 11162 (P) Buje / 1 Qty. 11162 (P) Bushing
 1 Pz. Seguro Truack 10-100-1020 / 1 Qty. Truack
 Seeger 10-100-1020

Herramienta: Utiliza: 4
 Diagrama: Relacionado: 11163,
 Modelo: Tuf-Trac 11166, 11166, 11164,
 Año: 11165

OEM# 80480078000,
 A348634

Buje para Barra de Torsión

Torque Rod Bushing

11163



B

	Inch	mm
OD	2 15/16	74.61
HO	21/32	16.67
LG C-C	4 3/8	111.13



Componentes
 1 Pz. 11163 (P) Buje / 1 Qty. 11163 (P) Bushing
 1 Pz. Seguro Truack 10-100-0750 / 1 Qty. Truack
 Seeger 10-100-0750

Herramienta: Utiliza: 4
 Diagrama: Relacionado: 11162,
 Modelo: Tuf-Trac 11166, 11166, 11164,
 Año: 11165

OEM# 062-480-041-000,
 A237903, A-237903

Soporte Superior para Muelle Spring Mount, (Upper)

11164



	Inch	mm
LG	5 1/16	128.59
WD	3 15/16	100.01
H	2 15/32	62.71



Herramienta: Utiliza: 4
Diagrama: Relacionado: 11162,
Modelo: Tuf-Trac / 40K 11163, 11163, 11159
Año: , 11165

OEM# 11-19581, 11-22805-000

Soporte Inferior para Muelle Spring Mount, (Lower)

11165



	Inch	mm
LG	3 15/16	100.01
WD	3 15/16	100.01
H	2 3/16	55.56



Herramienta: Utiliza: 4
Diagrama: Relacionado: 11162,
Modelo: Tuf-Trac / 40K 11163, 11163, 11159,
Año: 11164

OEM# 11-20807-000, 11-19580-000, 11-19583-000, 11-20806-000

Buje para Barra de Torsión Torque Rod Bushing

11166



	Inch	mm
OD	3 11/32	84.93
HO	29/32	23.02
LG C-C	6 7/8	174.63



Herramienta: 18834 Utiliza: 2
Diagrama: Relacionado: 11162,
Modelo: Tuf-Trac 11163, 11163, 11164
Año: 2010 , 11165

OEM# 070 480 054 000

Buje para Barra de Torsión Torque Rod Bushing

13521



	Inch	mm
OD	2	50.80
HO	21/32	16.67
LG C-C	4 13/32	111.92



Herramienta: 11071 / 18836 Utiliza: 4
Diagrama: DG040, DG041 Relacionado: 13524, 13527,
DG042, DG043, DG043, DG044 13582, 13597, 13598, 13627,
DG045, DG046, DG047 14010, 34539, 34562
Año:
Modelo: Primaax EX 262/522/782/Firemaax EX 272/542/
Primaax 230/460/690/Firemaax 240/480/Series E4-360/400

OEM# A16-119448, HDR 47691 000L, 47691000, 47691, 47691-000L, H476 91000L, HD47691000L, HUD4769100 OL, 47691, HDR47691000L, 4000-476 91000L, 85107110, 47691-000L, R305 275 / 47691

Buje para Barra de Torsión Torque Rod Bushing

13522



	Inch	mm
OD	2 17/32	64.29
HO	21/32	16.67
LG C-C	4 3/8	111.13



Herramienta: 18553 / Utiliza: 4
18833 / 40131
Diagrama: DG097, Relacionado: 13518,
DG098, DGL128, DGL130, 13520, 13520, 11714
DGL131 **Modelo:** Air leaf / Air Trac Single / Air Ripara
Año:

OEM# 151087-148, 44694, 44694-000L, 1693060C1, 1688-227710, 02-27710, 227710, 8079894

Barra de Torsión Ajustable Torque Rod Assembly

13590



	Inch	mm
ID	2 3/4	69.85
LG C-C	26	660.40



Herramienta: Utiliza: 2
Diagrama: Relacionado: 13520,
Modelo: 12031, 12031, 12044
Año:

OEM# IPC928661

Kit Soporte Trasero para Muelle Spring Mount, Rear Kit

13725



BOLT 1/2-20 UNF mm
Componentes

1 Pz. 31111 Refuerzo Trasero para Soporte de la Muelle / 1 Qty. 31111 Spring Mount Reinforce Rear
1 Pz. 18994 Soporte Trasero para Muelle / 1 Qty. 18994 Spring Mount, Rear



Herramienta: Utiliza: 2
Diagrama: DG001 Relacionado: 31111,
Modelo: Airtek / 18994, 18994
Cascadia
Año: 2008

OEM# 60961-002

Albardón Shackle Side Bar

18600



	Inch	mm
ID	1 1/4	31.75
LG	7 25/32	197.64
WD	2	50.80
H	1	25.40
HO	1 1/4	31.75
LG C-C	5 5/16	134.94



Herramienta: Utiliza: 4
Diagrama: DG017, Relacionado: 18598,
DG026 18599, 18599, 18602
Modelo: FLD-112 / FLD-120 / Cascadia
Año:

OEM# 16-11890-000

Soporte Trasero para Muelle Spring Mount, Rear

18994



A3

	Inch	mm
ID	13/16	20.64
LG	6 5/32	156.37
WD	2	50.80
H	6	152.40
HO	17/32	13.49
LG C-C	5	127.00



Herramienta: Utiliza: 2
Diagrama: DG001 Relacionado: 13725, 31111, 31111
Modelo: Airtek / Cascadia
Año:

OEM# 58918-000, 593461, 60961-002

Refuerzo Trasero para Soporte de la Muelle Spring Mount Reinforce Rear

31111



B

	Inch	mm
LG	6 19/32	167.48
WD	1 1/2	38.10
HO	17/32	13.49
TK	3/16	4.75
LG C-C	5	127.00
BOLT	1/2-20 UNF	

Componentes

- 1 Pz. Lamina Maquinada / 1 Qty. Steel Blade
- 2 Pzs. Tornillos / 2 Qty. Bolt
- 4 Pzs. Arandela / 4 Qty. Washer
- 2 Pzs. Tuerca / 2 Qty. Nut



Herramienta: Utiliza: 2
Diagrama: Relacionado: 11094, 11123, 11123, 11126, 13725
Modelo: Columbia / Airtek / Cascadia
Año: 2008

OEM# 58920-000

Soporte para Muelle Spring Mount

31624



A4

	Inch	mm
LG	7 19/32	192.88
WD	5 1/8	130.18
H	5 5/16	134.94
LG C-C	5 29/32	150.02



Herramienta: Utiliza: 2
Diagrama: Relacionado: 11066
Modelo: M2 & Sterling Acterra
Año:

OEM# A1615773000

Buje para Barra de Torsión Torque Rod Bushing

40263



A2

	Inch	mm
OD	2 15/16	74.61
HO	25/32	19.84
LG C-C	4 3/8	111.13



Herramienta: Utiliza: 4
Diagrama: Relacionado: 40264
Modelo:
Año:

OEM# 055.480.040.000

Buje para Barra de Torsión Torque Rod Bushing

40264



A2

	Inch	mm
ID	7/8	22.23
OD	2 5/8	66.68
LG	2 15/16	74.61



Herramienta: Utiliza: 4
Diagrama: Relacionado: 40263
Modelo:
Año:

OEM# 062.480.093.00

Soporte para Radiador Radiator Mount

11021



A2

	Inch	mm
ID	7/8	22.23
OD	2 31/32	75.41
LG	1 13/16	46.04
OD<	1 1/2	38.10

Componentes

- 1 Pz. Soporte Superior para Radiador / 1 Qty. Upper Radiator Mount
- 1 Pz. Soporte Inferior para Radiador / 1 Qty. Lower Radiator Mount
- 1 Pz. Espaciador / 1 Qty. Spacer Sleeve



Herramienta: Utiliza: 4
Diagrama: DG025 Relacionado: 11117, 11129, 11129, 11148
Modelo: Century / Columbia / Series FLD
Año:

OEM# 051 6070 000, 051-6070-000

Soporte para Radiador Radiator Mount

11117



A4

	Inch	mm
LG	3 15/16	100.01
WD	1 3/4	44.45
H	1 5/8	41.28
THD	3/8-16 UNC	



Herramienta: Utiliza: 2
Diagrama: Relacionado: 11021, 11129, 11129, 11148
Modelo: Medium Duty / FC70 / FC80 / FLB / M2 106
Año:

OEM# 6805040382, LOR SM1035 9, A6805040192, MBT A6805040382, 19938-000

Soporte para Radiador Radiator Mount

11129



A4

	Inch	mm
LG	4	101.60
WD	3 7/8	98.43
H	1 1/4	31.75
LG C-C	1 7/8	47.63
THD	1/2-13 UNC	



Herramienta: Utiliza: 2
Diagrama: Relacionado: 11021, 11117, 11117, 11148
Modelo: Century / Series FL70 / FL80
Año: 2011

OEM# BCD-28847-1, BCD 28721-1

Temperatura

Soporte para Radiador

11144

Radiator Mount



	Inch	mm
LG	4	101.60
WD	1 13/16	46.04
H	2 3/32	53.18
LGC-C	2 11/32	59.53
THD	3/8-16 UNC	



Herramienta: Utiliza: 2
 Diagrama: Relacionado: 11021, 11117, 11117, 11148
 Modelo: M2 / FC70 / FC90 / FLB / M2160
 Año: 2009-2012

OEM# A6805040382

Soporte para Radiador

11148

Radiator Mount



	Inch	mm
OD	1	25.40
LG	3/4	19.05
THD	1/4-20 UNC	



Herramienta: Utiliza: 4
 Diagrama: Relacionado: 11021, 11117, 11117, 11144
 Modelo: FLD 13264T / Classic XL
 Año: 2009-2014

OEM# 17-12127-000

Soporte para Radiador

11522

Radiator Mount



	Inch	mm
ID	5/8	15.88
OD	2 7/8	73.03
LG	1 1/4	31.75
OD<	1 13/16	46.04



Herramienta: Utiliza: 8
 Diagrama: Relacionado: 12366, 11804, 11804
 Modelo: Pegaso
 Año:

OEM# J7165-1, 07-03286, 04-9009996

Soporte para Radiador

18047

Radiator Mount



	Inch	mm
ID	1/2	12.70
OD	1 9/16	39.69
LG	1/2	12.70



Herramienta: Utiliza: 4
 Diagrama: Relacionado: 11021, 11129, 11129
 Modelo:
 Año:

OEM#

Buje para Varilla del Embrague

11115

Clutch Rod Bushing



	Inch	mm
ID	3/8	9.53
OD	1 3/32	27.78
LG	1	25.40



Herramienta: Utiliza: 1
 Diagrama: Relacionado: 11118, 11125, 11125
 Modelo: M2
 Año:

OEM# A02-13110-002

Buje para Varilla del Embrague

11118

Clutch Rod Bushing



	Inch	mm
ID	1/2	12.70
OD	1 1/2	38.10
LG	1	25.40
OD<	1 13/32	35.72



Herramienta: Utiliza: 1
 Diagrama: Relacionado: 11115, 11125, 11125
 Modelo: Columbia
 Año: 2008

OEM# A02-13110-002

Buje para Varilla del Embrague

11125

Clutch Rod Bushing



	Inch	mm
ID	3/8	9.53
OD	1 1/2	38.10
LG	1	25.40
OD<	1 13/32	35.72



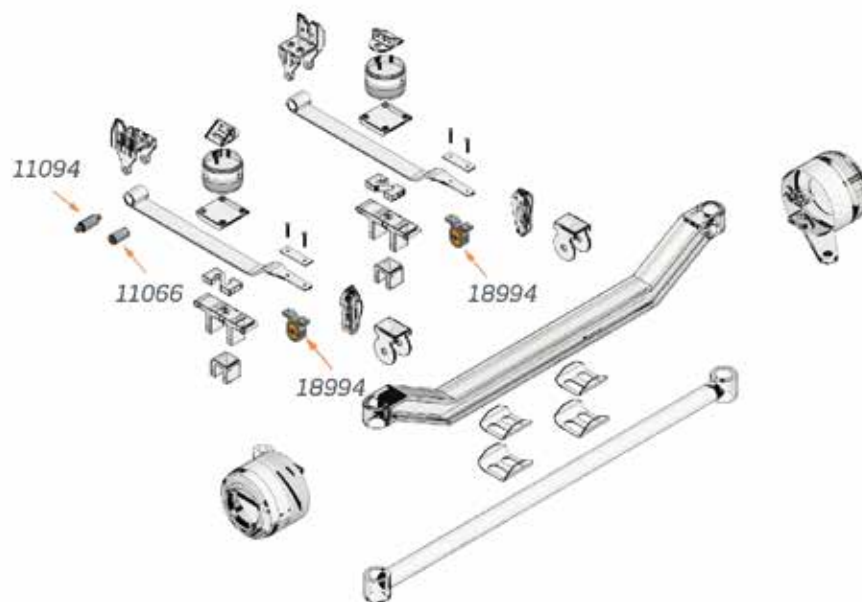
Herramienta: Utiliza: 1
 Diagrama: Relacionado: 11115, 11118, 11118
 Modelo: Columbia / M2
 Año: 2007-2011

OEM#

Transmisión

Airtek

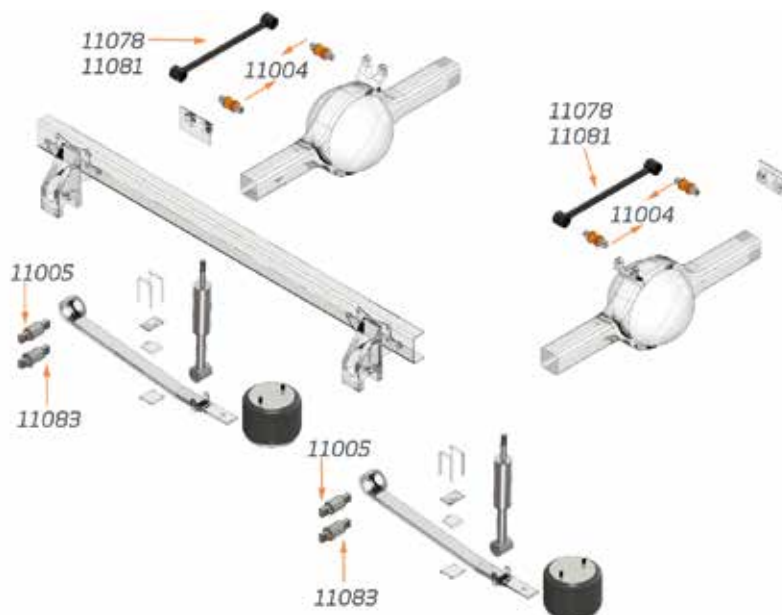
DG001



Códigos GAFF 11066, 11094, 18994

Air Liner II (46,000 lbs)

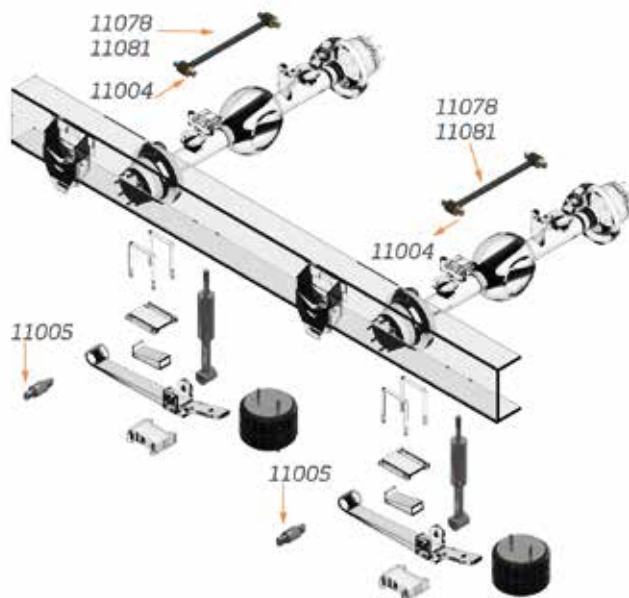
DG012



Códigos GAFF 11004, 11005, 11078, 11081, 11083

Air Liner II Fast II (38,000-40,000 Lbs)

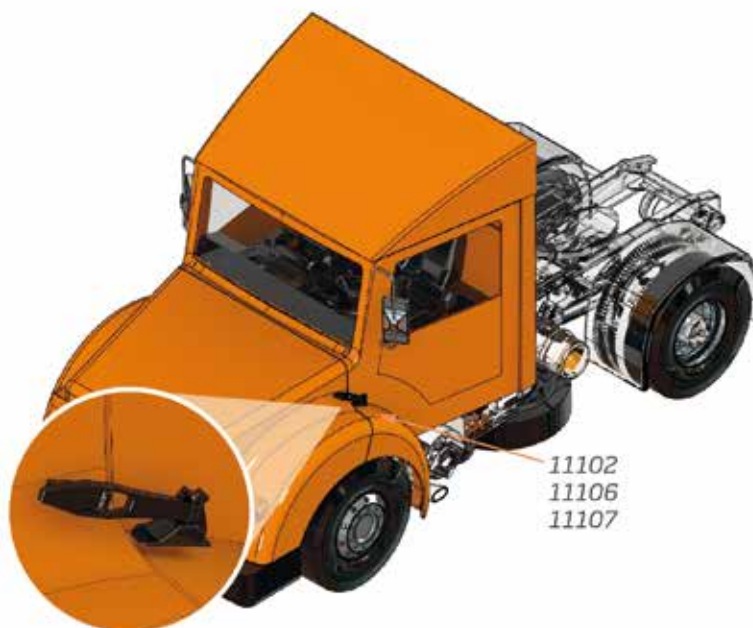
DG013



Códigos GAFF 11004, 11005, 11078, 11081

Hood Hook Century

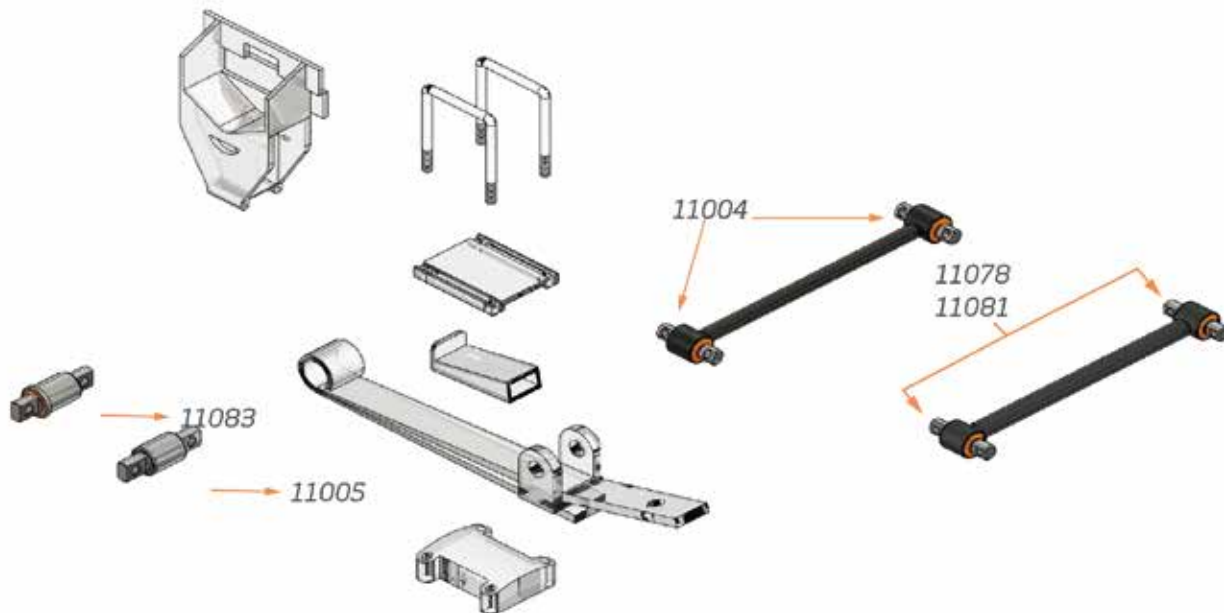
DG014



Códigos GAFF 11102, 11106, 11107

Fast II

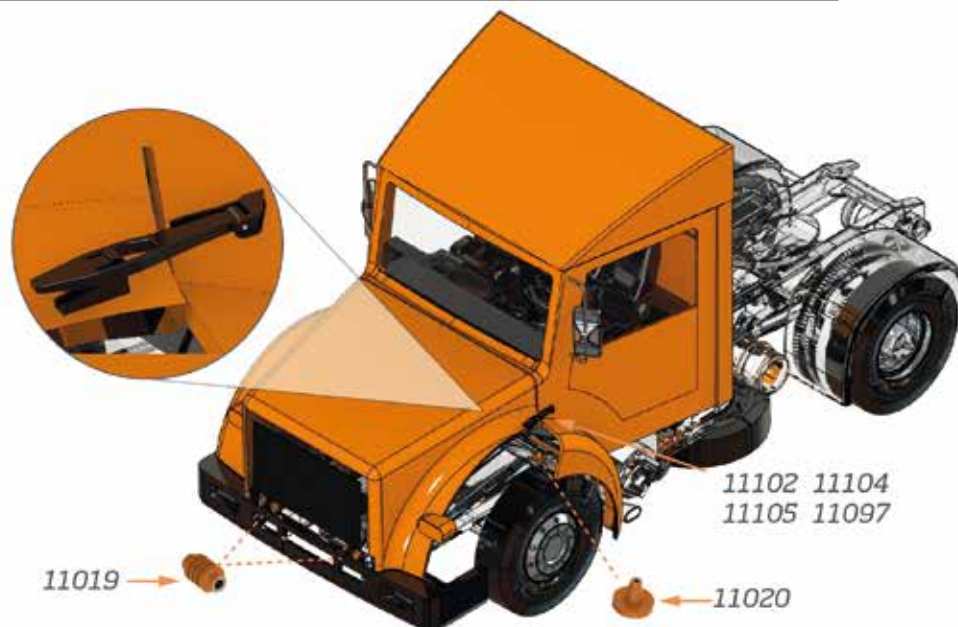
DG015



Códigos GAFF 11004, 11005, 11078, 11081, 11083

Hood Hoonk FL-120

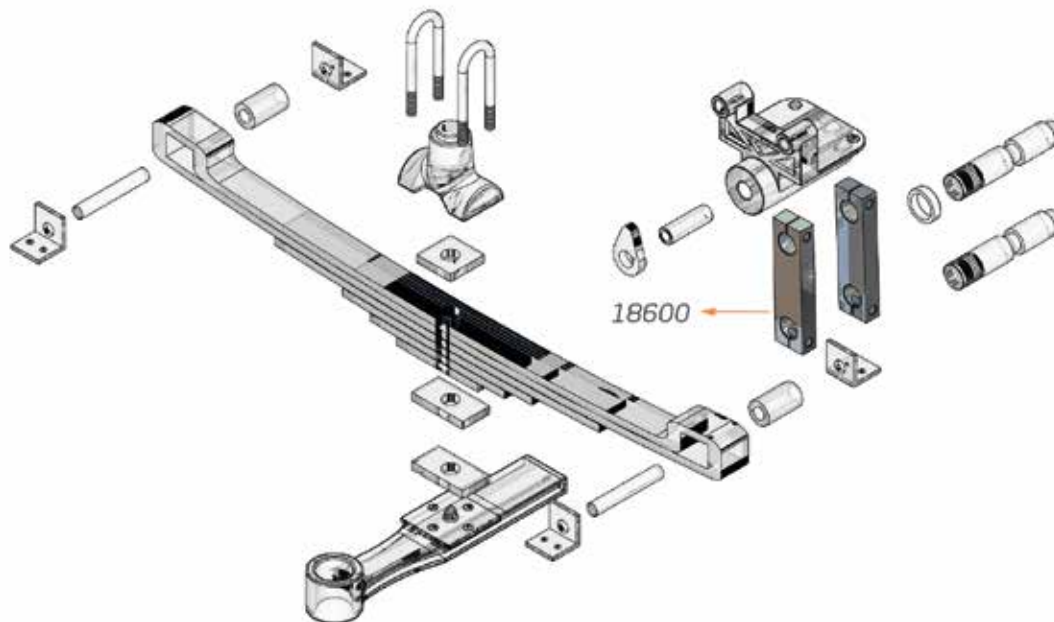
DG016



Códigos GAFF 11019, 11020, 11097, 11102, 11104, 11105

FLD 112, Convencional 1210

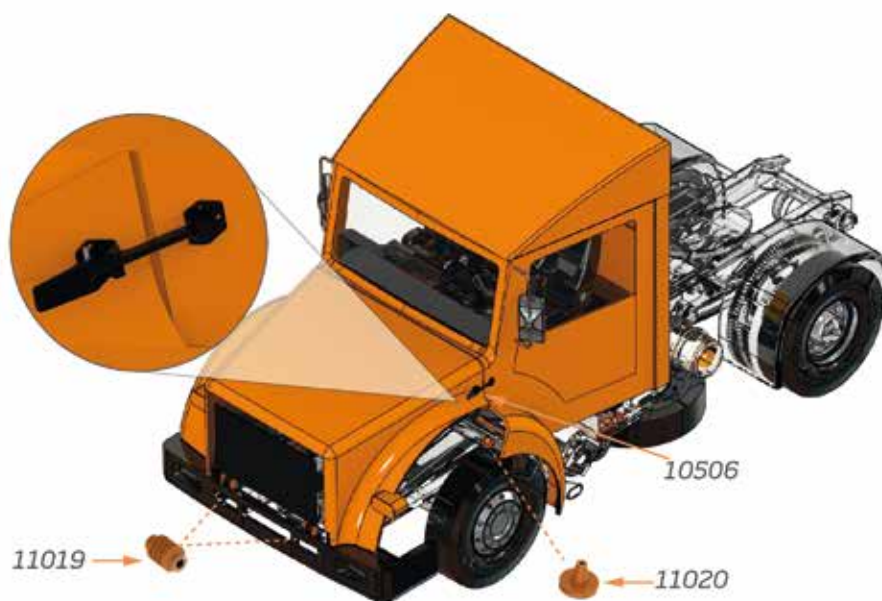
DG017



Códigos GAFF 18600

Hood Rest

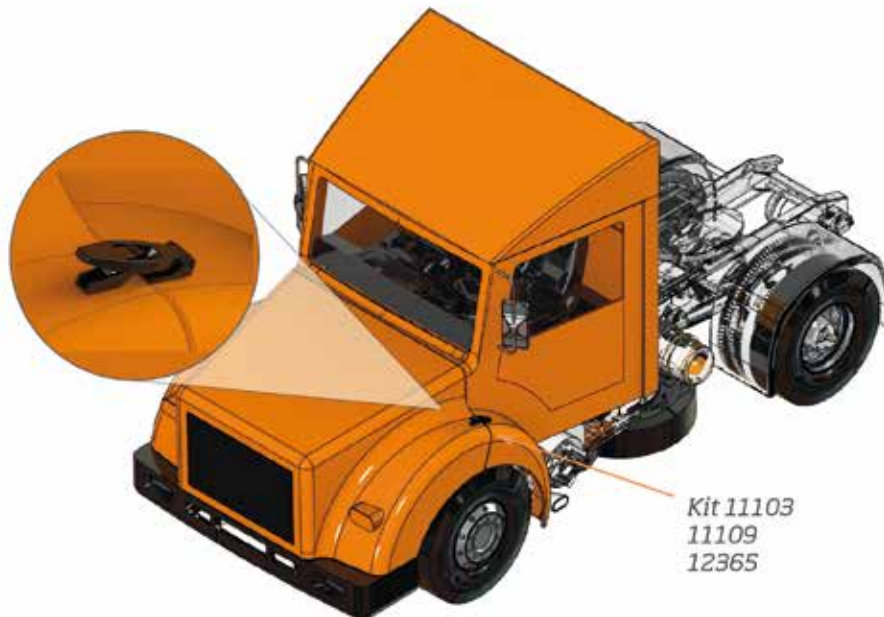
DG018



Códigos GAFF 10506, 11019, 11020

Hood Hook M2/FLD 112

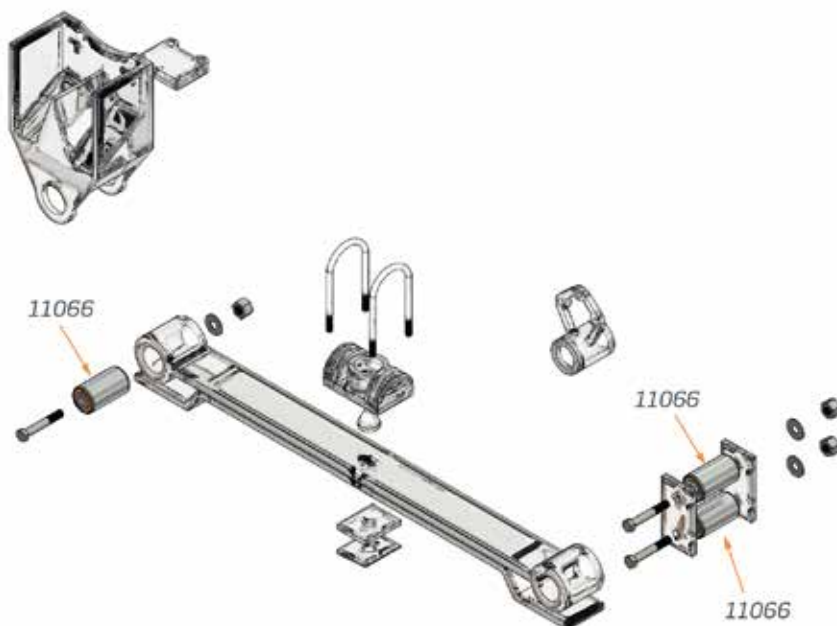
DG019



Códigos GAFF 11103, 11109, 12365

Class, Century/MB-FL50/MB-FL60/ MB-FL70/MB-FL80, MB-FL106

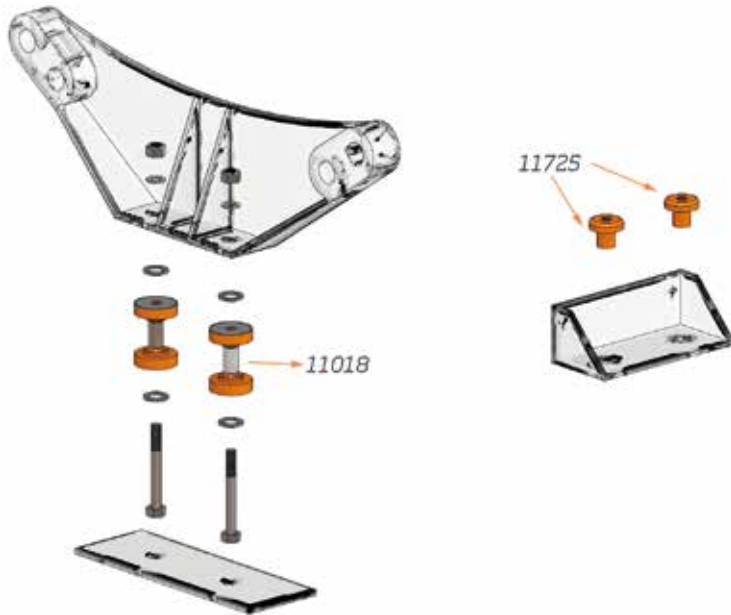
DG020



Códigos GAFF 11066

FL-120

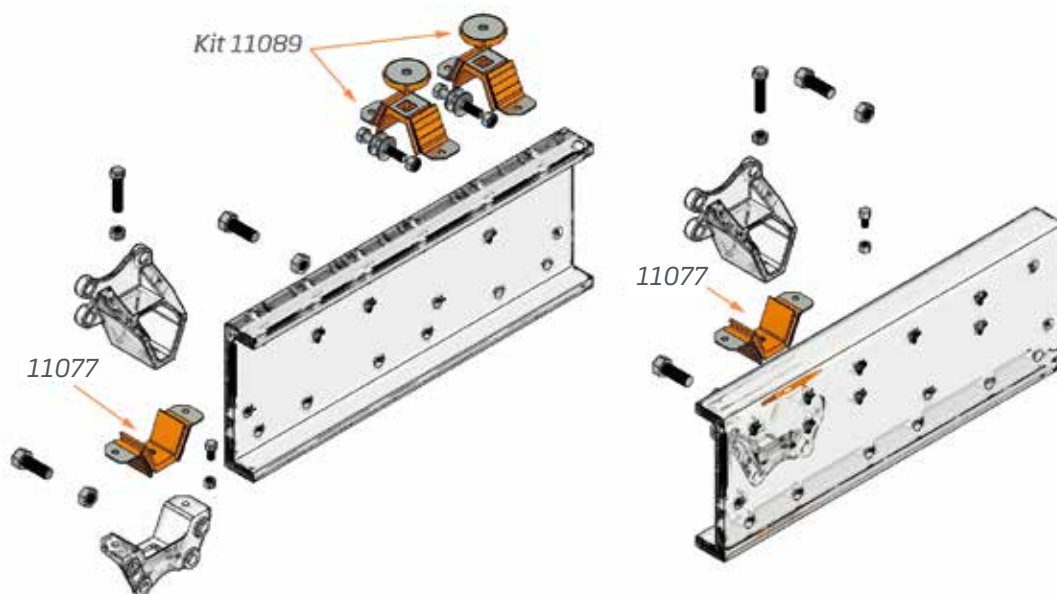
DG021



Códigos GAFF 11018, 11725

Columbia Century

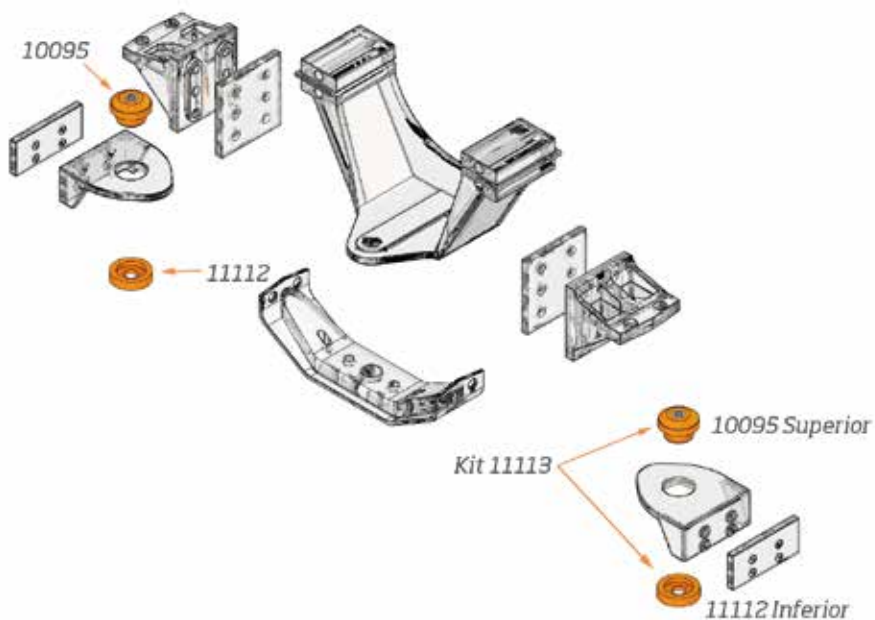
DG022



Códigos GAFF 11077, 11089

M2

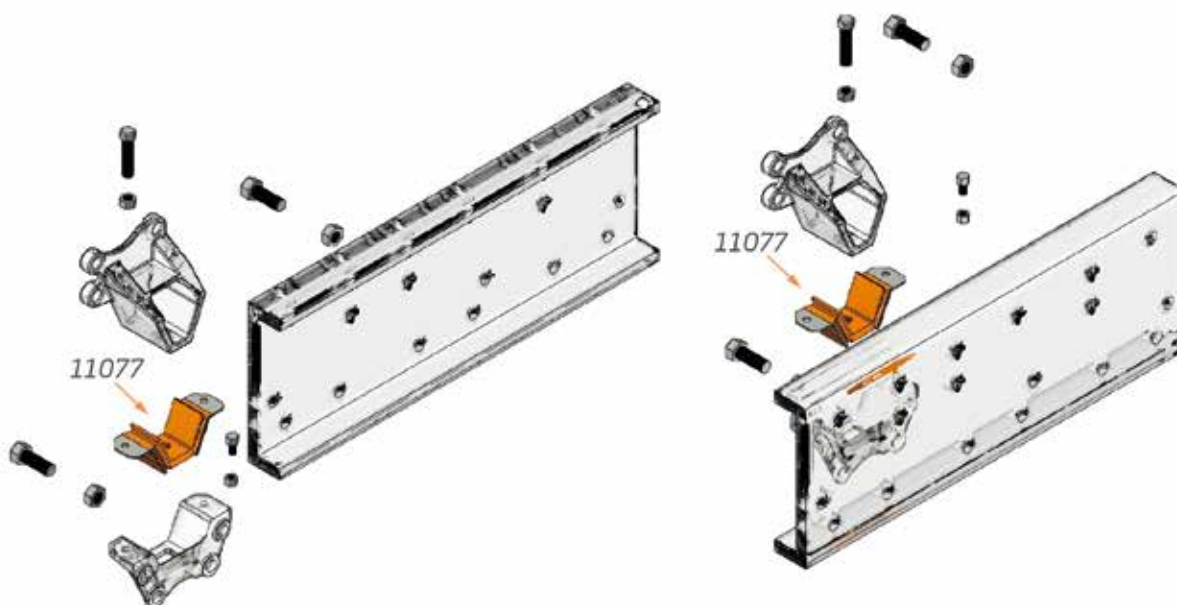
DG023



Códigos GAFF 11095, 11112, 11113

Columbia Century

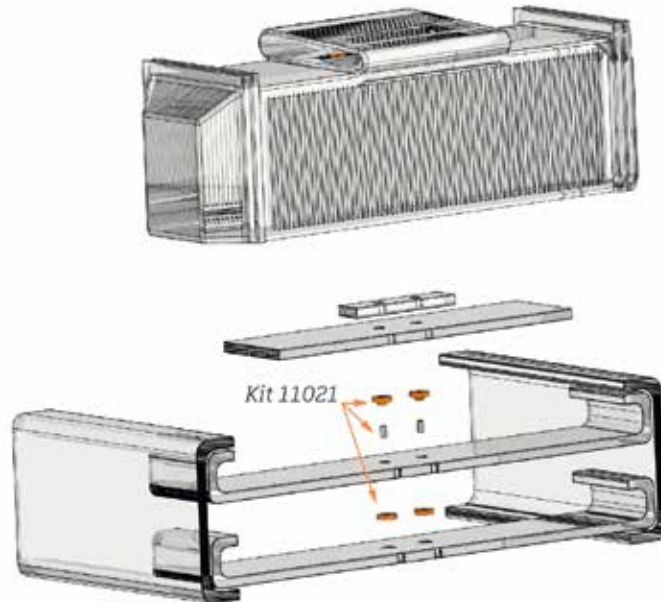
DG024



Códigos GAFF 11077

FL-120 Radiador

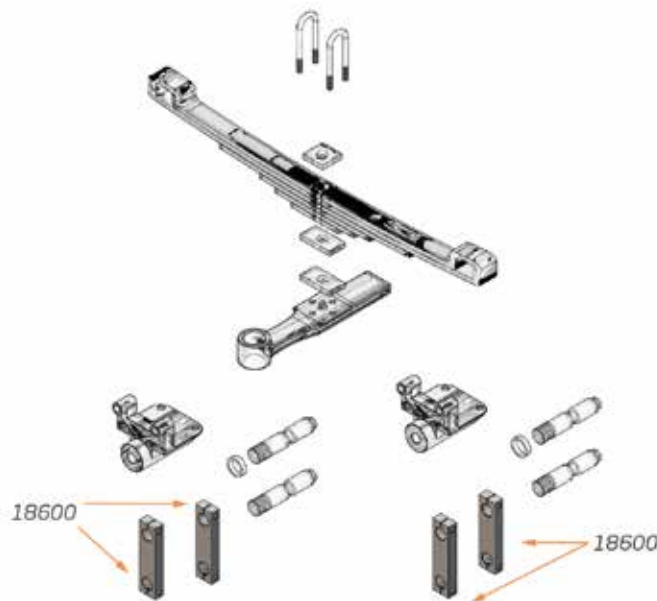
DG025



Códigos GAFF 11021

FLD 112, 120

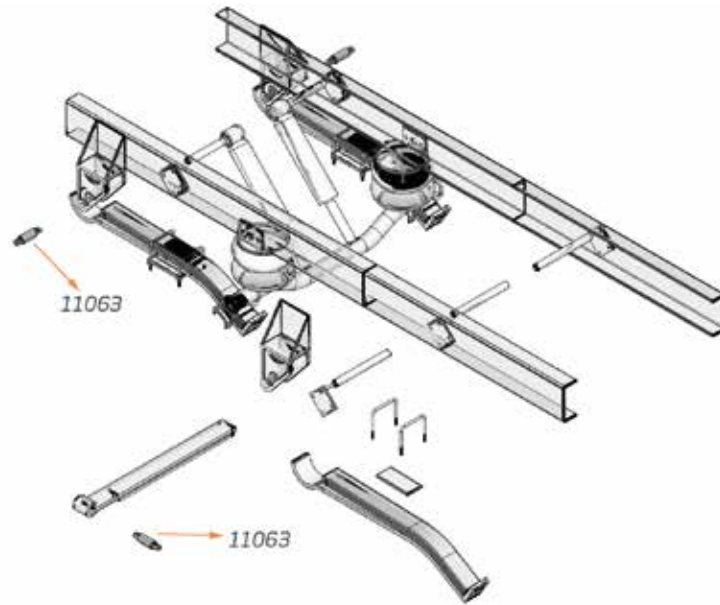
DG026



Códigos GAFF 18600

Air Ride / FAS I

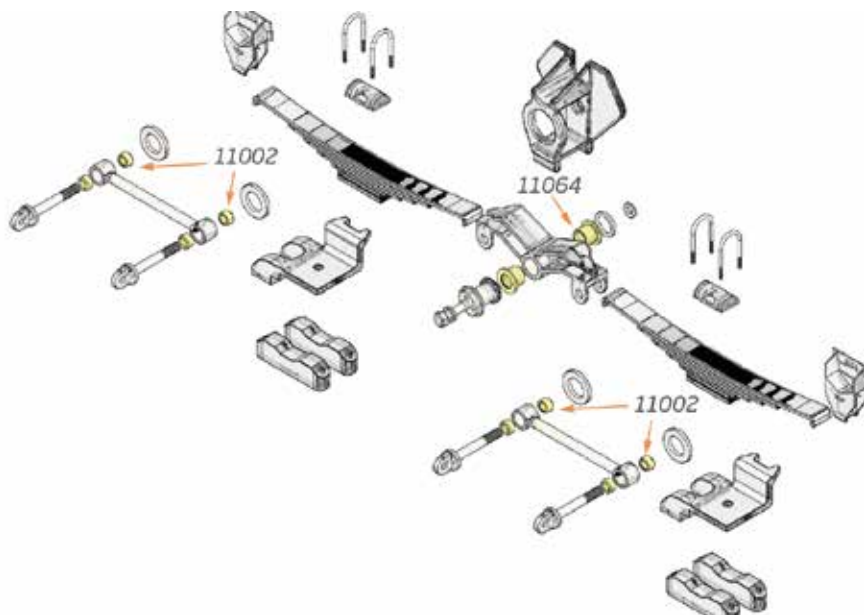
DG027



Códigos GAFF 11063

FH34

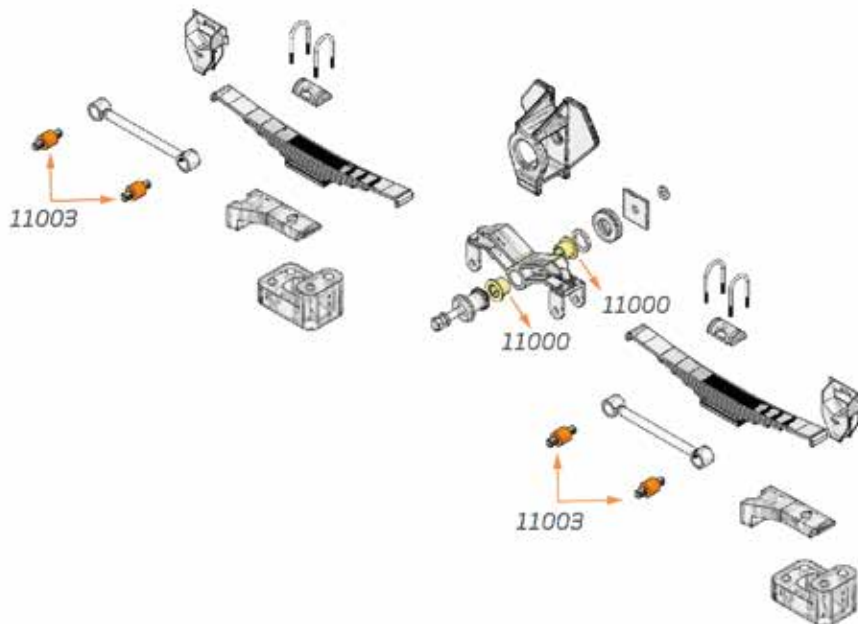
DG028



Códigos GAFF 11002, 11064

FH34A / Leaf

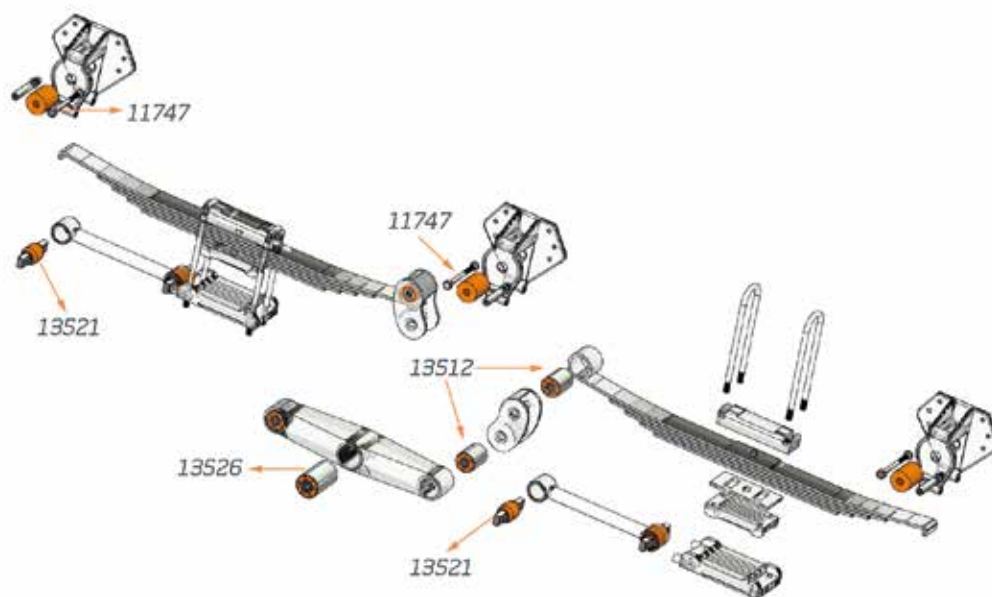
DG029



Códigos GAFF 11000, 11003

Serie E4.360 / 400

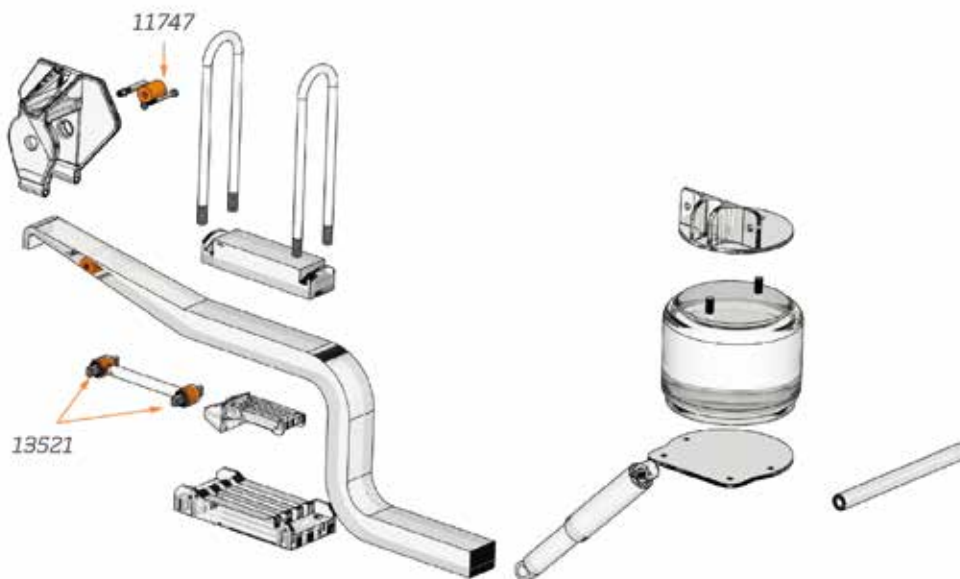
DG040



Códigos GAFF 11747, 13512, 13521, 13526

HA-360 / 400 / 460

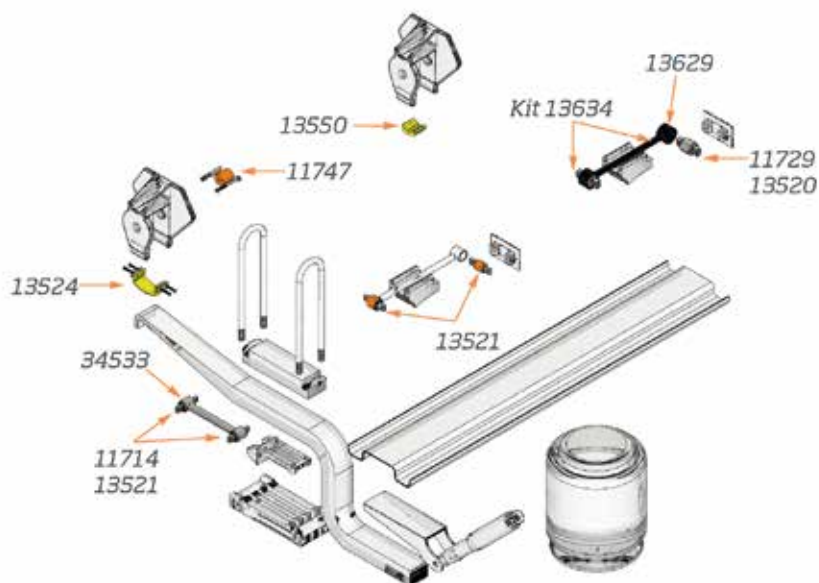
DG041



Códigos GAFF 11747, 13521

HAS 360 / 400 / 402 / 460

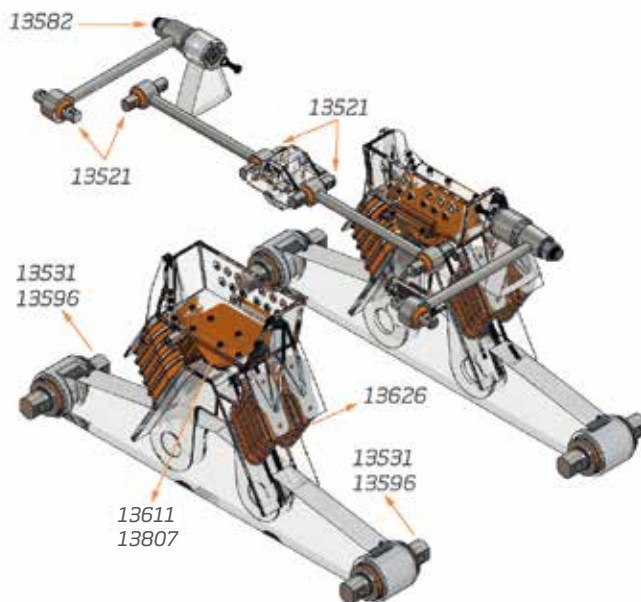
DG042



Códigos GAFF 11714, 11729, 11747, 13520, 13521, 13524, 13550, 13629, 13634, 34533

Haulmaax

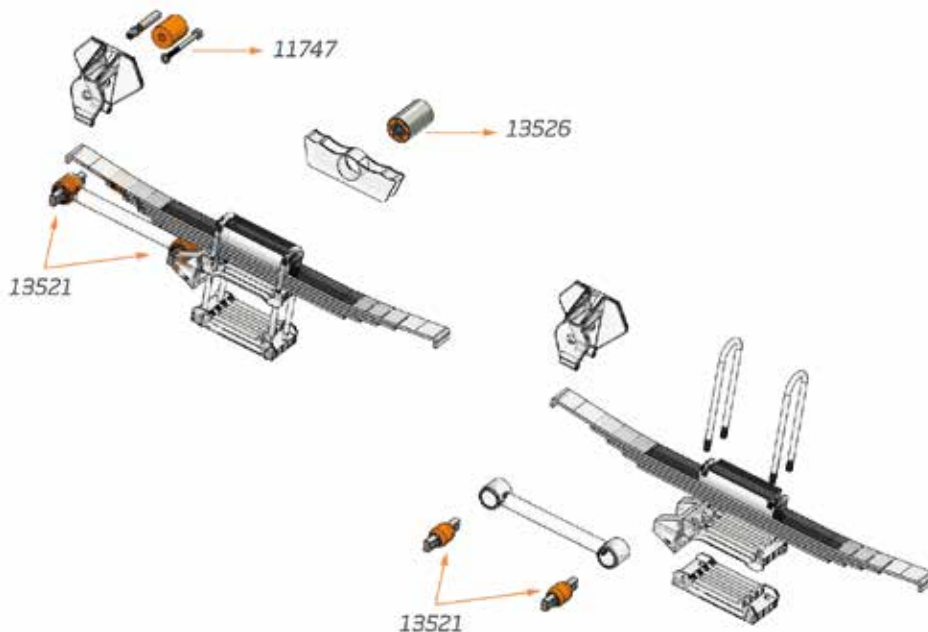
DG043



Códigos GAFF 13521, 13531, 13582, 13596, 13611, 13626, 13807

Series HFS-360 / 400

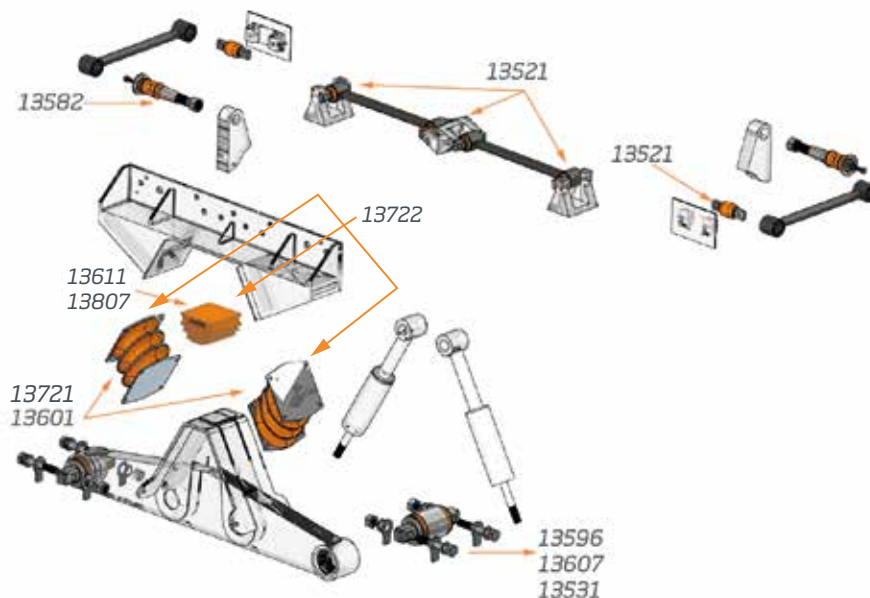
DG044



Códigos GAFF 11747, 13521, 13526

Serie HN-402 / 460 / 462 / 522

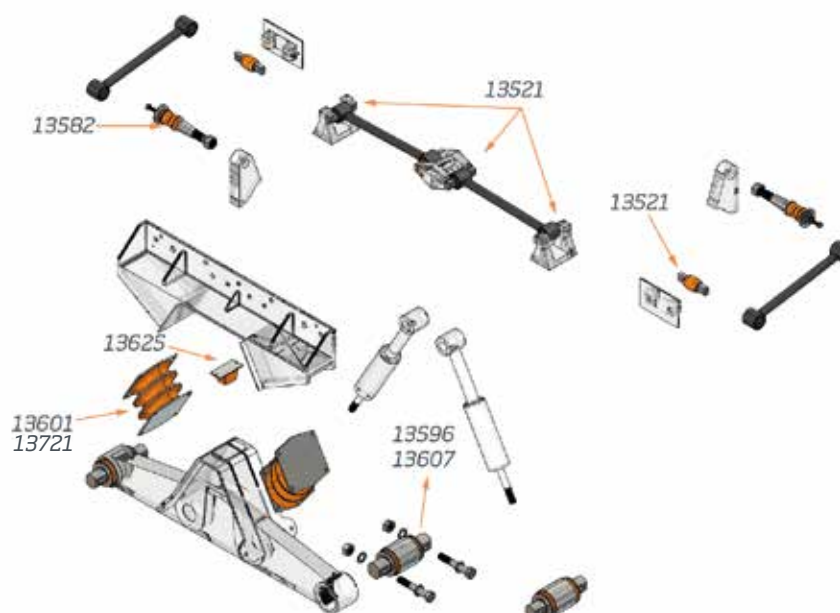
DG045



Códigos GAFF 13521, 13531, 13582, 13596, 13601, 13607, 13611, 13721, 13722, 13807

Serie HN-402 / 462

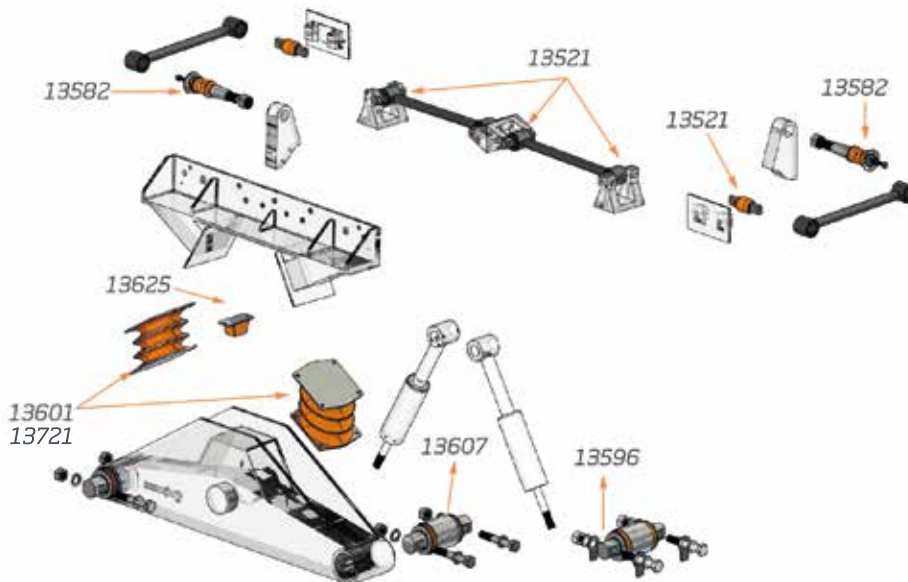
DG046



Códigos GAFF 13521, 13582, , 13596, 13601, 13607, 13625, 13721

Series HN-460

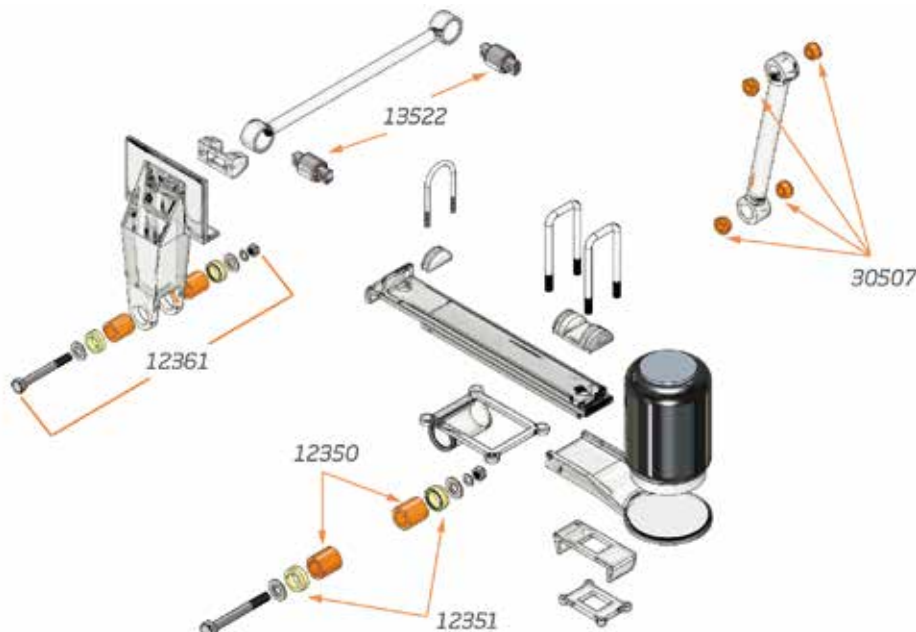
DG047



Códigos GAFF 13521, 13582, 13596, 13601, 13607, 13625, 13721

Air Leaf

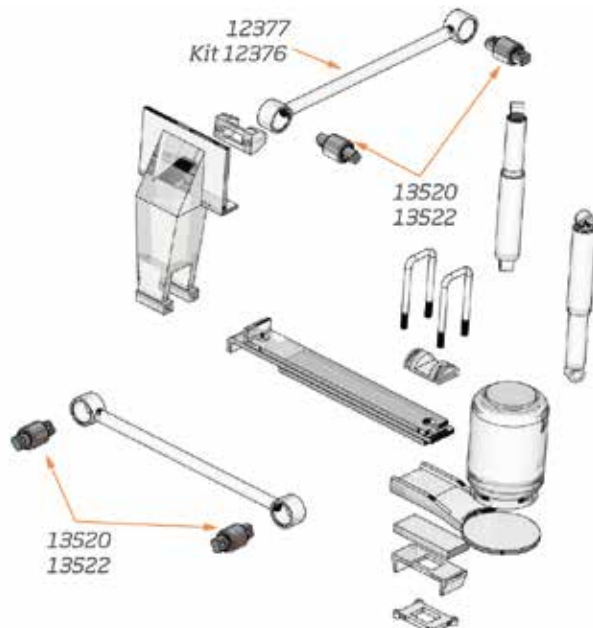
DG097



Códigos GAFF 12350, 12351, 12361, 13522, 30507

Air Trac Single

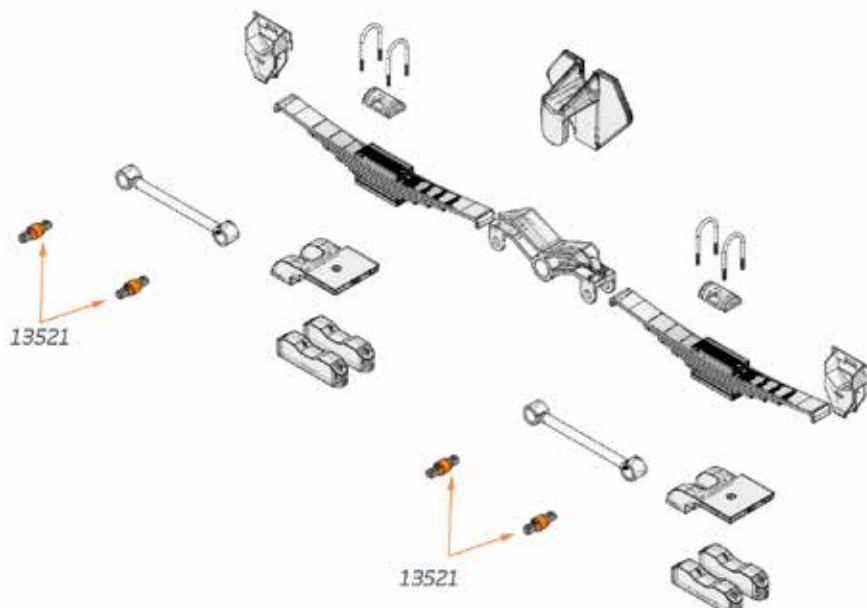
DG098



Códigos GAFF 12376, 12377, 13520, 13522

Quadraflex

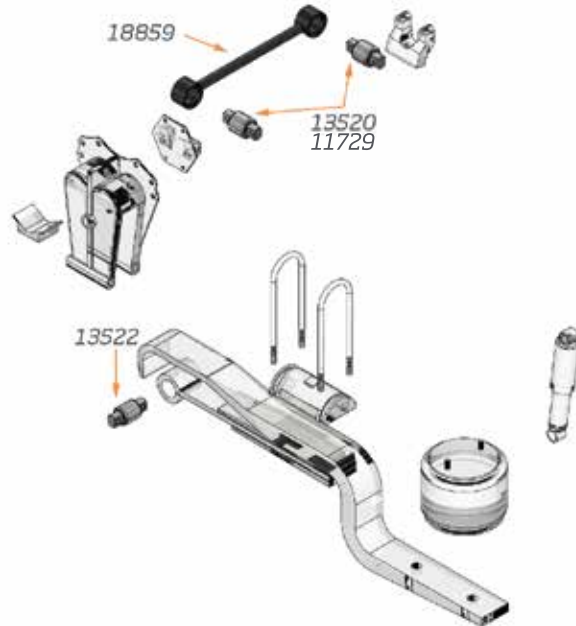
DG100



Códigos GAFF 13521

Air Ride

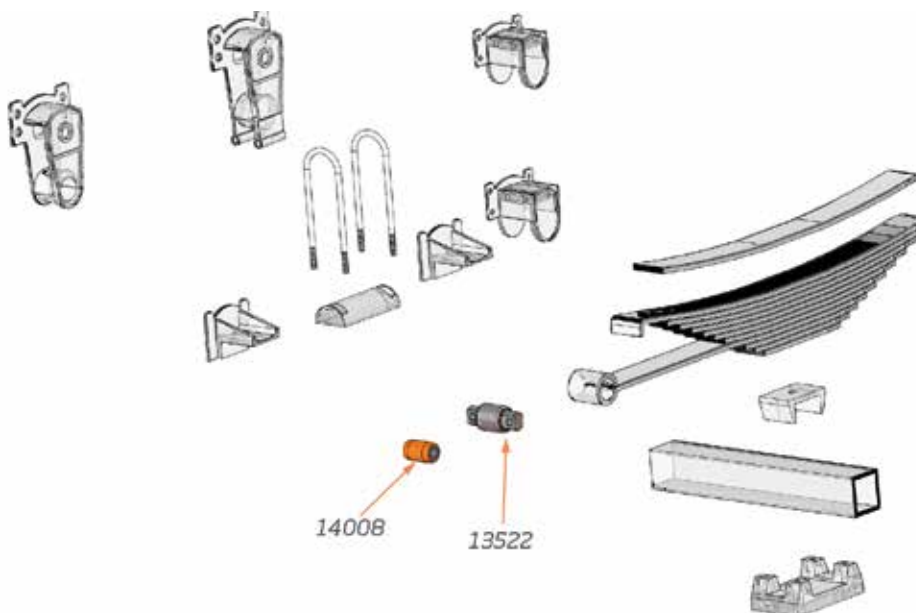
DG128



Códigos GAFF 11729, 13520, 13522, 18859

Eje Trasero

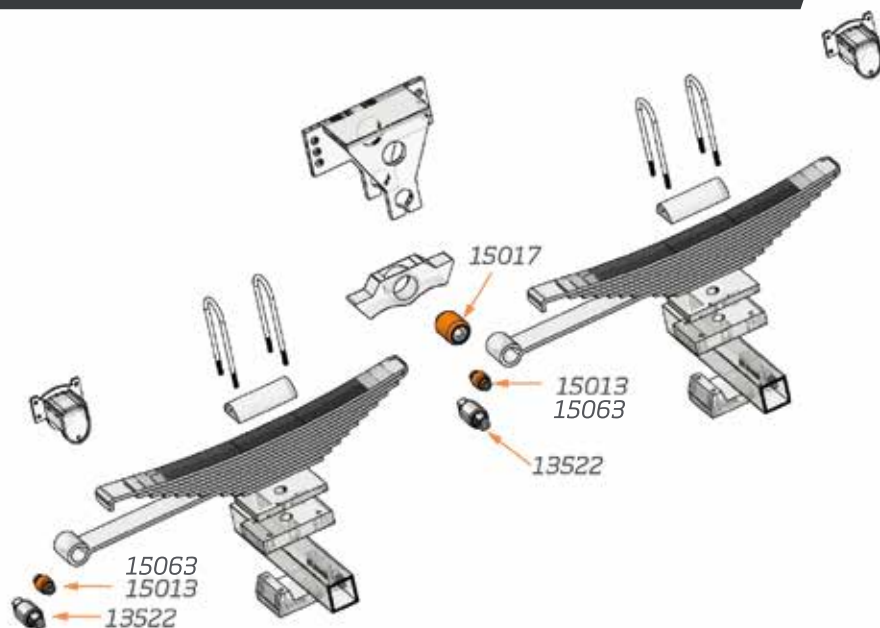
DG130



Códigos GAFF 13522, 14008

4 Muelles

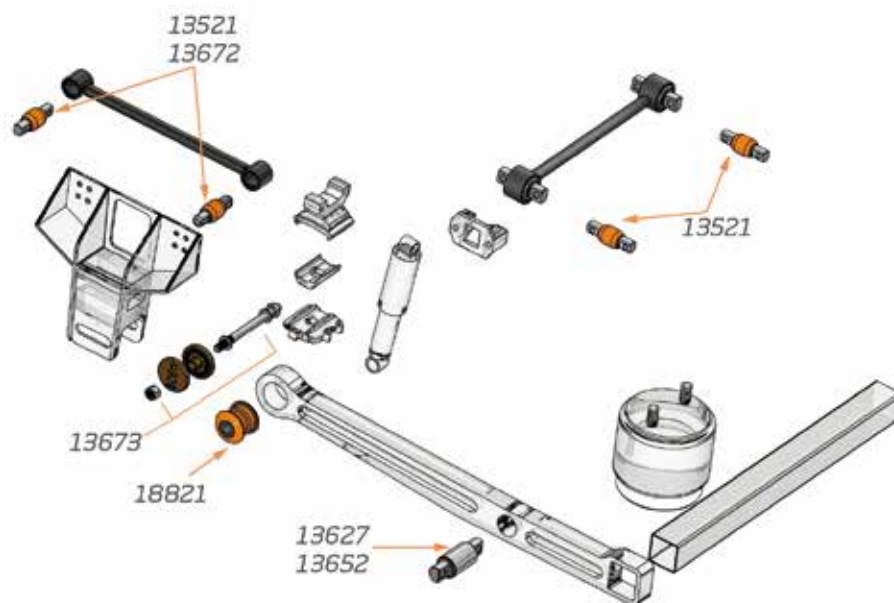
DG131



Códigos GAFF 13522, 15013, 15017, 15063

Primaax EX 262 / 522 / 782, Firemax EX 272 / 542 8 1/2" 10"

DG138



Códigos GAFF 13521, 13627, 13652, 13672, 13673, 18821

Suspensión

Buje para Barra de Torsión

Torque Rod Bushing

13000

✓ A2

	Inch	mm
ID	1 1/4	31.75
OD	2 3/16	55.56
LG	2 3/8	60.33
OD<	1 13/16	46.04



Herramienta: Utiliza: 16
 Diagrama: DG007, Relacionado: 13001, 13044, 13044, 13042
 DG031, DG032, DG033, Modelo: Series F-2W /
 DG034, DG036 Año: Series NT

OEM# UXA000011, 321177

Buje para Barra de Torsión

Torque Rod Bushing

13001

✓ A1

	Inch	mm
ID	1 1/4	31.75
OD	2 3/16	55.56
LG	2 3/8	60.33
OD<	1 13/16	46.04



Herramienta: Utiliza: 16
 Diagrama: DG007, Relacionado: 13000, 13044, 13044, 13042
 DG031, DG032, DG033, Modelo: Series F-2 /
 DG034, DG036 Año: Series NT

OEM# UXA000011

Buje para Balancín

Equalizer Bushing

13003

* B

	Inch	mm
ID	2	50.80
OD	3 7/16	87.31
LG	4 7/16	112.71
OD<	2 11/16	68.26



Herramienta: Utiliza: 8
 Diagrama: DG031, Relacionado: 13004, 13005, 13005, 13011, 13041
 DG032, DG033, DG034, Modelo: Series F-2 /
 DG037, DG039 Año: Series NT

OEM# UXA-000004

Buje para Balancín

Equalizer Bushing

13004

✓ A2

	Inch	mm
ID	2	50.80
OD	3 7/16	87.31
LG	4 13/32	111.92
OD<	2 5/8	66.68



Herramienta: Utiliza: 8
 Diagrama: DG031, Relacionado: 13041, 13005, 13005, 13007
 DG032, DG033, DG034, Modelo: Series F-2 /
 DG037, DG039 Año: Series NT

OEM# UXA-0004, UXA-004-000, UXA-000004

Buje para Balancín

Equalizer Bushing

13005

✓ A1

	Inch	mm
ID	2	50.80
OD	3 1/2	88.90
LG	4 7/16	112.71
OD<	2 11/16	68.26



Herramienta: Utiliza: 8
 Diagrama: DG031, Relacionado: 13004, 13007, 13007, 13041
 DG032, DG033, DG034, Modelo: Series F-2 /
 DG037, DG039 Año: Series T / Series W24T1

OEM# UXA000004

Buje para Balancín

Equalizer Bushing

13007

✓ A2

	Inch	mm
ID	2	50.80
OD	3 7/16	87.31
LG	4 3/8	111.13
OD<	2 5/8	66.68



Herramienta: Utiliza: 8
 Diagrama: DG031, Relacionado: 13004, 13041, 13041, 13011
 DG032, DG033, DG034, Modelo: Series T /
 DG037, DG039 Año: Series W24T1

OEM# UXA-000004

Buje para Muñón

Trunnion Bushing

13009

* B

	Inch	mm
ID	4	101.60
OD	5	127.00
LG	8 1/4	209.55



Herramienta: Utiliza: 4
 Diagrama: DG030, Relacionado: 13037
 DG035, DG038 Modelo:
 Año:

OEM# UXA000160, UXA0001160-SP1

Perno para Balancín

Equalizer Shaft

13011

✓ A2

	Inch	mm
OD	2	50.80
LG	11	279.40
THD	1-14 UNF	



Herramienta: Utiliza: 2
 Diagrama: DG031, Relacionado: 13004, 13007, 13007, 13041
 DG032, DG033, DG034, Modelo: Series F-2 /
 DG037, DG039 Año: Series T / Series W24T1

OEM# UXA0015001

Perno para Barra de Torsión

Torque Rod Shaft

13015



	Inch	mm
OD	1 1/4	31.75
LG	7 1/4	184.15
THD	1-14 UNF	



Herramienta: Utiliza: 8
 Diagrama: DG031, Relacionado: 13000, DG032, DG033, DG034, 13001, 13001, 13042, DG036 Año:
 Modelo: Series NT2-NT2W

OEM# UXA-000016-000

Cojinete para Suspensión

Spring Pad

13037



	Inch	mm
LG	7 5/8	193.68
WD	4 3/4	120.65
TK	1	25.40



Herramienta: Utiliza: 2
 Diagrama: DG030, Relacionado: 13009, DG035, DG038 Modelo:
 Año:

OEM# UCD-5635-001

Kit Bujes para Balancín

Equalizer Bushing Kit

13041



	Inch	mm
THD	1-14 UNF	

Componentes

2 Pzs. 13005 Bujes para Balancín / 2 Qty. 13005 Equalizer Bushing
 1 Pz. 13011 Perno para Balancín / 1 Qty. 13011 Equalizer Shaft



Herramienta: Utiliza: 2
 Diagrama: DG031, Relacionado: 13004, DG032, DG033, DG034, 13007, 13007, 13011, DG037, DG039 Año:
 Modelo: F-2

OEM# UXA-000004-900

Kit Bujes para Barra de Torsión

Torque Rod Bushing Kit

13042



	Inch	mm
THD	1-14 UNF	

Componentes

2 Pzs. 13001 Bujes para Barra de Torsión / 2 Qty. 13001 Torque Rod Bushing
 1 Pz. 13015 Perno para Barra de Torsión / 1 Qty. 13015 Torque Rod Shaft



Herramienta: Utiliza: 16
 Diagrama: DG031, Relacionado: 13000, DG032, DG033, DG034, 13001, 13001, 13015, DG036 Año:
 Modelo: 340

OEM# UXA-000011-900

Buje para Barra de Torsión

Torque Rod Bushing

13043



	Inch	mm
ID	1 1/4	31.75
OD	2 1/8	53.98
LG	2 3/8	60.33
OD <	1 13/16	46.04



Herramienta: Utiliza: 8
 Diagrama: Relacionado: 13000, 13001, 13001, 13015, 13044 Modelo:
 Año:

OEM# UXA000011

Buje para Barra de Torsión

Torque Rod Bushing

13044



	Inch	mm
ID	1 1/4	31.75
OD	2 7/32	56.36
LG	2 5/16	58.74
OD <	1 27/32	46.83



Herramienta: Utiliza: 8
 Diagrama: Relacionado: 13000, 13001, 13001, 13015 Modelo:
 Año:

OEM# UXA000011

Buje para Balancín

Equalizer Bushing

13047



	Inch	mm
ID	2 1/32	51.59
OD	3 1/2	88.90
OD <	2 11/16	68.26



Herramienta: Utiliza: 4
 Diagrama: Relacionado: 13048 Modelo: Series F-2 / Series T / Series W24T1 Año:

OEM# UXA000004

Perno para Balancín

Equalizer Shaft

13048



	Inch	mm
OD	2	50.80
LG	11 1/8	282.58
THD	1-14 UNF	



Herramienta: Utiliza: 2
 Diagrama: Relacionado: 13011 Modelo: Serie T1 Año:

OEM# UXA0015001

Suspensión

Buje para Barra de Torsión 13049

Torque Rod Bushing * B

	Inch	mm
ID	1 1/4	31.75
OD	2 3/16	55.56
LG	2 3/8	60.33
OD<	1 27/32	46.83



Herramienta: Utiliza: 4
 Diagrama: DG059, DG124 Relacionado: 13001, 13004, 13004
 Modelo: Series F-2 / J-2 / P-2 / NT-2 / NT-2W
 Año:

OEM# UXA-000011

Buje para Balancín 14000

Equalizer Bushing ✓ A3

	Inch	mm
OD	3 5/16	84.14
LG	3 7/8	98.43
HO	3/4	19.05
LGC-C	1 11/32	34.13



Herramienta: Utiliza: 4
 Diagrama: DG007, DG058, DG059, DG060, DG061, DG064, DG124, DG127 Relacionado: 14002
 Modelo: Series H-2200 / H-2300 / Series H-9600 / CH-9600 (CAST) / H-7600 / CH-7600(CAST) / Series H-9700 / H-9700 TWS / CH-9700(CAST)
 Año:

OEM# UCA-0472, 7010-00, R301999A

Buje para Barra de Torsión 14003

Torque Rod Bushing * B

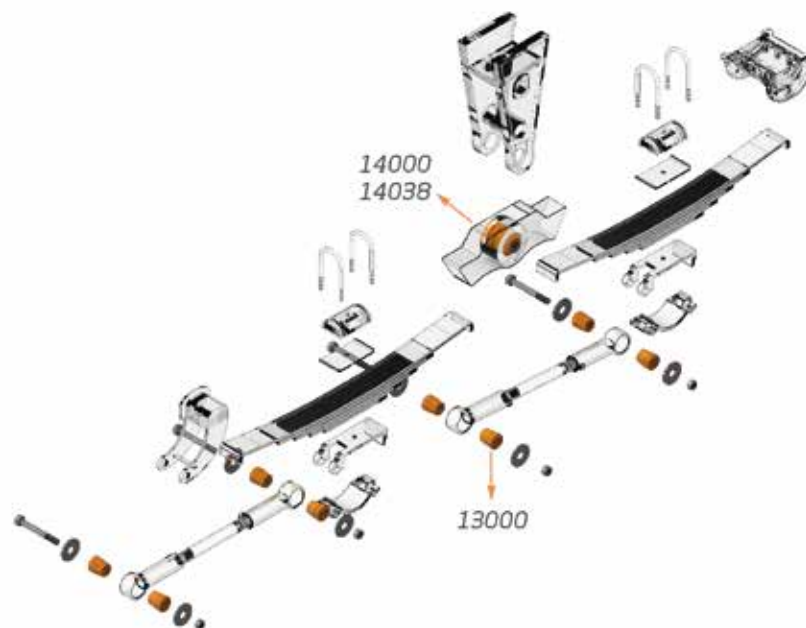
	Inch	mm
ID	1 1/4	31.75
OD	2 3/16	55.56
LG	2 3/8	60.33
OD<	1 3/4	44.45



Herramienta: Utiliza: 2
 Diagrama: DG059, DG124 Relacionado: 14000, 14038
 Modelo:
 Año:

OEM# 7620-00, 3-12-39

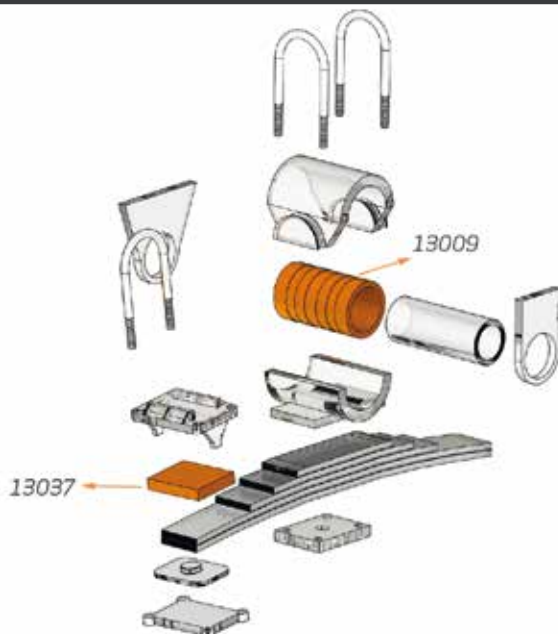
H-9700 / CH-9700 Cast DG007



Códigos GAFF 13000, 14000, 14038

Serie D-2

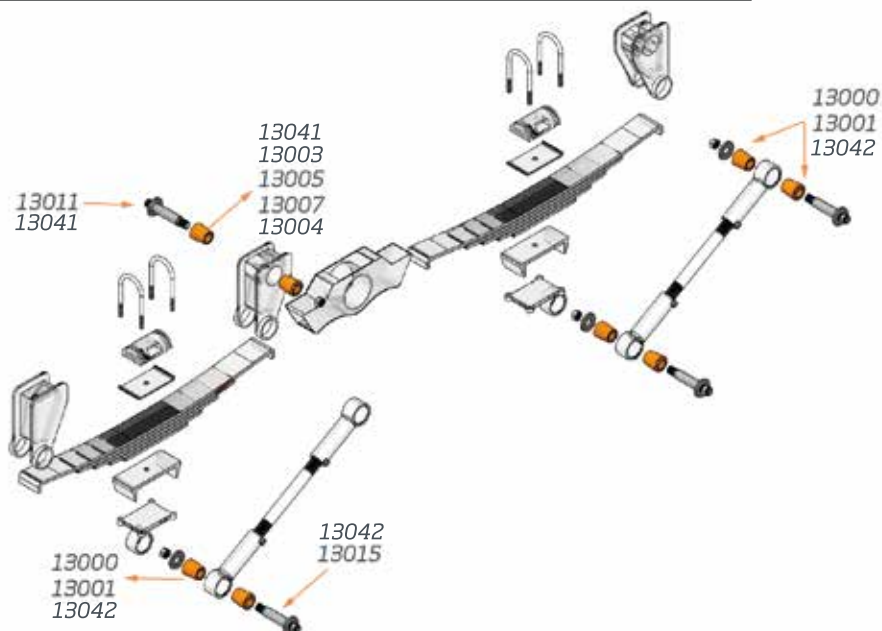
DG030



Códigos GAFF 13009, 13037

Serie F-2 Estándar

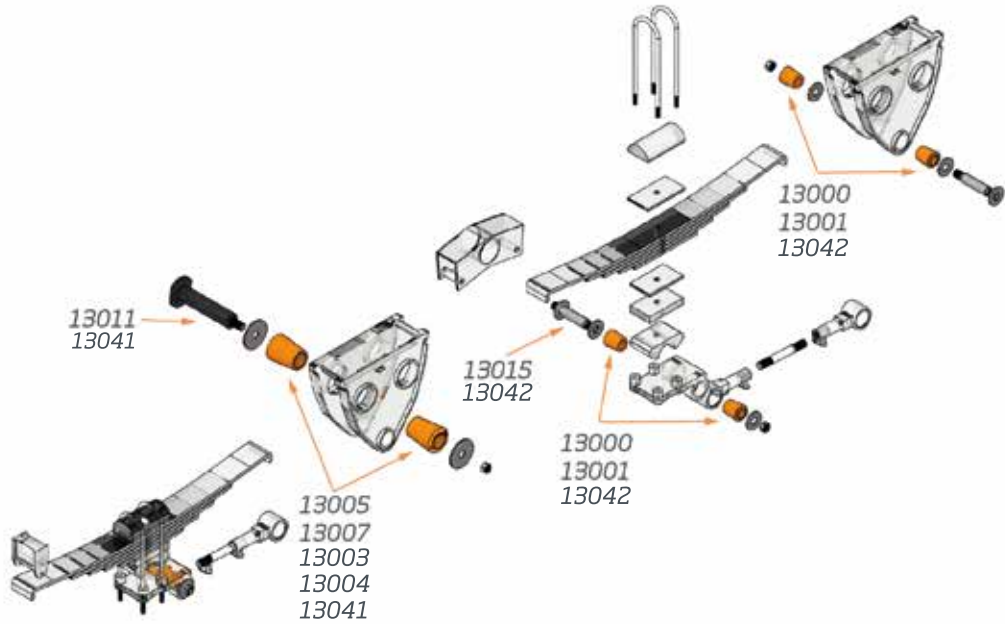
DG031



Códigos GAFF 13000, 13001, 13003, 13004, 13005, 13007, 13011, 13015, 13041, 13042

Serie F-2

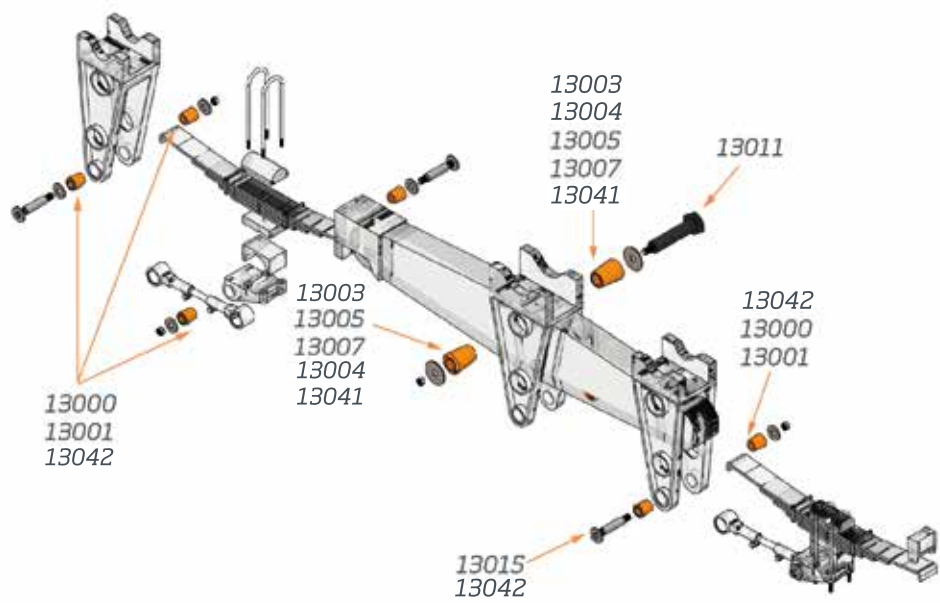
DG032



Códigos GAFF 13000, 13001, 13003, 13004, 13005, 13007, 13011, 13015, 13041, 13042

Serie F-2W

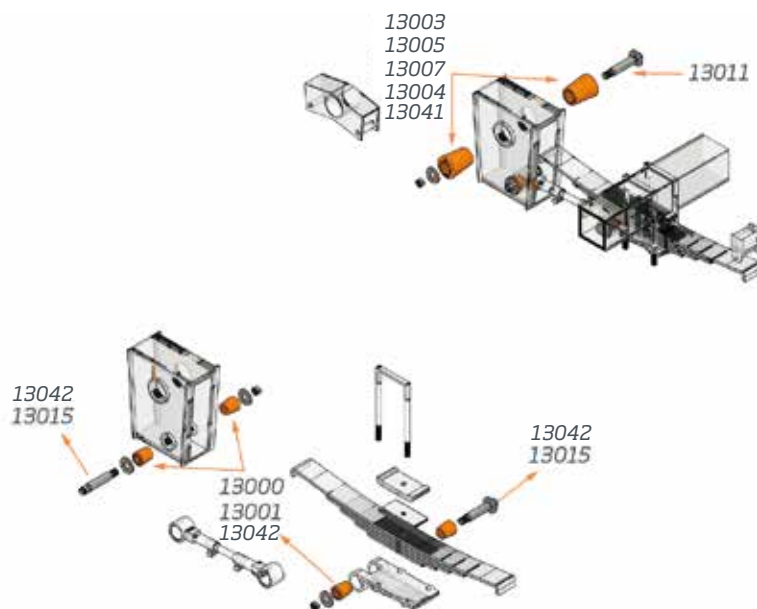
DG033



Códigos GAFF 13000, 13001, 13003, 13004, 13005, 13007, 13011, 13015, 13041, 13042

Series F-2

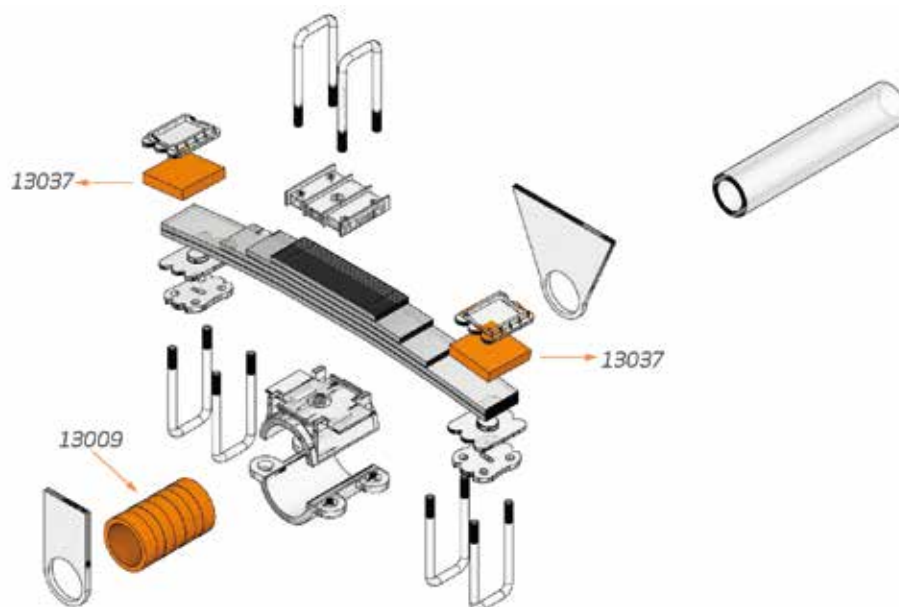
DG034



Códigos GAFF 13000, 13001, 13003, 13004, 13005, 13007, 13011, 13015, 13041, 13042

Serie M-2

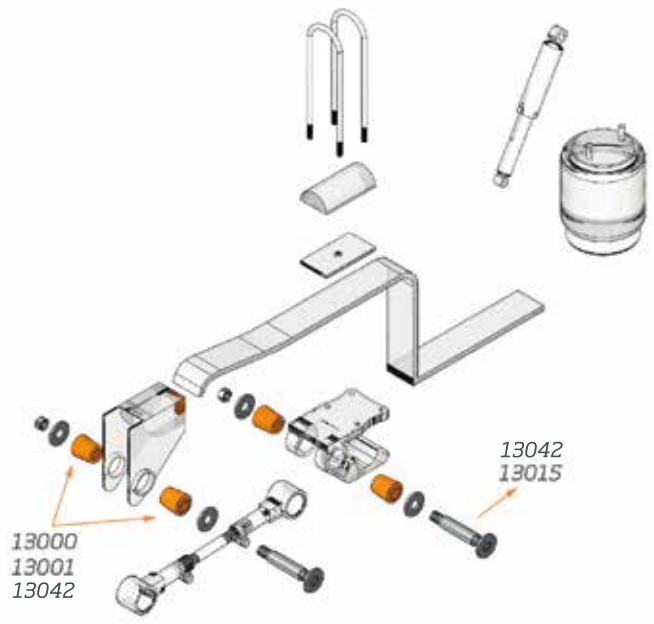
DG035



Códigos GAFF 13009, 13037

Serie NT

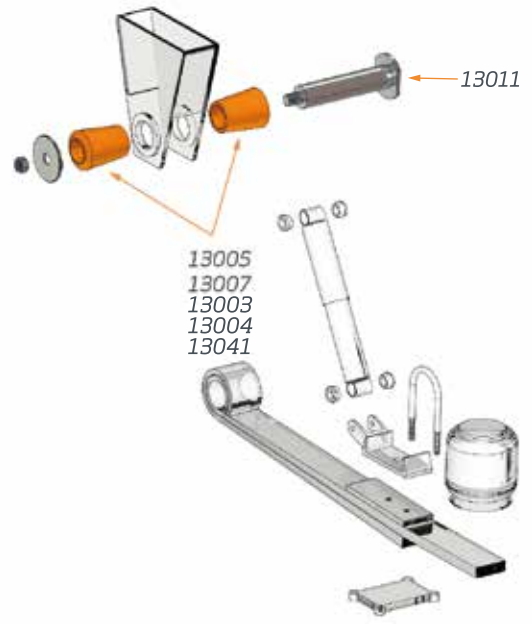
DG036



Códigos GAFF 13000, 13001, 13015, 13042

Serie T

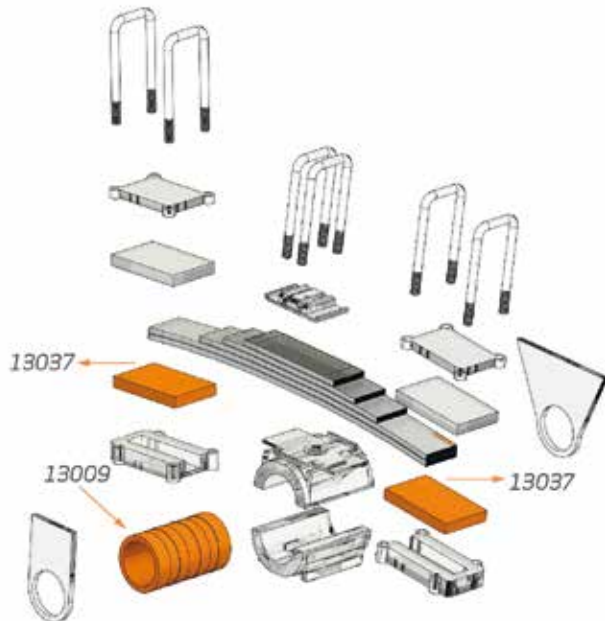
DG037



Códigos GAFF 13003, 13004, 13005, 13007, 13011, 13041

Suspensión Inferior

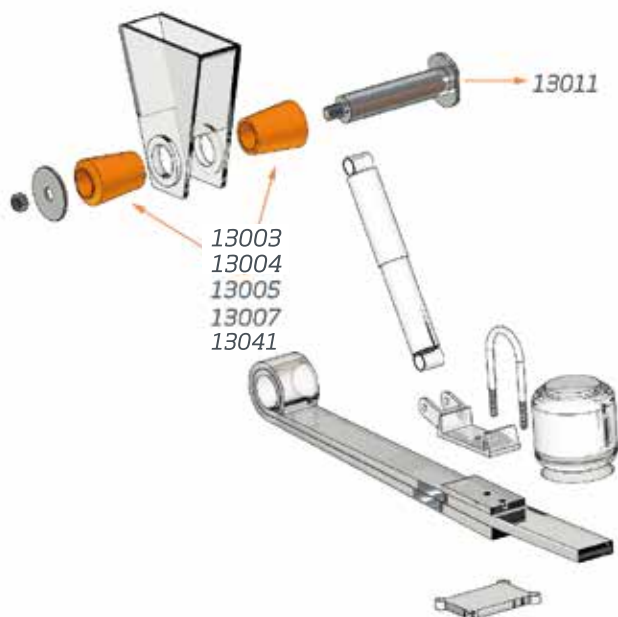
DG038



Códigos GAFF 13009, 13037

W24T1

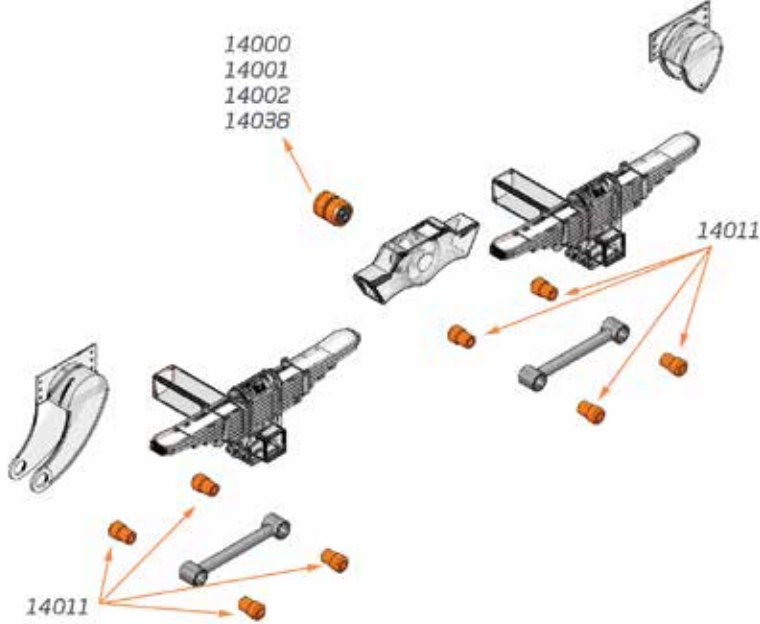
DG039



Códigos GAFF 13003, 13004, 13005, 13007, 13011, 13041

Series H-2200 / H-2300

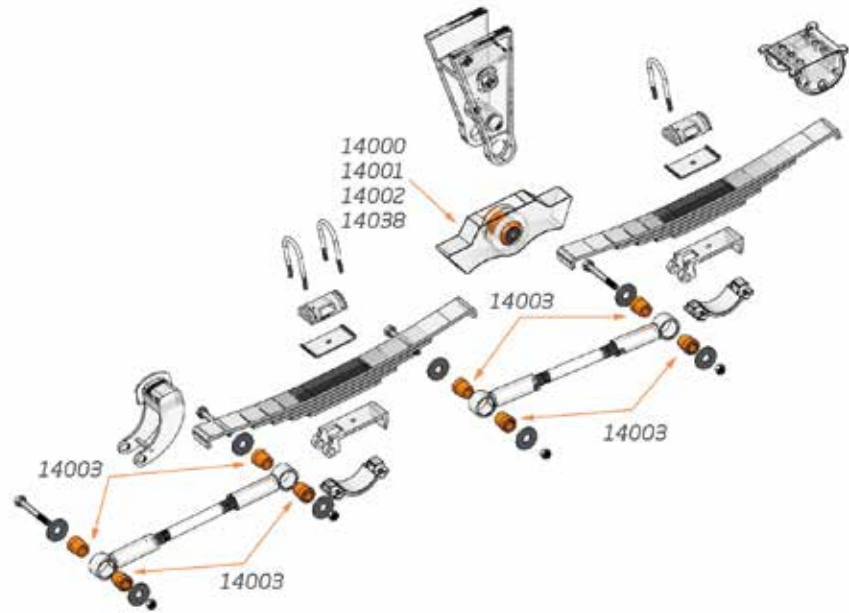
DG058



Códigos GAFF 14000, 14001, 14002, 14011, 14038

Series H-9600 / CH-9600(cast) / H-7600 / CH-7600(cast)

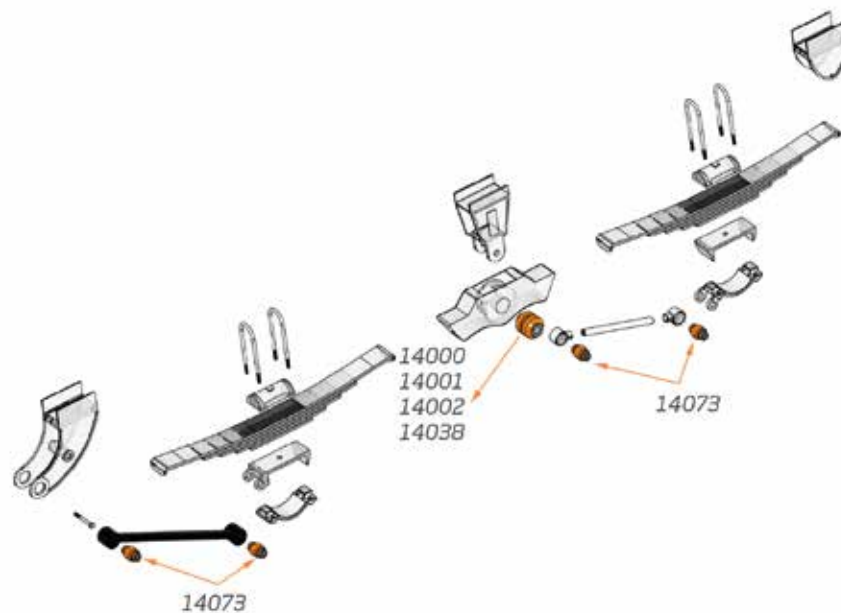
DG059



Códigos GAFF 14000, 14001, 14002, 14003, 14038

Series H-9700/H 9700 TWS / CH 9700(cast)/TWS 54.5/ 61 / 73

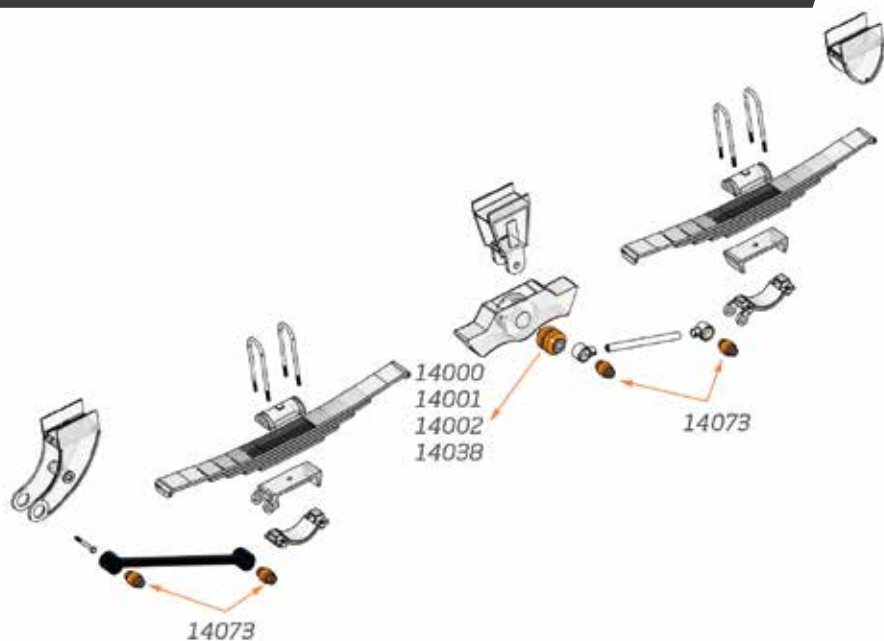
DG060



Códigos GAFF 14000, 14001, 14002, 14038, 14073

Serie H-9700 / CH-9700 / H7700 / CH-7700

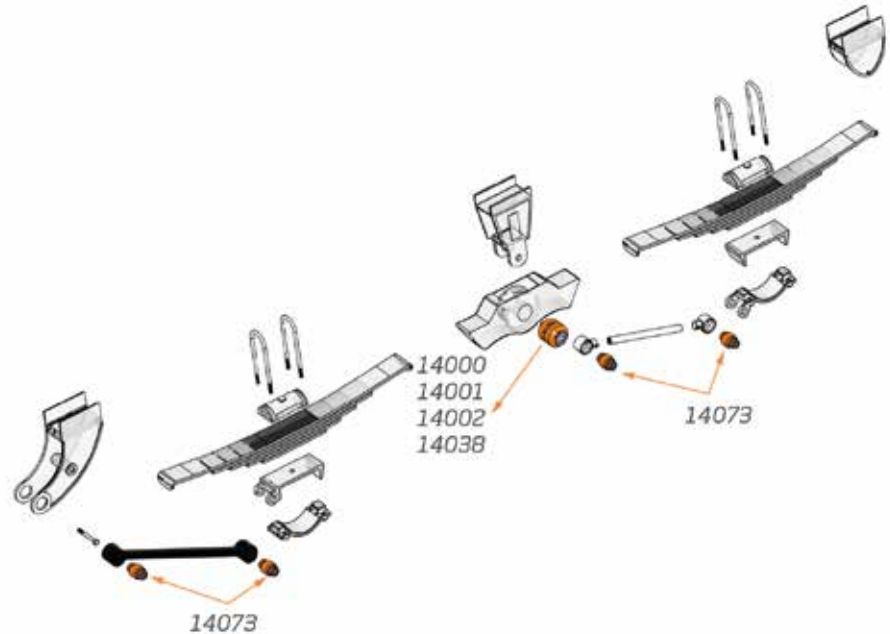
DG061



Códigos GAFF 14000, 14001, 14002, 14038, 14073

Serie H-9700 / CH-9700 / CAST TWS 109 / 121

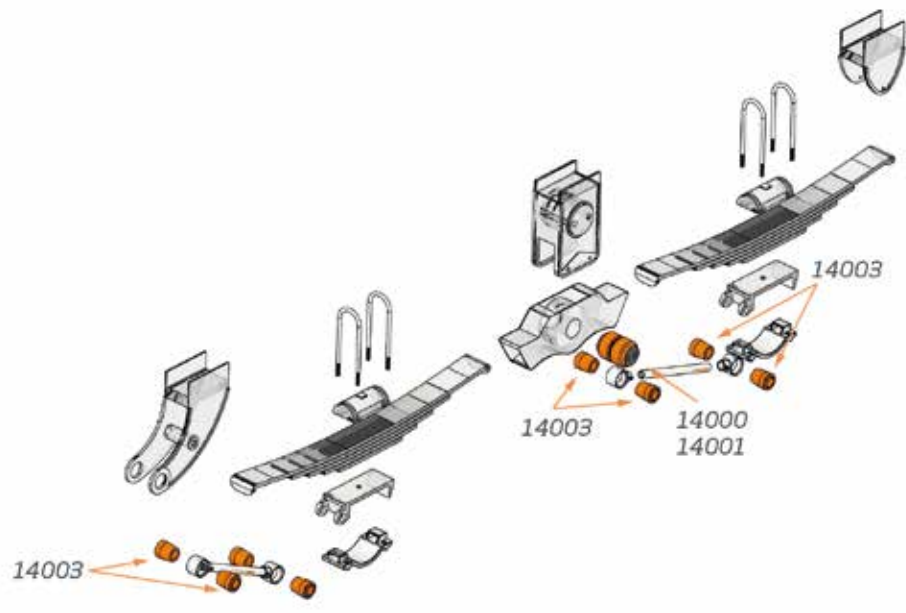
DG064



Códigos GAFF 14000, 14001, 14002, 14038, 14073

4 Muelles

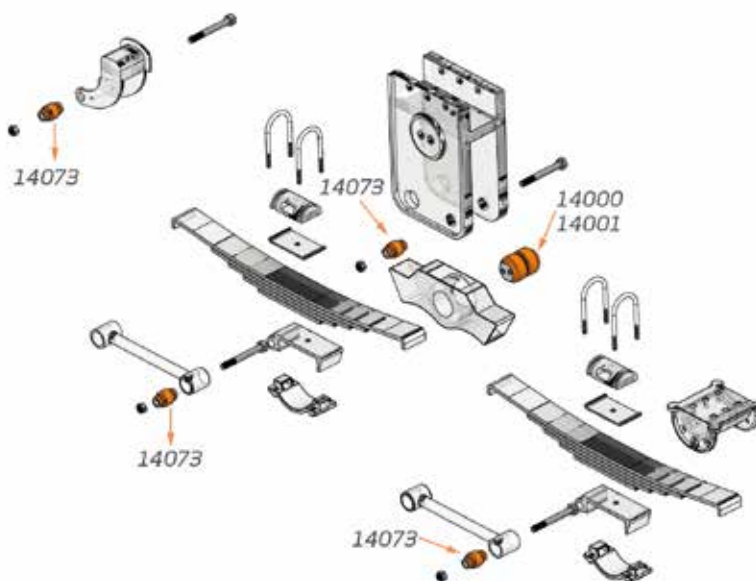
DG124



Códigos GAFF 14000, 14001, 14003

4 Muelles Estándar

DG127



Códigos GAFF 14000, 14001, 14073

Cabina
Empaque

*Soporte para Cabina

Cab Mount

11519



B

	Inch	mm
ID	5/8	15.88
OD	2 7/8	73.03
LG	1 5/16	33.34
OD<	1 13/16	46.04



Herramienta: Utiliza: 4
Diagrama: Relacionado: 11525
Modelo:
Año:

OEM#

Tapón para Tanque de Diesel

Cap for Diesel Tank

18290



B

	Inch	mm
ID	3/8	9.53
OD	1 27/32	46.83
LG	1 7/16	36.51
OD<	1 7/16	36.51



Herramienta: Utiliza: 1
Diagrama: Relacionado:
Modelo:
Año:

OEM#

Empaque para Tapón de Tanque Diésel

Fuel Tank Cap Gasket

18320



A2

	Inch	mm
ID	2 27/32	72.23
OD	3 1/2	88.90
TK	3/32	2.38



Herramienta: Utiliza: 2
Diagrama: Relacionado: 11784
Modelo:
Año:

OEM#

Empaque para Tapón de Tanque Diésel

Fuel Tank Cap Gasket

18688



A4

	Inch	mm
ID	2 3/4	69.85
OD	3 1/2	88.90
TK	3/32	2.38



Herramienta: Utiliza: 2
Diagrama: Relacionado: 18320, 11784, 11784
Modelo:
Año:

OEM#

Empaque para Tapón de Tanque Diésel

Fuel Tank Cap Gasket

34574



B

	Inch	mm
ID	1 7/8	47.63
OD	2 11/32	59.53
TK	3/32	2.38



Herramienta: Utiliza: 2
Diagrama: Relacionado: 18320, 18688, 18688
Modelo:
Año:

OEM# FTA-C-98

Buje para Leva de Freno

Camshaft Bushing

17516



B

	Inch	mm
ID	9/16	14.29
OD	1 3/8	34.93
LG	11/16	17.46



Herramienta: Utiliza: 2
Diagrama: Relacionado: 17538, 17678, 17678
Modelo:
Año:

OEM#

Kit Sello para Conexión de Aire

Glad Hand Seal Kit

17534



A2

	Inch	mm
ID	5/8	15.88
OD	1 5/8	41.28
TK	3/8	9.53

Componentes

1 Pz. 17674 Sello para Conexión de Aire / 1 Qty.
17674 Blue Glad Hand Seal
1 Pz. 17675 Sello para Conexión de Aire / 1 Qty.
17675 Red Glad Hand Seal



Herramienta: Utiliza: 2
Diagrama: Relacionado: 17505, 17501, 17501, 17674, 17675
Modelo:
Año:

OEM# 248579, 126SK11, MCS-4030, 136913R, 441714, 41A3

Sello para Conexión de Aire

Glad Hand Seal

17674



A2

	Inch	mm
ID	11/16	17.46
OD	1 5/8	41.28
LG	3/8	9.53



Herramienta: Utiliza: 2
Diagrama: Relacionado: 17534
Modelo:
Año:

OEM# 248579, 126SK11, MCS-4030, 136913R, 441714, 41A3

Frenos

Sello para Conexión de Aire Glad Hand Seal

17675

✓ A2

	Inch	mm
ID	11/16	17.46
OD	1 5/8	41.28
LG	3/8	9.53



Herramienta: Utiliza: 2
Diagrama: Relacionado: 17534
Modelo:
Año:

OEM# 248579, 126SK11,
MCS-4030, 136913R,
441714, 41A3

Sello para Conexión de Aire Glad Hand Seal

17676

* B

	Inch	mm
ID	11/16	17.46
OD	1 5/8	41.28
LG	3/8	9.53



Herramienta: Utiliza: 2
Diagrama: Relacionado: 17674,
17675, 1767
Modelo:
Año:

OEM# 248579

Rodillo para Zapata Brake Shoe Roller

18248

✓ A5

	Inch	mm
OD	1 1/4	31.75
LG	2 5/16	58.74
WD	1 5/16	33.34
OD<	1	25.40



Herramienta: Utiliza: 4
Diagrama: Relacionado: 18252,
18253, 18253
Modelo:
Año:

OEM# 1259- N-274

Rodillo para Zapata Brake Shoe Roller

18252

* B

	Inch	mm
OD	1 1/4	31.75
LG	2 1/4	57.15
WD	1 5/16	33.34
OD<	3/4	19.05



Herramienta: Utiliza: 4
Diagrama: Relacionado: 18248,
18248, 18248
Modelo:
Año:

OEM# EATON806234

Rodillo para Zapata Brake Shoe Roller

18253

* B

	Inch	mm
OD	1 3/8	34.93
LG	2 1/4	57.15
WD	1 5/16	33.34
OD<	3/4	19.05



Herramienta: Utiliza: 4
Diagrama: Relacionado: 18248,
18252, 18252
Modelo:
Año:

OEM#

Rodillo para Zapata Brake Shoe Roller

18254

✓ A2

	Inch	mm
OD	1 1/2	38.10
LG	2 1/4	57.15
WD	1 5/16	33.34
OD<	3/4	19.05



Herramienta: Utiliza: 4
Diagrama: Relacionado: 18248,
18252, 18252
Modelo:
Año:

OEM#

Dispositivo para Instalación y Desinstalación Installation & Removal Tool

13581

✓ A4

	Inch	mm
BOLT	1 1/8-4 ACME	



Herramienta: Utiliza: 1
Diagrama: Relacionado: 13628,
13510, 13510
Modelo:
Año:

OEM# S-24736

Acople para Bomba de Inyección Coupling For Injection Pump

17506

✓ A2

	Inch	mm
ID	3/4	19.05
OD	2 1/16	52.39
TK	7/16	11.11



Herramienta: Utiliza: 1
Diagrama: Relacionado: 18320
Modelo: Cummins / V12
Año:

OEM# 162426, 109859,
3046200

Frenos

Herramienta

Motor

Motor
Seguridad

Acople para Bomba de Inyección

Coupling For Injection Pump

17507

B

	Inch	mm
ID	1 3/16	30.16
OD	3 17/32	89.69
TK	1 7/32	30.96



Herramienta: Utiliza: 1
Diagrama: Relacionado: 17506
Modelo: Cummins
Año:

OEM# 2581111

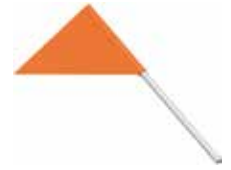
Banderín de Seguridad

Safety Pennant

18005

B

	Inch	mm
LG	19 11/16	500.06
WD	15 5/16	388.94
TK	1/8	3.18



Herramienta: Utiliza: 2
Diagrama: Relacionado:
Modelo:
Año:

OEM#

Tope de Seguridad

Safety Bumper

18009

A2

	Inch	mm
LG	5 7/8	149.23
WD	4 1/8	104.78
H	3 5/16	84.14
HO	9/16	14.29
LGC-C	2 3/8	60.33



Herramienta: Utiliza: 2
Diagrama: Relacionado: 18005,
18455, 18455, 34571
Modelo:
Año:

OEM#

Tope para Llanta

Wheel Chock

18455

A2

	Inch	mm
ID	1	25.40
LG	8 23/32	221.46
WD	5 5/8	142.88
H	6 7/16	163.51



Herramienta: Utiliza: 2
Diagrama: Relacionado: 40095
Modelo:
Año:

OEM#

Tope de Seguridad

Safety Bumper

18550

A4

	Inch	mm
LG	6 7/32	157.96
WD	2 29/32	73.82
H	3 1/2	88.90
HO	11/16	17.46
LGC-C	3 17/32	89.69



Herramienta: Utiliza: 2
Diagrama: Relacionado:
Modelo:
Año:

OEM# 0167802611220

Tope de Seguridad

Safety Bumper

18848

B

	Inch	mm
LG	7 19/32	192.88
WD	5 21/32	143.67
H	3 3/8	85.70
HO	1/2	12.70
LGC-C	5 7/16	138.11



Herramienta: Utiliza: 2
Diagrama: Relacionado:
Modelo:
Año:

OEM#

Banderín de Seguridad

Safety Pennant

34571

B

	Inch	mm
LG	17 1/4	438.15
WD	8	203.20
TK	3/32	2.38



Herramienta: Utiliza: 2
Diagrama: Relacionado: 18005
Modelo:
Año:

OEM#

Tope para Llanta

Wheel Chock

40095

A5

	Inch	mm
LG	12 1/8	307.98
WD	8 13/32	213.52
H	7 29/32	200.82
HO	1	25.40



Herramienta: Utiliza: 2
Diagrama: Relacionado: 18455
Modelo:
Año:

OEM#

Indicador Visual para Torque de Tuercas

Wheel Nut Indicator

40268



	Inch	mm
ID	1 7/16	36.51
LG	2 9/16	65.09
TK	9/32	7.14



Herramienta: Utiliza: 20
 Diagrama: Relacionado:
 Modelo:
 Año: OEM# CPY32MM

Lodera

Mudguard

40281



	Inch	mm
LG	30 21/32	778.67
WD	24 7/32	615.16
HO	5/16	7.94
TK	3/16	4.76



Herramienta: Utiliza: 2
 Diagrama: Relacionado:
 Modelo:
 Año: OEM#

Barra de Torsión Ajustable

Torque Rod Assembly

13765



	Inch	mm
ID	1 29/32	48.42
LG C-C	27 3/8	695.33



Herramienta: Utiliza: 2
 Diagrama: Relacionado:
 Modelo:
 Año: OEM#

Buje para Barra de Torsión

Torque Rod Bushing

14030



	Inch	mm
ID	1	25.40
OD	2 1/16	52.39
LG	3	76.20



Herramienta: Utiliza: 4
 Diagrama: Relacionado:
 Modelo:
 Año: OEM#

Buje para Barra de Torsión

Torque Rod Bushing

15011



	Inch	mm
ID	1	25.40
OD	2 5/16	58.74
LG	2 19/32	65.88
OD<	1 13/16	46.04



Herramienta: Utiliza: 8
 Diagrama: Relacionado: 15010
 Modelo:
 Año: OEM#

Buje para Amortiguador

Shock Absorber Bushing

18004



	Inch	mm
ID	13/32	10.32
OD	1 1/4	31.75
LG	13/16	20.64
OD<	13/16	20.64



Herramienta: Utiliza: 4
 Diagrama: Relacionado: 18011, 18048, 18048
 Modelo:
 Año: OEM#

Buje para Amortiguador

Shock Absorber Bushing

18011



	Inch	mm
ID	3/8	9.53
OD	1 11/32	34.13
LG	3/4	19.05
OD<	19/32	15.08



Herramienta: Utiliza: 4
 Diagrama: Relacionado: 18004, 18048, 18048
 Modelo:
 Año: OEM#

Buje para Amortiguador

Shock Absorber Bushing

18048



	Inch	mm
ID	3/8	9.53
OD	1 19/32	40.48
LG	13/16	20.64
OD<	11/16	17.46



Herramienta: Utiliza: 4
 Diagrama: Relacionado: 18004, 18011, 18011
 Modelo:
 Año: OEM#

Seguridad

Suspensión

Kit Buje para Gancho de Dolly 18558

Drawbar Eye Bushing Kit ✓ A6

	Inch	mm
ID	2	50.80
OD	4 3/16	106.36

Componentes

2 Pzs. Buje para Gancho de Dolly / 2 Qty.
Drawbar Eye Bushing
1 Pz. Arandela / 1 Qty. Washer



Herramienta: Utiliza: 2
Diagrama: Relacionado: 18575
Modelo: Doly Premier
Año: OEM#

Buje para Balancín 18700

Equalizer Bushing ✳ B

	Inch	mm
ID	1 3/16	30.16
OD	2 11/16	68.26
LG	4 3/32	103.98



Herramienta: Utiliza: 2
Diagrama: Relacionado: 14008
Modelo:
Año: OEM# SP7165X1

Buje para Amortiguador 18772

Shock Absorber Bushing ✓ A4

	Inch	mm
ID	15/32	11.91
OD	1 1/32	26.19
LG	23/32	18.26



Herramienta: Utiliza: 4
Diagrama: Relacionado:
Modelo:
Año: OEM#

Arandela para Suspensión 18945

Beam End Washer ✳ B

	Inch	mm
ID	4 5/32	105.57
OD	6 5/8	168.28
TK	17/32	13.49



Herramienta: Utiliza: 2
Diagrama: Relacionado:
Modelo:
Año: OEM#

Buje para Amortiguador 18978

Shock Absorber Bushing ✓ A5

	Inch	mm
ID	7/16	11.11
OD	1 19/32	40.48
LG	7/8	22.23



Herramienta: Utiliza: 4
Diagrama: Relacionado: 18004,
18011, 18011
Modelo:
Año: OEM#

Barra de Torsión 34547

Torque Rod ✳ B

	Inch	mm
ID	1 3/4	44.45
LGC-C	25 3/8	644.53



Herramienta: Utiliza: 2
Diagrama: Relacionado:
Modelo:
Año: OEM#

Gancho para Cofre Hood Latch

50077


	Inch	mm
LG	3 5/8	92.08
WD	2	50.80
HO	5/16	7.94
TK	3/4	19.05
LG C-C	1 1/4	31.75



Herramienta: Utiliza:
Diagrama: Relacionado:
Modelo:
Año:

OEM#236-80-XXX

Buje para Barra de Torsión Torque Rod Bushing

11158


	Inch	mm
OD	2 25/32	70.64
HO	21/32	16.67
LG C-C	4 3/8	111.13



Herramienta: Utiliza: 4
Diagrama: DG103, Relacionado: 34510,
DG104 34509, 34509
Modelo: 340-520 Series / Año:
343-403-463-503-523

OEM#64400-002L

Buje para Barra de Torsión Torque Rod Bushing

11509


	Inch	mm
OD	3 1/2	88.90
HO	21/32	16.67
LG C-C	4 3/8	111.13



Herramienta: Utiliza: 4
Diagrama: DG051 Relacionado: 11500,
Modelo: T600 / T800 / 11501, 11501, 11512,
W900 13520
Año:

OEM#24476-000, K195-415-13, A-2297-U-73A, 932420

Buje para Barra de Torsión Torque Rod Bushing

11561


	Inch	mm
ID	1	25.40
OD	1 3/4	44.45
LG	3	76.20



Herramienta: Utiliza: 4
Diagrama: Relacionado: 14015,
Modelo: 14029, 14029
Año:

OEM#

Buje para Barra de Torsión Torque Rod Bushing

11714


	Inch	mm
OD	2 15/32	62.71
HO	21/32	16.67
LG C-C	4 3/8	111.13



Herramienta: 18833 / Utiliza: 4
40131
Diagrama: DG042 Relacionado: 13518,
Modelo: Series HAS 360 / 13520, 13520, 13582,
400 / 402 / 460 13618
Año:

OEM#57256-000, 57256

Kit Bujes de Rebote Rebound Roller Kit

11747


	Inch	mm
ID	9/16	14.29
OD	2 1/2	63.50
LG	3 5/8	92.08
BOLT	1/2-13 UNC	



Componentes
1 Pz. 11747 G Buje / 1 Qty. 11747 G Bushing
1 Pz. 11747 BM Buje de Acero / 1 Qty. 11747 BM Steel Bushing
1 Pz. HT00080-1 Tuerca Gripco / 1 Qty. HT00080-1 Nylon Insert Nut
2 Pzs. HT00021-2 Arandela / 2 Qty. HT00021-2 Washer
1 Pz. HT00019 Tornillo / 1 Qty. HT00019 Bolt

Herramienta: Utiliza: 6
Diagrama: DG040, Relacionado: 13512,
DG041, DG042, DG044 13520, 13520, 13526,
Modelo: HFS-360/400 13524, 13634
Año:

OEM#57989000C 05D

Barra de Torsión Torque Rod

11800


	Inch	mm
ID	2 3/4	69.85
LG C-C	20 1/4	514.35



Herramienta: Utiliza: 2
Diagrama: Relacionado: 11729,
Modelo: 11793, 11793
Año:

OEM#C65-1008, 62000-540

Buje para Barra de Torsión Torque Rod Bushing

12031


	Inch	mm
OD	2 3/4	69.85
LG	7	177.80
THR	1 1/4-12 UNF	
THD	1 1/4-12 UNF	
BOLT	5/8-18 UNF	



Herramienta: Utiliza: 2
Diagrama: Relacionado: 12072,
Modelo: SS34-38 13528, 13528, 11729,
Camelback 13520
Año: 2000

OEM#46735, 64400-007L, 1688-229240, 1693064C1

Cofre
Suspensión

Barra de Torsión 12379

Torque Rod * B

	Inch	mm
ID	2 3/4	69.85
LG C-C	25 1/2	647.70



Herramienta: Utiliza: 2
 Diagrama: DG099 Relacionado: 13520
 Modelo: Año:

OEM# 62000-635, 62001-635

Buje Central 13500

Center Bushing ✓ A3

	Inch	mm
OD	3 19/32	91.28
LG	12	304.80
OD <	2 3/4	69.85



Herramienta: Utiliza: 2
 Diagrama: DG050, Relacionado: 13501,
 DG052, DG053 13502, 13502, 13504
 Modelo: 340 Año:

OEM# 6664, 29481-5

Buje Lateral 13501

Beam End Bushing ✓ A4

	Inch	mm
ID	2 1/2	63.50
OD	4 3/8	111.13
LG	5 1/4	133.35



Herramienta: 13588 / Utiliza: 4
 18541 / 18542
 Diagrama: DG052, Relacionado: 13500,
 DG053 13502, 13502, 13504
 Modelo: 340 Año:

OEM# 06969-00L

Adaptador para Buje Lateral 13502

Beam End Adapter ✓ A4

	Inch	mm
OD	2 1/2	63.50
LG	6	152.40
BOLT	3/4-16 UNF	



Herramienta: Utiliza: 4
 Diagrama: DG052, Relacionado: 13500,
 DG053 13501, 13501, 13504
 Modelo: RS Año:

OEM# 4500013L

Kit Bujes para Viga 13504

Beam Bushing Kit ✓ A5

	Inch	mm
BOLT	3/4-16 UNF	

Componentes

2 Pzs. 13500 Buje Central / 2 Qty. 13500 Center Bushing
 4 Pzs. 13501 Buje Lateral / 4 Qty. 13501 Beam End Bushing
 4 Pzs. 13502 Adaptador para Viga / 4 Qty. 13502 Beam Adapter



Herramienta: Utiliza: 1
 Diagrama: DG053 Relacionado: 13500,
 Modelo: 340 13501, 13501
 Año:

OEM# HCK340LP

Buje Central 13505

Center Bushing ✓ A1

	Inch	mm
OD	4 3/4	120.65
LG	12	304.80
OD <	3 1/2	88.90



Herramienta: 13570 / Utiliza: 2
 18539 Relacionado: 13506,
 Diagrama: DG049, DG054 13507, 13507, 13509,
 Modelo: Series 380 / Series RS 13553, 13543, 13560,
 400 / 403 / 460 / 463 / Series RS / 13566, 13568, 13574,
 RTE 400 / 403 / 460 / 463 13587
 Año:

OEM# 05919-000L, 49600-000L

Buje Lateral 13506

Beam End Bushing ✓ A1

	Inch	mm
ID	2 1/2	63.50
OD	4 3/8	111.13
LG	5 3/4	146.05



Herramienta: 13588 / Utiliza: 4
 18541 / 18542
 Diagrama: DG120 Relacionado: 13505,
 Modelo: Series RS 400 / 403 / 13507, 13507, 13553,
 460 / 463 / Series RT 380 / 440 // 13543, 13560, 13566,
 Moparalos RD-202C-54-44L-0L 13568, 13574, 13587
 Año:

OEM# 45900-000

Adaptador para Buje Lateral 13507

Beam End Adapter ✓ A1

	Inch	mm
OD	3 1/2	88.90
LG	6 1/2	165.10
BOLT	3/4-16 UNF	



Herramienta: Utiliza: 4
 Diagrama: DG049, Relacionado: 13505,
 DG050, DG093, DG120, 13506, 13506, 13553,
 DG135 13543, 13560, 13566,
 Modelo: 340 / 440 Series RS 400 / 13568, 13574, 13587
 403 / 460 / 463 / Series RT 380 / 440 / Series ARDST / ARDSTM / LS123-6
 Año:

OEM# 45000-007, 90001002

Kit Bujes para Viga Beam Bushing Kit

13508



Componentes

4 Pzs. 13506 Buje Lateral / 4 Qty. 13506 Beam End Bushing

2 Pzs. 13505 Buje Central / 2 Qty. 13505 Center Bushing



Herramienta: Utiliza: 1
Diagrama: Relacionado: 13505, 13506, 13506, 13509, 13553, 13543, 13560, 13566, 13568, 13574, 13587
Modelo:
Año:

OEM# HCK340LP, 49600-000L, 45900-000

Kit Bujes para Viga Beam Bushing Kit

13509



BOLT $\frac{3}{4}$ -16 UNF $\frac{1}{2}$ mm

Componentes

2 Pzs. 13505 Buje Central / 2 Qty. 13505 Center Bushing

4 Pzs. 13506 Buje Lateral / 4 Qty. 13506 Beam End Bushing

4 Pzs. 13507 Adaptador para Viga / 4 Qty. 13507 Beam Adapter



Herramienta: Utiliza: 1
Diagrama: Relacionado: 13505, 13506, 13506, 13508, 13553, 13543, 13560, 13566, 13568, 13574, 13587
Modelo: 340/440
Año:

OEM# H53001

Kit Buje Tri-Funcional Tri-Functional Bushing Kit

13510



BOLT $1\frac{1}{8}$ -7 UNC $\frac{1}{2}$ mm

1 Pz. 13565 Buje Tri-Funcional / 1 Qty. 13565 Tri-Functional Bushing

1 Pz. 13541 Buje Interior para Buje Tri-Funcional / 1 Qty. 13541 Inner Bushing Sleeve

1 Pz. 13542 Arandelas para Buje Tri-Funcional / 1 Qty. 13542 Tri-Functional Washers Bushing

1 Pz. 18434 Tornillo y Tuerca para Buje / 1 Qty. 18434 Bushing Bolt & Nut



Herramienta: 13571/13581 Utiliza: 2
Diagrama: DG048 Relacionado: 13541, 13542, 13542, 13600, 13604
Modelo: HT300
Año:

OEM# A-6914

Buje para Muelle Spring Bushing

13511



	Inch	mm
ID	1	25.40
OD	2 3/8	60.33
LG	3 1/8	79.38



Herramienta: Utiliza: 4
Diagrama: Relacionado: 13512, 13513, 13513
Modelo: E4 Series
Año:

OEM# 47421, 48401, 48929

Buje Lateral Beam End Bushing

13512



	Inch	mm
ID	7/8	22.23
OD	2 3/8	60.33
LG	3 1/8	79.38



Herramienta: Utiliza: 2
Diagrama: DG040 Relacionado: 13511, 13513, 13513
Modelo: Serie E4-360/400
Año:

OEM# 47421

Buje para Balancín Equalizer Bushing

13513



	Inch	mm
ID	1	25.40
OD	2 1/2	63.50
LG	4 23/32	119.86



Herramienta: Utiliza: 2
Diagrama: DG066 Relacionado: 10028
Modelo: 8100 / 9200 Single Axle
Año:

OEM# 497501C2

Buje para Barra de Torsión Torque Rod Bushing

13514



	Inch	mm
ID	1 1/8	28.58
OD	3	76.20
LG	3 1/4	82.55



Herramienta: Utiliza: 2
Diagrama: Relacionado: 13515, 13516, 13516
Modelo: Famsa
Año: 2000

OEM# 45477, 322069C1, 322069C91

Buje para Barra de Torsión Torque Rod Bushing

13515



	Inch	mm
OD	3	76.20
HO	13/16	20.64
LG C-C	5 11/16	144.46



Herramienta: Utiliza: 4
Diagrama: Relacionado: 13514, 13516, 13516
Modelo:
Año:

OEM# 476991, 73073-1

Suspensión

Buje para Barra de Torsión 13516

Torque Rod Bushing * B

	Inch	mm
ID	1 1/8	28.58
OD	2 3/4	69.85
LG	3 1/4	82.55



Herramienta: Utiliza: 4
Diagrama: Relacionado: 13514, 13515, 13515
Modelo:
Año:

OEM# 46736, 64400-010L, 1693069C1

Buje para Barra de Torsión 13517

Torque Rod Bushing * B

	Inch	mm
OD	2 3/4	69.85
HO	13/16	20.64
LGC-C	5 11/16	144.46



Herramienta: Utiliza: 4
Diagrama: Relacionado: 13514, 13515, 13515
Modelo:
Año:

OEM# 46734, 64400-009L, 1693070C1

Buje para Barra de Torsión 13518

Torque Rod Bushing ✓ A1

	Inch	mm
OD	2 3/4	69.85
LG	8 1/16	204.79
THR	1 1/4-12 UNF	
THD	1 1/4-12 UNF	
BOLT	5/8-18 UNF	



Herramienta: 13584 / 18833 / 40131
Diagrama: DG049, DG050, DG053, DG054, DG134
Año:
Utiliza: 2
Relacionado: 13520
Modelo: Series RS 400/ 403/ 460/ 463/ Series RT 380/ 440/ Series RS/ RTE 400/ 403/ 460/ 463

OEM# 229610, 44697, 64400-004L, 66649-004, 44697-000L, 1693066C1, 02-29610, 229610

Buje para Barra de Torsión 13520

Torque Rod Bushing ✓ A2

	Inch	mm
OD	2 3/4	69.85
HO	21/32	16.67
LGC-C	4 3/8	111.13



Herramienta: 40131 / 18551 / 18833
Diagrama: DG042, DG049, DG050, DG053, DG054, DG065, DG066, DG068, DG098, DG099, DG128, DG134
Año:
Modelo: Series RS 400/403/ 460/ 463/ Series RT 380/ 440/ Series RS/ RTE 400/403/ 460/ 463

OEM# 44695-000L, 227720, 836940, 839310, 44695, 64400-002L, 66649-002, 1693061C1, 1688-227720, 02-27720, 227720

Buje para Barra de Torsión 13521

Torque Rod Bushing ✓ A1

	Inch	mm
OD	2	50.80
HO	21/32	16.67
LG C-C	4 13/32	111.92



Herramienta: 11071/18836
Diagrama: DG040, DG041, DG042, DG043, DG044, DG045, DG046, DG047
Año:
Modelo: Primaax EX 262/522/782/Firemaax EX 272/542/ Primaax 230/460/690/Firemaax 240/480/Series E4-360/400

OEM# A16-119448, HDR 47691 000L, 47691000, 47691, 47691-000L, H476 91000L, HD47691000L, HUD4769100 0L, 47691, HDR47691000L, 4000-476 91000L, 85107110, 47691-000L, R305 275, 47691

Buje para Barra de Torsión 13523

Torque Rod Bushing * B

	Inch	mm
OD	3	76.20
HO	13/16	20.64
LGC-C	5 7/8	149.23



Herramienta:
Diagrama:
Modelo:
Año:

OEM#

Kit Cojinete de Desgaste 13524

Wear Pad Kit ✓ A4

	Inch	mm
LG	6 25/32	172.24
WD	3	76.20
H	2 7/8	73.03
HO	7/16	11.11
BOLT	3/8-16 UNC	



Componentes
 1 Pz. Cojin / 1 Qty. Pad
 2 Pzs. HL00024 Placa Met-lica / 2 Qty. HL00024 Metallic Plates
 4 Pzs. HT00012-2 Tornillo / 4 Qty. HT00012-2 Bolts
 4 Pzs. HT00013-2 Arandelas / 4 Qty. HT00013-2 Washer

Herramienta: Utiliza: 4
Diagrama: DG042, DG114, DG115
Modelo: Has 360 / 400 / 402 / 460
Año:

OEM# 56557-002

Buje para Balancín 13526

Equalizer Bushing ✓ A4

	Inch	mm
ID	1	25.40
OD	2 3/4	69.85
LG	4 3/8	111.13



Herramienta: Utiliza: 2
Diagrama: DG040, DG044
Modelo: Series E4-360/ 400
Año:

OEM# 47420, 48402, 48932, E4HZ5872A

Kit Bujes de Rebote

Rebound Roller Kit

13527



Componentes

1 Pz. 13821 Bujes de Goma / 1 Qty. 13821 Rubber Bushing
 1 Pz. HT00019 Tornillo / 1 Qty. HT00019 Bolt
 1 Pz. HT00080-1 Tuerca / 1 Qty. HT00080-1 Nut
 4 Pzs. HT00021-2 Arandela / 4 Qty. HT00021-2 Washers



Herramienta: Utiliza: 6
 Diagrama: Relacionado: 13582, 13524, 13524, 13627, 13672, 13598, 14010
 Modelo:
 Año:

OEM# 24531-14

Buje para Barra de Torsión

Torque Rod Bushing

13528



	Inch	mm
OD	2 3/4	69.85
HO	3/4	19.05
LG C-C	4 3/8	111.13



Herramienta: Utiliza: 4
 Diagrama: Relacionado: 13518, 13520, 13520, 11714, 13536, 13582, 13618
 Modelo:
 Año:

OEM# 49210

Kit Buje Lateral

Beam End Bushing Kit

13531



BOLT	Inch	mm
	1-8 UNC	

Componentes

1 Pz. 13580 Buje Lateral / 1 Qty. 13580 Beam End Bushing
 2 Pzs. HT00030 Tornillo / 2 Qty. HT00030 Bolt
 2 Pzs. HT00029 Tuerca / 2 Qty. HT00029 Nut
 4 Pzs. HT00006-1 Arandela / 4 Qty. HT00006-1 Washers
 4 Pzs. 13665 Arandela de Nivelación Manual / 4 Qty. 13665 Levening Manual Washer



Herramienta: 13588, Utiliza: 4
 13595, Relacionado: 13534, 13548, 13548, 13580
 Diagrama: DG043, DG045, DG049, DG054 Año:
 Modelo: Haulmax / Series HN-402 / 460 / 462 / 522V / Series RS 400 / 403 / 460 / 463 / Series RS / RTE 400 / 403 / 460 / 463

OEM# 34013-088L

Buje Central de Bronce

Bronze Center Bushing

13534



	Inch	mm
ID	2 1/2	63.50
OD	4 3/4	120.65
LG	12	304.80



Herramienta: Utiliza: 2
 Diagrama: DG049, Relacionado: 13531, DG054, 13548, 13548, 13580
 Modelo: Series RS 400 / 403 / 460 / 463
 Año:

OEM# 34013-054L

Buje para Barra de Torsión

Torque Rod Bushing

13536



	Inch	mm
OD	2 15/16	74.61
HO	21/32	16.67
LG C-C	4 3/8	111.13



Herramienta: 18831 Utiliza: 4
 Diagrama: Relacionado: 13518, 13520, 13520, 11714, 13582, 13618
 Modelo:
 Año:

OEM# 44695, 64400-002L, 66649-002

Buje Central

Center Bushing

13538



	Inch	mm
OD	3 5/8	92.08
LG	5 1/8	130.18



Herramienta: Utiliza: 1
 Diagrama: Relacionado:
 Modelo: AR 34K / 38K
 Año:

OEM#

Buje Interior para Buje Tri-Funcional

Inner Bushing Sleeve

13541



	Inch	mm
ID	1 1/8	28.58
OD	1 1/4	31.75
LG	6 3/4	171.45



Herramienta: Utiliza: 2
 Diagrama: DG116, Relacionado: 13510, 13542, 13542, 13600, 13604
 Modelo:
 Año:

OEM# A-20681, B-7342

Arandelas para Buje Tri-Funcional

Tri-Functional Washers Bushing

13542



	Inch	mm
ID	2 3/8	60.33
OD	7	177.80
TK	11/32	8.73



Herramienta: Utiliza: 2
 Diagrama: DG002, Relacionado: 13599, DG116, 13772, 13772, 13617
 Modelo:
 Año:

OEM# B11613, S11613, 258892C91, R306122

Suspensión

Buje Central Center Bushing

13543

* B

	Inch	mm
ID	2 1/2	63.50
OD	4 3/4	120.65
LG	12	304.80



Herramienta: Utiliza: 2
Diagrama: DG051 Relacionado: 13505, 13506, 13506, 13508, 13553, 13509, 13560, 13566, 13568, 13574, 13587
Modelo:
Año:

OEM# 22282-000L

Buje Central Center Bushing

13544

* B

	Inch	mm
ID	3	76.20
OD	5 1/2	139.70
LG	14 5/8	371.48
OD<	4	101.60



Herramienta: Utiliza: 2
Diagrama: DG051 Relacionado: 13545, 13546, 13546, 18909
Modelo: 650
Año:

OEM# 10366-000L, 10366

Buje Lateral Beam End Bushing

13545

* B

	Inch	mm
ID	3	76.20
OD	6	152.40
LG	6	152.40



Herramienta: Utiliza: 4
Diagrama: DG051 Relacionado: 13544, 13546, 13546, 18909
Modelo: R650
Año:

OEM# 10363-000L, 10363

Buje Lateral Beam End Bushing

13546

* B

	Inch	mm
ID	3	76.20
OD	5 31/32	151.61
LG	7	177.80



Herramienta: Utiliza: 2
Diagrama: Relacionado: 13745
Modelo: RT / RTE 65K & 70K
Año:

OEM# 10364-000

Adaptador para Buje Lateral Beam End Adapter

13547

* B

	Inch	mm
ID	2	50.80
OD	3	76.20
LG	10	254.00
HO	13/64	5.16
THR	3-12 UNF	
THD	3-12 UNF	



Herramienta: Utiliza: 4
Diagrama: DG051, DG052 Relacionado: 13544, 13545, 13545
Modelo: R650
Año:

OEM# 10372-000L, 21140-7 / 211407

Kit Bujes para Viga Beam Bushing Kit

13548

✓ A3

	Inch	mm
BOLT	1-8 UNC	

Componentes

2 Pzs. 13505 Bujes Central / 2 Qty. 13505 Central Bushings
 4 Pzs. 13531 Kit para Buje Lateral / 4 Qty. 13531 Beam End Bushing Kit



Herramienta: Utiliza: 1
Diagrama: DG049, DG054 Relacionado: 13531, 13534, 13534, 13580
Modelo: 400 / 460 / RT2 / RTE
Año:

OEM# 05919-000L, 34013-88L

Cojinete de Desgaste Wear Pad

13550

✓ A2

	Inch	mm
LG	3 3/16	80.96
WD	3 23/32	94.46
H	1 17/32	38.89



Herramienta: Utiliza: 4
Diagrama: DG042 Relacionado: 11747, 11714, 11714, 13629, 13634
Modelo: Series HAS 360 / 400 / 402 / 460
Año:

OEM# 56929-000, 571960C1

Buje Lateral Beam End Bushing

13553

✓ A2

	Inch	mm
ID	2 1/2	63.50
OD	4 3/8	111.13
LG	5 3/4	146.05
OD<	4 7/32	107.16



Herramienta: 13563 / 13595 Utiliza: 4
Diagrama: DG049, DG050 Relacionado: 13505, 13506, 13506, 13508, 13509, 13543, 13560, 13566, 13568, 13574, 13587
Modelo: Series RS 400 / 403 / 460 / 463 / Series RT 380 / 440
Año:

OEM# 45900-000, 124892R1

Kit Buje Central de Bronce

Bronze Center Bushing Kit

13558



Componentes

2 Pzs. 13534 Buje Central de Bronce / 2 Qty. 13534 Bronze Center Bushing



Herramienta: Utiliza: 1
 Diagrama: DG054 Relacionado: 13534
 Modelo: Series R400 / 430 / 460 / 463 / RT / RTE / RTZ / RTEZ / 343
 Año:

OEM# 30437-000

Buje Lateral

Beam End Bushing

13560



	Inch	mm
ID	2 1/2	63.50
OD	4 3/8	111.13
LG	6	152.40



Herramienta: Utiliza: 2
 Diagrama: Relacionado: 13505, 13506, 13506, 13508, 13509, 13543, 13566, 13568, 13574, 13587
 Modelo: Año:

OEM# 45407

Buje Tri-Funcional

Tri-Functional Bushing

13565



	Inch	mm
ID	1 1/4	31.75
OD	5 15/16	150.81
LG	6 3/4	171.45



Herramienta: 13571 / Utiliza: 2
 13581
 Diagrama: Relacionado: 13510, 13541, 13541
 Modelo: Año:

OEM# C-3558, E3772, 334-658, 09-6200

Kit Buje Lateral

Beam End Bushing Kit

13566



Componentes

1 Pz. 13506 Buje Lateral / 1 Qty. 13506 Beam End Bushing

1 Pz. 13609 Adaptador para viga / 1 Qty. 13609 Beam Adapter



Herramienta: Utiliza: 4
 Diagrama: Relacionado: 13506, 13609, 13609
 Modelo: 380 / 440
 Año:

OEM#

Kit Bujes para Viga

Beam Bushing Kit

13568



	Inch	mm
BOLT	1-14 UNF	

Componentes

2 Pzs. 13505 Buje Central / 2 Qty. 13505 Center Bushing
 4 Pzs. 13506 Buje Lateral / 4 Qty. 13506 Beam End Bushing
 4 Pzs. 13609 Adaptador para viga / 4 Qty. 13609 Beam Adapter



Herramienta: Utiliza: 1
 Diagrama: Relacionado: 13505, 13506, 13506
 Modelo: Año:

OEM#

Kit Bujes para Viga

Beam Bushing Kit

13574



	Inch	mm
BOLT	3/4-16 UNF	

Componentes

2 Pzs. 13500 Buje Central / 2 Qty. 13500 Center Bushing
 4 Pzs. 13506 Buje Lateral / 4 Qty. 13506 Beam End Bushing
 4 Pzs. 13507 Adaptador para Buje Lateral / 4 Qty. 13507 Beam End Adapter



Herramienta: Utiliza: 1
 Diagrama: Relacionado: 13500, 13506, 13506
 Modelo: 340 / 440 Series RS 400 / 403 / 460 / 463 / Series RT 380 / 440 / Series ARDSTV / ARDSTM / LS123-6 / LS-244-6 / LS-246-6 / Series AD-123 / 246-6.5, 8.75, 10 /
 Año:

OEM# 6664, 29481-5, 45900, 45000-007, 900 01 002

Buje Lateral

Beam End Bushing

13580



	Inch	mm
OD	4 3/8	111.13
LG	4 21/32	118.27
HO	1 1/16	26.99
LG C-C	8 1/2	215.90



Herramienta: Utiliza: 4
 Diagrama: Relacionado:
 Modelo: Año:

OEM# 34013-88L, 34013-87, 50150000, 50160000

Buje para Barra de Torsión

Torque Rod Bushing

13582



	Inch	mm
OD	2	50.80
LG	8 1/16	204.79
THR	1 1/4-12 UNF	
THD	1 1/4-12 UNF	
BOLT	5/8-18 UNF	



Herramienta: Utiliza: 2
 Diagrama: DG043, Relacionado: 13518, DG045, DG046, DG047, 13520, 13520
 DG104
 Modelo: HN-460 Año:

OEM# 64697-000

Suspensión

Kit Bujes para Viga Beam Bushing Kit

13587 A5

BOLT 3/4-16 UNF

Componentes

4 Pzs. 13553 Buje Lateral / 4 Qty. 13553 Beam End Bushing
 2 Pzs. 13505 Buje Central / 2 Qty. 13505 Central Bushing
 4 Pzs. 13507 Adaptador para Buje / 4 Qty. 13507 Adapter Bushing



Herramienta: Utiliza: 1
Diagrama: DG049 **Relacionado:** 13505, 13506, 13506, 13508, 13509, 13543, 13553, 13560, 13566, 13568, 13574
Modelo: RT / RTE 340 / 343 / 400 / 460 / 463
Año: 1997

OEM# HCK340LP

Buje Vertical Vertical Bushing

13592 B

ID 2 **Inch** 50.80
OD 4 1/8 **mm** 104.78
LG 4 **mm** 101.60



Herramienta: Utiliza: 2
Diagrama: DG049 **Relacionado:** 13649, 13650, 13650
Modelo: HN-460
Año:

OEM# 19279, 19279-000L

Kit Buje Tri-Funcional Tri-Functional Bushing Kit

13594 A2

ID 1 1/4 **Inch** 31.75
OD 6 **mm** 152.40
LG 3 5/8 **mm** 92.08
OD< 2 13/16 **mm** 71.44
BOLT 7/8-9 UNC



Componentes

1 Pz. 13736 Buje Tri-Funcional / 1 Qty. 13736 Tri-Functional Bushing
 1 Pz. 13673 Kit Arandela de Alineación Céntrica y Excéntrica / 1 Qty. 13673 Eccentric Washer - Bolt Kit
 1 Pz. 13648 Arandelas / 1 Qty. 13648 Washers

Herramienta: Utiliza: 2
Diagrama: DG067 **Relacionado:** 13648, 13736, 13743
Modelo:
Año:

OEM# S-26321, D-25364

Barra de Torsión Torque Rod

13597 B

ID 1 7/8 **Inch** 47.63
LG C-C 22 1/16 **mm** 560.39



Herramienta: Utiliza: 2
Diagrama: **Relacionado:** 13598, 13592, 13582, 13521, 13527, 13627, 13672, 13598, 14010
Modelo:
Año:

OEM# 58757-005

Buje para Barra de Torsión Torque Rod Bushing

13598 A2

OD 1 7/8 **Inch** 47.63
HO 21/32 **mm** 16.67
LG C-C 4 13/32 **mm** 111.92



Herramienta: Utiliza: 4
Diagrama: **Relacionado:** 13597, 13582, 13582, 13521, 13627, 13672, 13597, 14010
Modelo: E4 340-400 / HFS 360-460 / HAS 360-460 / HA 180-460 Series
Año:

OEM# 47691, 588118C92

Kit Buje Tri-Funcional Tri-Functional Bushing Kit

13600 B

Componentes

1 Pz. 13565 Buje Tri-Funcional / 1 Qty. 13565 Tri-Functional Bushing
 1 Pz. 13542 Arandelas para Buje Tri-Funcional / 1 Qty. 13542 Tri-Functional Washers Bushing



Herramienta: Utiliza: 2
Diagrama: **Relacionado:** 13542, 13565, 13565
Modelo: Intraax / Vantraax / HT / HLM
Año:

OEM# S-24691

Soporte para Suspensión Suspension Mount

13601 A3

LG 10 25/32 **Inch** 273.84
WD 8 **mm** 203.20
H 5 19/32 **mm** 142.08
HO 15/32 **mm** 11.91
LG C-C 6 7/8 **mm** 174.63



Herramienta: Utiliza: 4
Diagrama: DG045, DG046, DG047 **Relacionado:** 13611, 13625, 13625
Modelo: HN Serie 402 / 460 / 462 / 522 / Series HN-402 / 460 / 462 / 522 / Series HN-402 / 462 / Series HN 460
Año: 2006

OEM# 49377-000, 60879000L, 49377

Kit Arandela de Alineación Céntrica y Excéntrica Eccentric Washer - Bolt Kit

13604 A1

LG 9 7/8 **Inch** 250.83
BOLT 7/8-9 UNC

Componentes

1 Pz. MP00438 Tornillo de Alineado R-pido / 1 Qty. MP00438 Quick Alignment Bolt
 1 Pz. MP01265 Arandela Céntrica / 1 Qty. MP01265 Central Washer
 1 Pz. MP01264 Arandela Excéntrica / 1 Qty. MP01264 Eccentric Washer
 2 Pzs. Arandelas / 2 Qty. Washer
 1 Pz. Tuerca / 1 Qty. Nut



Herramienta: 13571 / 13581 Utiliza: 2
Diagrama: DG048 **Relacionado:** 13510, 13541, 13541, 13565, 13600
Modelo: Series HT 300
Año:

OEM# 60632-006

Kit Buje Lateral Beam End Bushing Kit

13607



	Inch	mm
OD	4 3/8	111.13
HO	1 1/16	26.99
LG C-C	8 1/2	215.90
BOLT	1-8 UNC	



Componentes

1 Pz. 13607 PP Buje / 1 Qty. 13607 PP Bushing
2 Pzs. HT00029 Tornillo / 2 Qty. HT00029 Bolt
2 Pzs. HT00030 Tuercas / 2 Qty. HT00030 Nut
4 Pzs. HT00006-1 Arandelas / 4 Qty. HT00006-1 Washer
2 Pzs. HT00039 Arandelas / 2 Qty. HT00039 Washer

Herramienta: Utiliza: 4
Diagrama: DG045, Relacionado: 13531, DG046, DG047, DG049, 13534, 13534, 13558, DG054
Modelo: Año:

OEM# 34013-087

Adaptador para Buje Lateral Beam End Adapter

13609



	Inch	mm
OD	3 1/2	88.90
LG	10 1/2	266.70
BOLT	1-14 UNF	



Componentes

1 Pz. HT0008 Tornillo / 1 Qty. HT0008 Bolt
1 Pz. HT00014-1 Tuerca / 1 Qty. HT00014-1 Nut
2 Pzs. HT0006-1 Arandelas / 2 Qty. HT0006-1 Washer

Herramienta: Utiliza: 4
Diagrama: Relacionado: 13502, DG045, 13507, 13507
Modelo: 380/440
Año:

OEM# AK38200, 21140-034

Adaptador para Buje Lateral Beam End Adapter

13610



	Inch	mm
OD	3 1/2	88.90
LG	9 3/16	233.36
BOLT	1-14 UNF	



Componentes

1 Pz. Buje Adaptador / 1 Qty. Adapter Bushing
2 Pzs. Adaptador Lateral / 2 Qty. Side Adapter
1 Pz. HT0008 Tornillo / 1 Qty. HT0008 Bolt
1 Pz. HT00014-1 Tuerca / 1 Qty. HT00014-1 Nut
2 Pzs. HT0006-1 Arandelas / 2 Qty. HT0006-1 Washer

Herramienta: Utiliza: 4
Diagrama: Relacionado: 13502, DG045, 13507, 13507
Modelo: 480/520
Año:

OEM# 21140-033

Soporte Auxiliar para Suspensión Auxiliary Load Spring

13611



	Inch	mm
LG	4 11/16	119.06
WD	5 3/32	129.38
H	3 11/32	84.93



Herramienta: Utiliza: 2
Diagrama: DG043, Relacionado: 13601, DG045, 13625, 13625, 13807
Modelo: Series Haulmaax / Series HN-402/460/462/522
Año:

OEM# 58947-000, 60314000, 64179004

Buje para Barra de Torsión Torque Rod Bushing

13618



	Inch	mm
OD	2 7/16	61.91
HO	5/8	15.88
LG C-C	4 3/8	111.13



Herramienta: Utiliza: 4
Diagrama: Relacionado: 13518, DG045, 13520, 13520
Modelo: Año:

OEM# 57256

Soporte Auxiliar para Suspensión Auxiliary Load Spring

13625



	Inch	mm
LG	4 3/4	120.65
WD	2 1/16	52.39
H	2	50.80
HO	11/32	8.73
LG C-C	4 1/8	104.78



Herramienta: Utiliza: 2
Diagrama: DG046, Relacionado: 13601, DG047, 13611, 13611
Modelo: HN-460
Año:

OEM# R309416, 49395-000

Kit Soporte para Suspensión Bolster Spring Kit

13626



	Inch	mm
THR	1/2-20 UNF	
THD	5/8-11 UNF	
BOLT	1/2-20 UNF	



Componentes

2 Pzs. 13822 Soporte para Suspensión / 2 Qty. 13822 Bolster Spring
1 Pz. HT00003-4 Tornillo / 1 Qty. HT00003-4 Bolt
1 Pz. HT00080-3 Tuerca / 1 Qty. HT00080-3 Nut
8 Pzs. HT00080-10 Tuerca tipo Gripco / 8 Qty. HT00080-10 Nylon Insert Nut

Herramienta: Utiliza: 4
Diagrama: DG043, Relacionado: 13601, 13611, 13611
Modelo: Haulmaax
Año:

OEM# 64179-037, 65743-000

Buje para Viga Beam Bushing

13627



	Inch	mm
OD	2 1/2	63.50
HO	7/8	22.23
LG C-C	5 17/32	140.49



Herramienta: Utiliza: 2
Diagrama: DG068, Relacionado: 18821, DG103, DG104, DG138, 13652, 13652
Modelo: Primaax 230/460/690
Año:

OEM# 60383-000, 65831-000

Kit Buje Tri-Funcional Alineado Rápido 13628

Quick Align Tri-Functional Bushing Kit A1

BOLT	Inch	mm
	7/8-9 UNC	

Componentes

- 1 Pz. 13565 Buje Tri-Funcional / 1 Qty. 13565 Tri-Functional Bushing
- 1 Pz. 13542 Arandelas para Buje Tri-Funcional / 1 Qty. 13542 Tri-Functional Washers Bushing
- 1 Pz. 13604 Kit Arandela de Alineación Céntrica y Excéntrica / 1 Qty. 13604 Eccentric Washer - Bolt Kit



OEM# S-24691, S-21166

Herramienta: 13581 **Utiliza:** 2
Diagrama: DG048 **Relacionado:** 13510, 13541, 13541, 13565.
Modelo: Quick Align / Intraax / Vantraax / HT Series / HLM Series
Año:

Barra de Torsión 13629

Torque Rod A4

	Inch	mm
ID	2 3/4	69.85
LG C-C	22	558.80



OEM# 58757-006

Herramienta: **Utiliza:** 2
Diagrama: DG042, **Relacionado:** 13520, DG103, DG104 13518, 13518
Modelo:
Año:

Cojinete de Carga Central 13649

Center Load Cushion B

	Inch	mm
ID	1	25.40
OD	7	177.80
LG	4	101.60



OEM# 24209-000

Herramienta: **Utiliza:** 2
Diagrama: DG049 **Relacionado:** 13592, 13650, 13650
Modelo: Serie RS 400/ 403/ 460/ 463
Año:

Cojinete de Carga Central 13650

Center Load Cushion B

	Inch	mm
ID	3 5/32	80.17
LG	11 15/16	303.21
WD	6 25/32	172.24
H	4	101.60



OEM# 48973-000L, 26953-000L

Herramienta: **Utiliza:** 4
Diagrama: DG049 **Relacionado:** 13592, 13649, 13649
Modelo: Serie RS400/ 403/ 460/ 463
Año:

Buje para Barra de Torsión 13652

Torque Rod Bushing B

	Inch	mm
OD	2 17/32	64.29
HO	15/16	23.81
LG C-C	6 1/4	158.75



OEM# 65381-000

Herramienta: **Utiliza:** 4
Diagrama: DG068, **Relacionado:** 13627, DG103, DG104, DG138 18821, 18821
Modelo: Primaax EX 262/ 522/ 782/ Firemaxx EX 272/ 342/ Primaax 290/ 460/ 690/ Firemaxx 240/ 480/ Series E4-360/ 400/ Series HA-360/ 400/ 460/ Series HAS 369/ 400/ 402/ 460/ Haulmaxx/ Series HFS-360/ 400/ Series HN-402/ 460/

Tornillo y Tuerca para Buje 13666

Bushing Bolt & Nut A4

	Inch	mm
LG	10	254.00
BOLT	1 1/2-6 UNC	



OEM#

Herramienta: **Utiliza:** 2
Diagrama: **Relacionado:** 13542, 13667, 13667
Modelo:
Año:

- Componentes**
- 1 Pz. Tornillo / 1 Qty. Bolt
 - 1 Pz. Tuerca / 1 Qty. Nut

Buje Tri-Funcional 13667

Tri-Functional Bushing A3

	Inch	mm
ID	1 1/2	38.10
OD	6	152.40
LG	6 3/4	171.45



OEM# C-3558, E3772, 334-658, 09-6200

Herramienta: **Utiliza:** 2
Diagrama: **Relacionado:** 13510, 13541, 13541, 13565, 13600, 13604
Modelo:
Año:

Kit Buje Tri-Funcional 13668

Tri-Functional Bushing Kit A3

BOLT	Inch	mm
	1 1/2-6 UNC	

Componentes

- 1 Pz. 13667 Buje Tri-Funcional / 1 Qty. 13667 Tri-Functional Bushing
- 1 Pz. 13666 Tornillo y Tuerca para Buje / 1 Qty. 13666 Bushing Bolt and Nut
- 1 Pz. 13542 Arandelas para Buje Tri-Funcional / 1 Qty. 13542 Tri-Functional Washers Bushing



OEM# S6914, A-6914

Herramienta: **Utiliza:** 2
Diagrama: DG048 **Relacionado:** 13510, 13541, 13541, 13565, 13600, 13604
Modelo:
Año:

Kit Buje Tri-Funcional Tri-Functional Bushing Kit

13671



B

Componentes

1 Pz. 13736 Buje Tri-Funcional / 1 Qty. 13736 Tri-Functional Bushing

1 Pz. 13648 Arandelas para Buje Tri-Funcional / 1 Qty. 13648 Tri-Functional Washers Bushing



Herramienta: Utiliza: 2
Diagrama: Relacionado: 13648, 13736, 13736
Modelo:
Año:

OEM# S-26321

Buje para Barra de Torsión Torque Rod Bushing

13672



A3

	Inch	mm
OD	2	50.80
HO	3/4	19.05
LG C-C	4 13/32	111.92



Herramienta: 11071 Utiliza: 4
Diagrama: DG068, Relacionado: 13582, DG138 13524, 13524, 13627, Modelo: Primaax 230/460/ 690/ Firemax 240/480/ 13597, 13598, 14010 Primaax EX 262/522/782/ Año: Firemax EX 272/542

OEM# 69210-000H

Kit Arandela de Alineación Céntrica y Excéntrica Eccentric Washer - Bolt Kit

13673



A5

LG	7	Inch	mm
BOLT	7/8-9 UNC		177.80

Componentes

1 Pz. MP00439 Tornillo con Torque / 1 Qty. MP00439 Bolt Torque Quick Alignment
1 Pz. MP01265 Arandela Centrca / 1 Qty. MP01265 Centric Washer
1 Pz. MP01264 Arandela Excéntrica / 1 Qty. MP01264 Eccentric Washer
2 Pzs. Arandelas planas / 2 Qty. Flat Washer
1 Pz. Tuerca Tipo Gripco / 1 Qty. Nylon Insert Nut



Herramienta: Utiliza: 2
Diagrama: DG068, Relacionado: 13594 DG103, DG104, DG138
Modelo:
Año:

OEM# H-60632-019, 60683-001, 60632-006

Barra de Torsión Ajustable Torque Rod Assembly

13681



B

	Inch	mm
ID	2 3/4	69.85
OD	3 1/2	88.90
LG	8 9/16	217.49



Herramienta: Utiliza: 2
Diagrama: Relacionado: 83520
Modelo:
Año:

OEM# 64473-000, 12-34

Barra de Torsión Ajustable Torque Rod Assembly

13682



B

	Inch	mm
ID	2 3/4	69.85
OD	3 1/2	88.90
LG	25 7/16	646.11



Herramienta: Utiliza: 2
Diagrama: Relacionado: 83520
Modelo:
Año:

OEM# 64474-000

Kit Barra de Torsión Torque Rod Kit

13683



B

Componentes

1 Pz. 13681 Barra de Torsión / 1 Qty. 13681 Torque Rod
1 Pz. 13520 Buje para Barra de Torsión / 1 Qty. Torque Rod Bushing



Herramienta: Utiliza: 2
Diagrama: Relacionado: 13681, 13520
Modelo:
Año:

OEM# 66610-000H

Kit Barra de Torsión Torque Rod Kit

13691



B

Componentes

1 Pz. 13682 Barra de Torsión / 1 Qty. 13682 Torque Rod

1 Pz. 13520 Buje para Barra de Torsión / 1 Qty. 13520 Torque Rod Bushing



Herramienta: Utiliza: 2
Diagrama: Relacionado: 13682, 13520
Modelo:
Año:

OEM# 66661-000H

Kit Barra de Torsión Torque Rod Kit

13695



B

Componentes

1 Pz. 13682 Barra de Torsión / 1 Qty. 13682 Torque Rod

1 Pz. 13518 Buje para Barra de Torsión / 1 Qty. 13518 Torque Rod Bushing



Herramienta: Utiliza: 2
Diagrama: Relacionado: 13682, 13518
Modelo:
Año:

OEM# 66681-000H

Kit Soporte para Suspensión Suspension Mount Kit

13721

✓ A6

THR	Inch	mm
BOLT	7/16-20 UNF	7/16-20 UNF



Componentes
2 Pzs. 13601 Soporte para Suspensión / 2 Qty. 13601 Suspension Mount
16 Pzs. HT13721-1 Tornillo / 16 Qty. HT13721-1 Bolt
16 Pzs. HT13721-2 Tuerca tipo Gripco / 16 Qty. HT13721-2 Nylon Insert Nut
32 Pz. HT13721-3 Arandela / 32 Qty. HT13721-3 Washer

Herramienta: Utiliza: 2
Diagrama: DG045, Relacionado: 13601, DG046, DG047 13611, 13611, 13626, Modelo: HN 13722
Año: 2006

OEM# 60879-000, 49377000, H-60879

Kit Soporte para Suspensión Bolster Spring Kit

13722

✓ A5

THR	Inch	mm
BOLT	7/16-20 UNF	7/16-20 UNF

Componentes



2 Pzs. 13601 Soporte para Suspensión / 2 Qty. 13601 Suspension Mount
1 Pz. 13611 Tope Auxiliar / 1 Qty. 13611 Auxiliary Stop
16 Pzs. HT13721-1 Tornillo / 16 Qty. HT13721-1 Bolt
16 Pzs. HT13721-2 Tuerca tipo Gripco / 16 Qty. HT13721-2 Nylon Insert Nut
32 Pz. HT13721-3 Arandela / 32 Qty. HT13721-3 Washer

Herramienta: Utiliza: 2
Diagrama: DG045 Relacionado: 13601, Modelo: HN 13611, 13611, 13626, Año: 2006 , 13721

OEM# 60879-000L, 64179-004

Buje Tri-Funcional Tri-Functional Bushing

13736

✓ A5

ID	Inch	mm
OD	1 1/4	31.75
LG	6	152.40
	3 5/8	92.08



Herramienta: Utiliza: 2
Diagrama: DG067 Relacionado: 13594, Modelo: 13648, 13648, 13673 , 13743
Año:

OEM# D-25364, C3511-70, TRB5914UB

Kit Buje Tri-Funcional Tri-Functional Bushing Kit

13743

* B

BOLT	Inch	mm
	7/8-9 UNC	

Componentes



2 Pzs. 13736 Buje / 2 Qty. 13736 Bushing
2 Pzs. 13648 Arandelas de Goma / 2 Qty. 13648 Rubber Washers
2 Pzs. MP00439 Tornillo con Torque / 2 Qty. MP00439 Screw Torque Quick Alignment
4 Pzs. Arandela / 4 Qty. Washer
2 Pzs. Tuerca tipo Gripco / 2 Qty. Nylon Insert Nut

Herramienta: Utiliza: 2
Diagrama: Relacionado: 13736, Modelo: Intraax 23K 13648, 13648, 13671, Año: 13673

OEM# S-26321, A-1225-N-1522

Kit Buje Tri-Funcional Tri-Functional Bushing Kit

13744

✓ A3

BOLT	Inch	mm
	7/8-9 UNC	

Componentes



1 Pz. 13565 Buje Tri-Funcional / 1 Qty. 13565 Tri-Functional Bushing Kit
1 Pz. 13542 Arandelas / 1 Qty. 13542 Washer
1 Pz. MP00438 Tornillo / 1 Qty. MP00438 Bolt
2 Pzs. Arandela / 2 Qty. Washer
1 Pz. Tuerca Gripco / 1 Qty. Nylon Insert Nut

Herramienta: 13581 Utiliza: 4
Diagrama: Relacionado: 13510, Modelo: HT300 13541, 13541, 13565
Año:

OEM# S-24691, S-21166

Buje Lateral Giratorio Rotating Bar Pin End Bushing

13745

N A2

OD	Inch	mm
HO	4 3/8	111.13
LG C-C	1 1/32	26.19
	8 17/32	216.69

Componentes



1 Pz. 13748 Buje Lateral / 1 Qty. 13748 Beam End Bushing
2 Pzs. Tornillo / 2 Qty. Bolt
2 Pzs. Tuerca / 2 Qty. Nut
4 Pzs. Arandela / 4 Qty. Washer

Herramienta: Utiliza: 4
Diagrama: Relacionado:
Modelo: AR2, R, RS, RT, RTE, HN y HAULMAAX
Año:

OEM# 34013-188L, 6969

Buje Lateral Giratorio Rotating Bar Pin End Bushing

13748

✓ A6

OD	Inch	mm
HO	4 3/8	111.13
LG C-C	1 1/32	26.19
	8 1/2	215.90

THR 3/4-10 UNC
BOLT 3/4-10 UNC

Componentes



1 Pz. Buje para Barra de Torsión / 1 Qty. Torque Rod Bushing
1 Pz. Seguro Truack / 1 Qty. Truack Seeger
1 Pz. Opresor Aillen / 1 Qty. Allen Opresor

Herramienta: Utiliza: 2
Diagrama: Relacionado: 13534, Modelo: AR2, R, RS, RT / 13548, 13548, 13607 RTE, HN y HAULMAAX
Año:

OEM# 34013 - 188L, 6969, 34013-087L

Kit Bujes para Suspensión Suspension Bushing Kit

13750

✓ A6

BOLT	Inch	mm
	1-8 UNC	

Componentes



4 Pzs. 13748 Buje Lateral / 4 Qty. 13748 Beam End Bushing
2 Pzs. 13534 Buje Central de Bronce / 2 Qty. 13534 Bronze Center Bushing
8 Pzs. HT00029 Tornillo / 8 Qty. HT00029 Bolt
8 Pzs. HT00030 Tuerca tipo Gripco / 8 Qty. HT00030 Nylon Insert Nut
16 Pzs. HT00006-1 Arandela / 16 Qty. HT00006-1 Washer

Herramienta: Utiliza: 1
Diagrama: Relacionado: 13748, Modelo: 13534, 13534
Año:

OEM#

Buje para Barra de Torsión Torque Rod Bushing

13791



	Inch	mm
ID	7/8	22.23
OD	1 31/32	50.01
LG	3	76.20
OD<	1 13/16	46.04



Herramienta: Utiliza: 4
Diagrama: Relacionado: 13516, 13514, 13514
Modelo:
Año:

OEM# 47692-000L

Buje Lateral Beam End Bushing

13798



	Inch	mm
ID	2 1/2	63.50
OD	4 3/8	111.13
LG	5 3/4	146.05



Herramienta: 13588 / 18541 / 18542
Diagrama: DG120
Modelo: AR 340/380 / AR2 400 / 460 / 520 / R400 / 430 / 460 / 463 / RT / RTE / RT2 / RTE2 340
Utiliza: 4
Relacionado: 13505, 13507, 13507, 13553, 13543, 13560, 13566, 13568, 13574, 13587
Año:

OEM# 45900-000L, 124892R1, R301341A, 1117564B001, 452836

Buje para Barra de Torsión Torque Rod Bushing

13799



	Inch	mm
OD	1 31/32	50.01
HO	11/16	17.46
LG C-C	4 3/8	111.13



Herramienta: Utiliza: 4
Diagrama: Relacionado: 13521, 11004, 11004
Modelo: Primaax
Año:

OEM# 47691-000L, R305275

Soporte Auxiliar para Suspensión Auxiliary Load Spring

13807



	Inch	mm
LG	5 1/16	128.59
WD	5 1/2	139.70
H	3 3/8	85.73



Herramienta: Utiliza: 2
Diagrama: DG043, DG045
Modelo: Series Haulmaax / Series HN-402 / 460 / 462 / 522
Relacionado: 13601, 13625, 13625, 13611
Año:

OEM# 60314000, 64179004

Kit Bujes para Suspensión Suspension Bushing Kit

13810



	Inch	mm
BOLT	1-8 UNC	

Componentes

2 Pzs. 13505 Buje Central / 2 Qty. 13505 Center Bushing
4 Pzs. 13745 Kit Buje Lateral / 4 Qty. 13745 Beam End Bushing Kit



Herramienta: Utiliza: 1
Diagrama: Relacionado: 13505, 13745, 13745
Modelo: RT / RTE 52000 Lbs. / AR2 / R / RS
Año:

OEM# 05919-000L, 34013-188L

Soporte Auxiliar Progresivo para Suspensión Progressive Load Spring

13812



	Inch	mm
LG	4 7/8	123.83
WD	5	127.00
H	4 3/16	106.36



Herramienta: Utiliza: 2
Diagrama: Relacionado:
Modelo: Haulmaax / Series HN-402 / 460 / 462 / 522V
Año:

OEM# 67778-000, 67778/C

Kit Soporte Auxiliar para Suspensión Progressive Load Spring Kit

13814



	Inch	mm
BOLT	1/2-13 UNC	

Componentes

2 Pzs. 13812 Soporte Auxiliar para Suspensión / 2 Qty. 13812 Progressive Load Spring
2 Pzs. TOBR02501 Tornillo / 2 Qty. TOBR02501 Bolt
2 Pzs. TUBRO2501 Tuerca Gripco / 2 Qty. TUBRO2501 Nylon Insert Nut



Herramienta: Utiliza: 1
Diagrama: Relacionado: 13812
Modelo: Haulmaax / Series HN-402 / 460 / 462 / 522V
Año:

OEM# 60961-747

Kit Arandela de Alineación Céntrica y Excéntrica Eccentric Washer - Bolt Kit

13816



	Inch	mm
BOLT	1-14 UNF	

Componentes

1 Pz. HT00029-2 Tornillo / 1 Qty. HT00029-2 Bolt
1 Pz. MP13816-1 Arandela Excéntrica / 1 Qty. MP13816-1 Eccentric Washer
1 Pz. MP13816-2 Arandela Céntrica / 1 Qty. MP13816-2 Centric Washer
2 Pzs. PRSA0067 Arandela / 2 Qty. PRSA0067 Washer
1 Pz. HT00014-1 Tuerca / 1 Qty. HT00014-1 Nut



Herramienta: Utiliza: 4
Diagrama: Relacionado: 13817
Modelo: Primaax
Año:

OEM# 60632-006, 60632-019

Kit Buje de Pivote

Pivot Bushing Kit

13817

(N) A2

BOLT	Inch	mm
	1-14 UNF	

Componentes

2 Pzs. 18821 Buje de Pivote / 2 Qty. Pivot Bushing
 1 Pz. HT00029-2 Tornillo / 1 Qty. HT00029-2 Bolt
 1 Pz. MP13816-1 Arandela Excéntrica / 1 Qty. MP13816-1 Eccentric Washer
 1 Pz. MP13816-2 Arandela Céntrica / 1 Qty. MP13816-2 Centric Washer
 2 Pzs. PRSA0067 Arandela / 2 Qty. PRSA0067 Washer
 1 Pz. HT00014-1 Tuerca / 1 Qty. HT00014-1 Nut



Herramienta: 40132 **Utiliza:** 1
Diagrama: **Relacionado:** 18821,
 13816, 13816
Modelo: Primaxx 230/
 460/690
Año:

OEM# 60632-008, 60632-020

Buje para Barra de Torsión

Torque Rod Bushing

14010

(✓) A2

ID	Inch	mm
	7/8	22.23
OD	2	50.80
LG	3	76.20



Herramienta: 18836/
 40124 **Utiliza:** 2
Diagrama: DG068, **Relacionado:** 13582,
 13524, 13524, 13627,
 DG104 **Modelo:** Primaax 230/
 460/690/ Firemaax **Año:**
 240/480/181-101F

OEM# 47692, 47692-000,
 13945-01

Buje para Barra de Torsión

Torque Rod Bushing

14091

(N) A2

ID	Inch	mm
	7/8	22.23
OD	2	50.80
LG	3	76.20



Herramienta: **Utiliza:** 4
Diagrama: **Relacionado:** 13582,
 13524, 13524, 14010,
 13527, 13627
Modelo: Primaax EX /
 Firemaax EX
Año:

OEM# 47692-000L

Kit Bujes para Barra de Torsión

Torque Rod Bushing Kit

15075

(*) B

BOLT	Inch	mm
	1-8 UNC	

Componentes

2 Pzs. 15076 Buje para Balancín / 2 Qty. 15076 Equalizer Bushing
 1 Pz. 15075 PM Perno / 1 Qty. 15075 PM Pin
 2 Pzs. 15075 RM Arandelas / 2 Qty. 15075 RM Washer
 2 Pzs. HT00008-4 Arandela de Presión / 2 Qty. HT00008-4 Spring Washer
 2 Pzs. HT00010-8 Tornillo / 2 Qty. HT00010-8 Bolt



Herramienta: **Utiliza:** 4
Diagrama: **Relacionado:** 15076
Modelo:
Año:

OEM# TK18998, T-5524

Tornillo y Tuerca para Buje

Bushing Bolt & Nut

18434

(✓) A1

LG	Inch	mm
	9 3/4	247.65

BOLT 1 1/8-7 UNC

Componentes

1 Pz. Tornillo / 1 Qty. Bolt
 1 Pz. Tuerca tipo Gripco / 1 Qty. Naylon Insert Nut



Herramienta: 13571/
 13581 **Utiliza:** 1
Diagrama: **Relacionado:** 13510
Modelo:
Año:

OEM# S-3646


Buje de Pivote

Pivot Bushing

18821

(✓) A3

ID	Inch	mm
	1 1/4	31.75
OD	3 11/16	93.66
LG	3 5/8	92.08



Herramienta: 40132 **Utiliza:** 2
Diagrama: DG068, **Relacionado:** 13627
 DG103, DG104, DG138
Modelo: Primaax 230/
 460/690 **Año:**

OEM# 58648000,
 85109229, RB299


Barra de Torsión

Torque Rod

18859

(✓) A4

ID	Inch	mm
	2 3/4	69.85
LG C-C	22 1/8	561.98



Herramienta: **Utiliza:** 2
Diagrama: DG128 **Relacionado:** 13520
Modelo:
Año:

OEM# 3187322, TR96-10000


Buje para Barra de Torsión

Torque Rod Bushing

18909

(*) B

OD	Inch	mm
	2 3/4	69.85
HO	13/16	20.64
LG C-C	5 1/4	133.35



Herramienta: **Utiliza:** 4
Diagrama: **Relacionado:** 13545,
 13547, 13547
Modelo: RT650
Año:

OEM# 64400-003L,
 66649-003, 64664-000L

Kit Buje Lateral Beam End Bushing Kit

83596



	Inch	mm
OD	4 3/8	111.13
LG	5 9/16	141.29
HO	1 1/16	26.99
LG C-C	8 1/2	215.90
BOLT	1-8 UNC	

Componentes

1 Pz. 83596 (PP) Buje / 1 Qty. 83596 (PP) Bushing
 2 Pzs. Tornillo / 2 Qty. Bolt
 2 Pzs. Tuercas / 2 Qty. Nut
 4 Pzs. Arandelas / 4 Qty. Washer
 4 Pzs. 13665 Arandela de Nivelación Manual / 4 Qty. 13665
 Levening Manual Washer

Herramienta: Utiliza: 2
Diagrama: Relacionado: 13531,
 13534, 13534, 13558
Modelo: AR 340/380,
 AR2 400/460/520, RS, RT2/
 RTE2 340, HN 402/462/522,
 HAULMAAX
Año:



OEM# 34013-188L,
 34013-087L

Arandela de Alineación Céntrica Centric Washer

90030



	Inch	mm
ID	1 1/8	28.58
OD	3 13/16	96.84
LG	3/4	19.05
OD<	2 1/8	53.98



Herramienta: Utiliza: 4
Diagrama: Relacionado: 13736
Modelo: HT190 / HT230 /
 HT300 / HK190 / HK230 /
 HS190 / HS230
Año:

OEM# S2770

Arandela de Alineación Céntrica Centric Washer

90031



	Inch	mm
ID	1 1/2	38.10
OD	3 27/32	97.63
LG	3/4	19.05
OD<	2 1/8	53.98

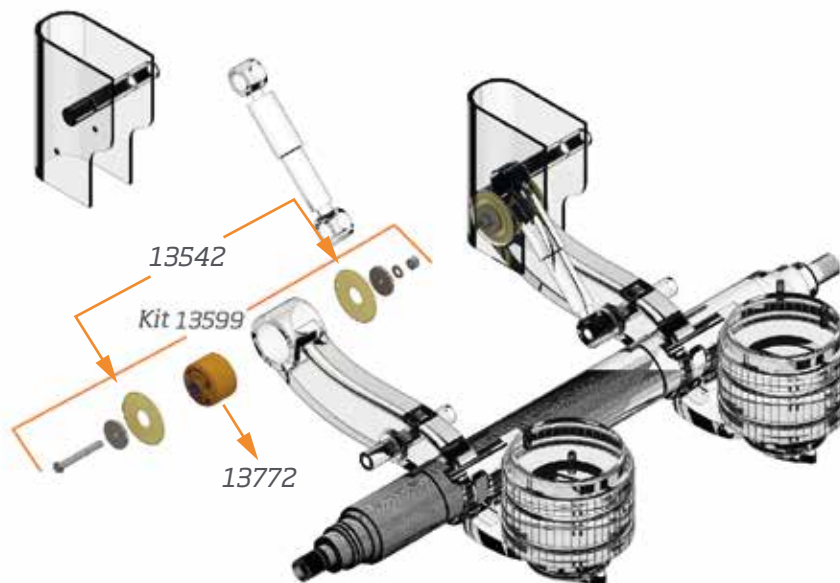


Herramienta: Utiliza: 4
Diagrama: Relacionado:
Modelo: HT190 / HT230 /
 HT300 / HK190 / HK230 /
 HS190 / HS230
Año:

OEM# S2770

Suspensión Estándar

DG002

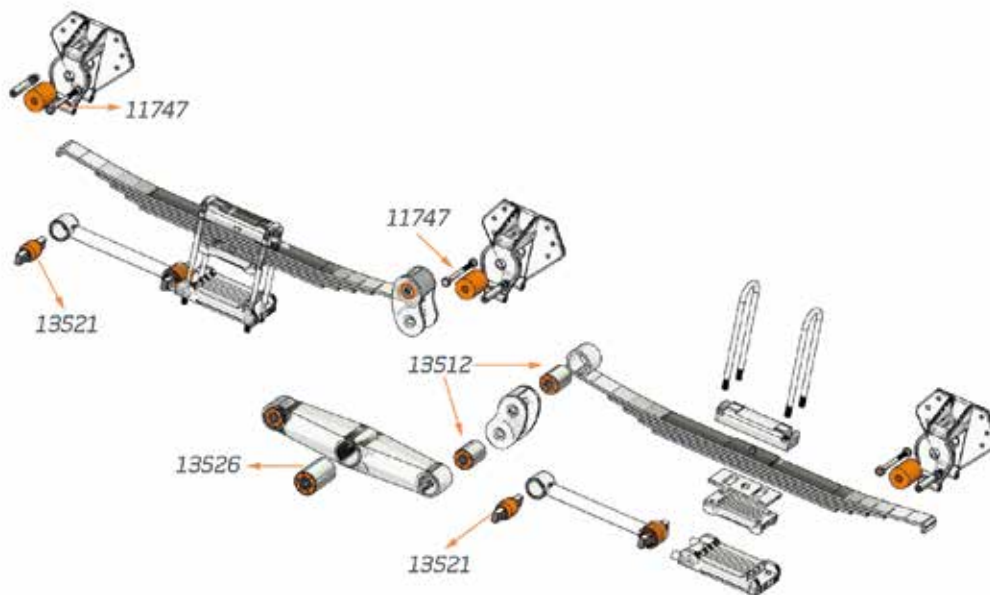


Códigos GAFF

13542, 13599, 13772

Serie E4-360 / 400

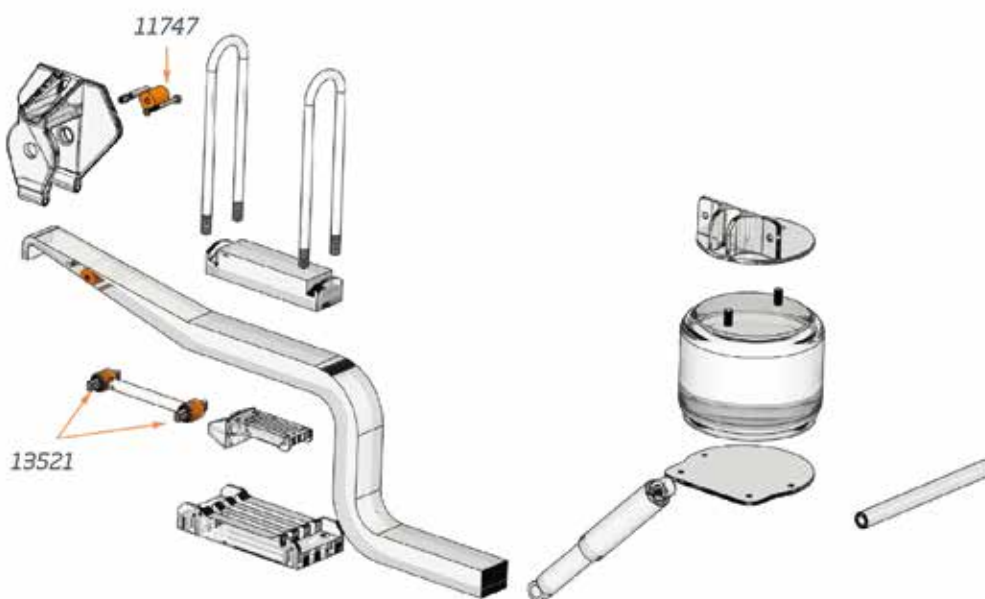
DG040



Códigos GAFF 11747, 13512, 13521, 13526

HA-360 / 400 / 460

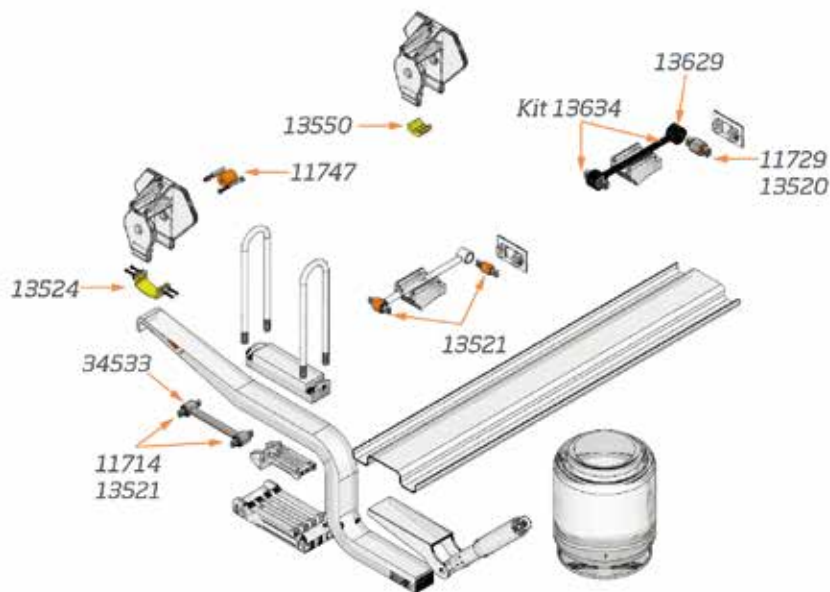
DG041



Códigos GAFF 11747, 13521

HAS 360 / 400 / 402 / 460

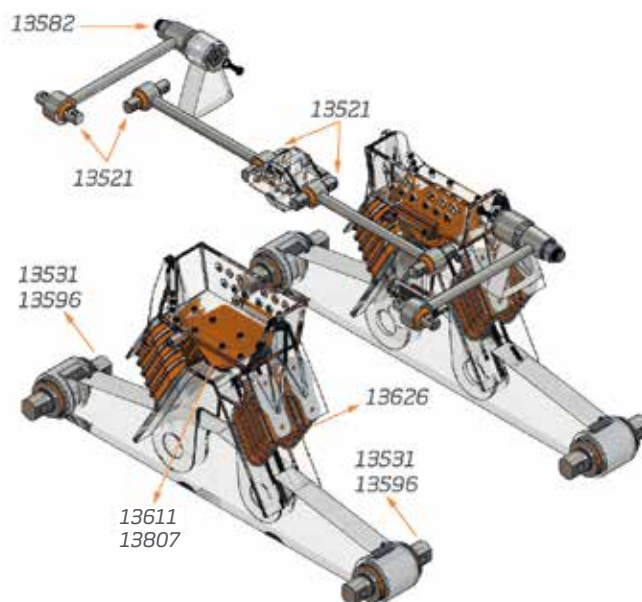
DG042



Códigos GAFF 11714, 11729, 11747, 13520, 13521, 13524, 34533, 13550, 13629, 13634

Haulmaax

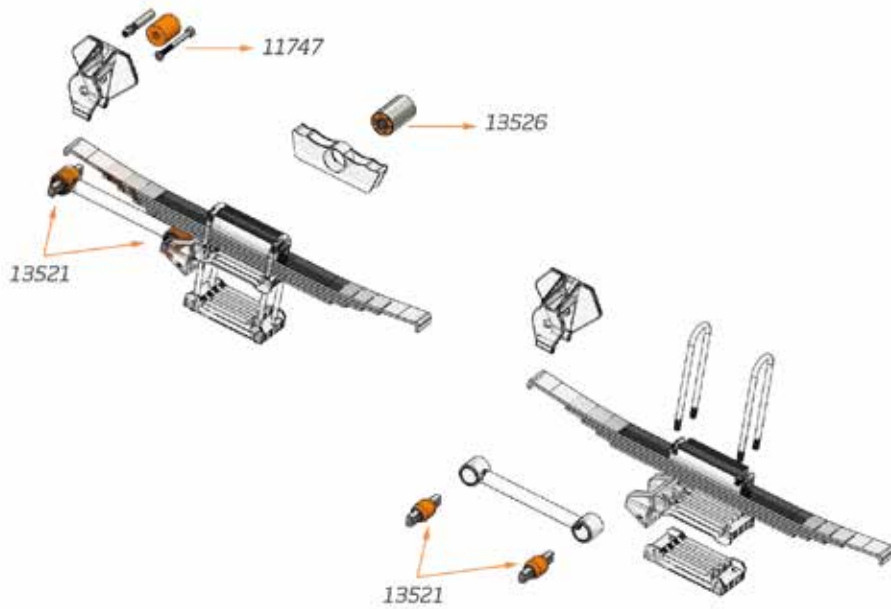
DG043



Códigos GAFF 13521, 13531, 13582, 13596, 13611, 13626, 13807

Series HFS-360 / 400

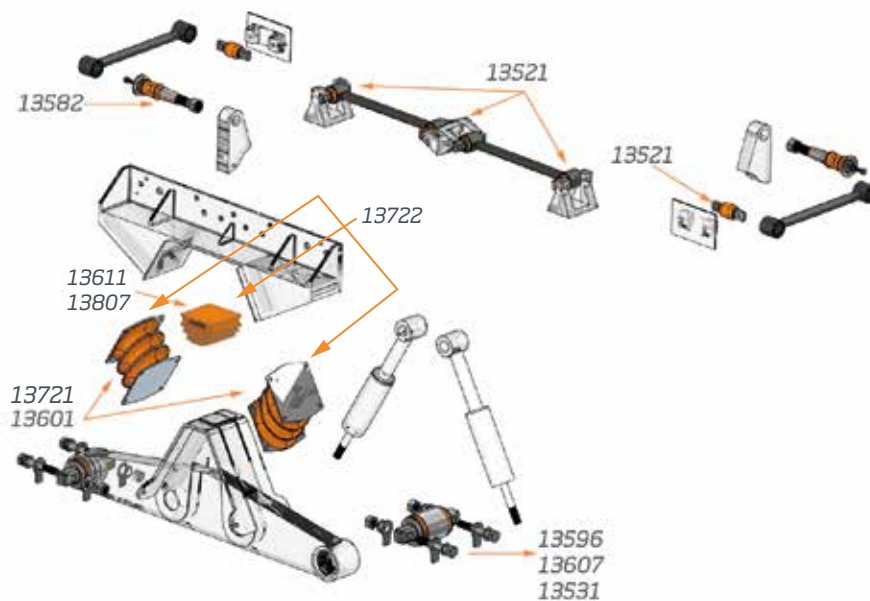
DG044



Códigos GAFF 11747, 13521, 13526

Series HN-402 / 460 / 462 / 522

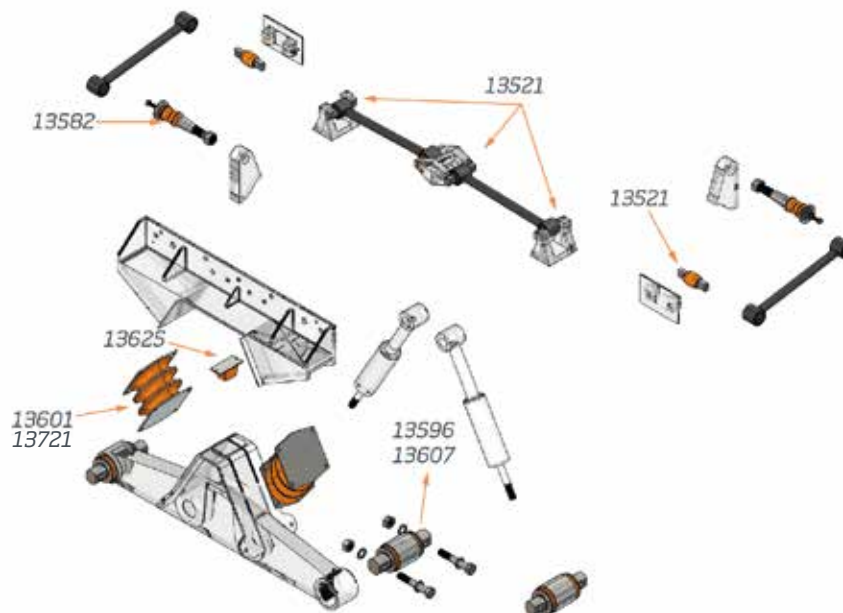
DG045



Códigos GAFF 13521, 13531, 13582, 13596, 13601, 13607, 13611, 13721, 13722, 13807

Series HN-402 / 462

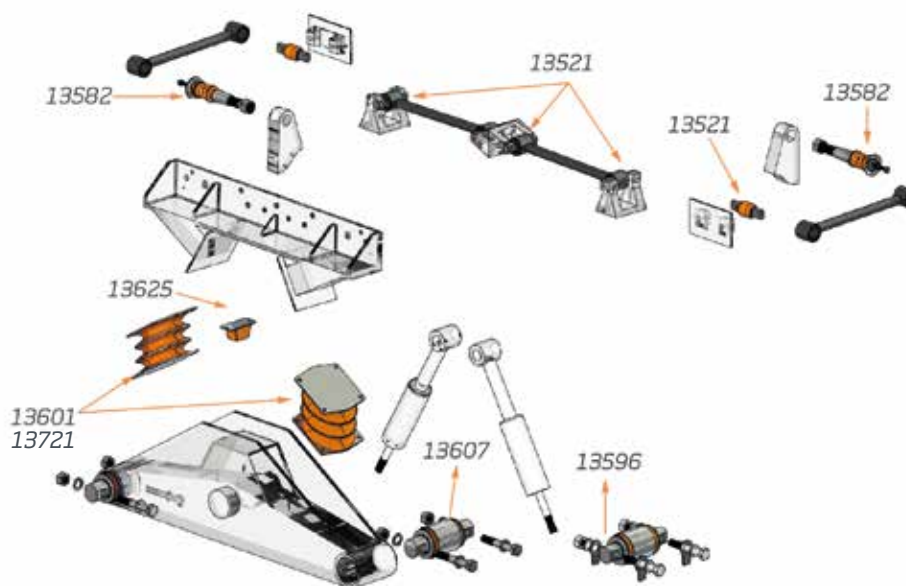
DG046



Códigos GAFF 13521, 13582, 13596, 13601, 13607, 13625, 13721

Series HN-460

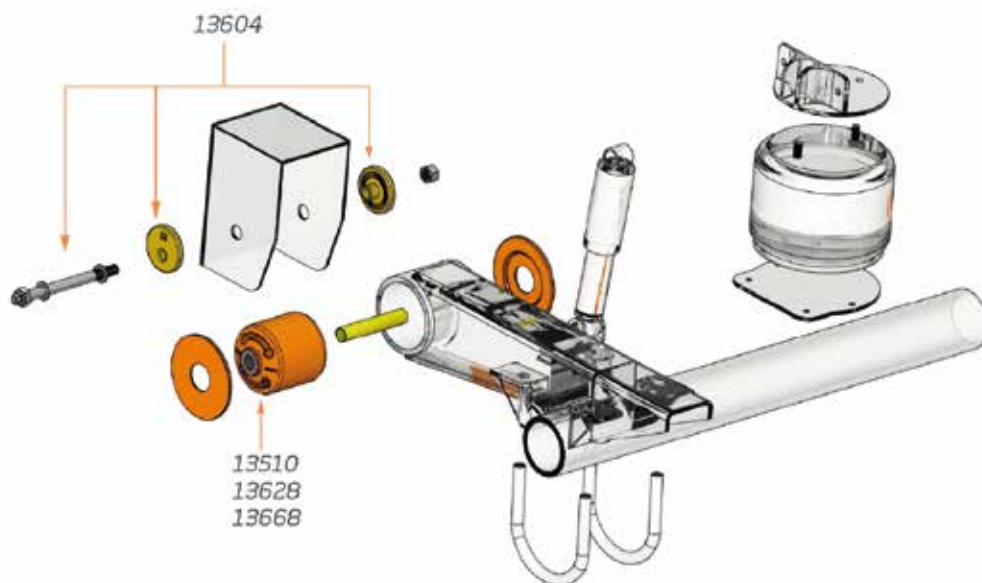
DG047



Códigos GAFF 13521, 13582, 13596, 13601, 13607, 13625, 13721

HT-300

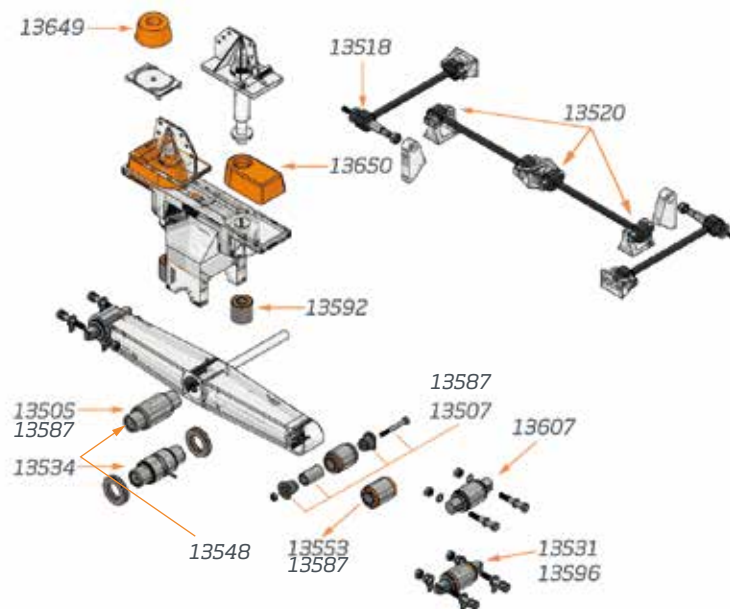
DG048



Códigos GAFF 13510, 13604, 13668, 13628

Series RS 400 / 403 / 460 / 463

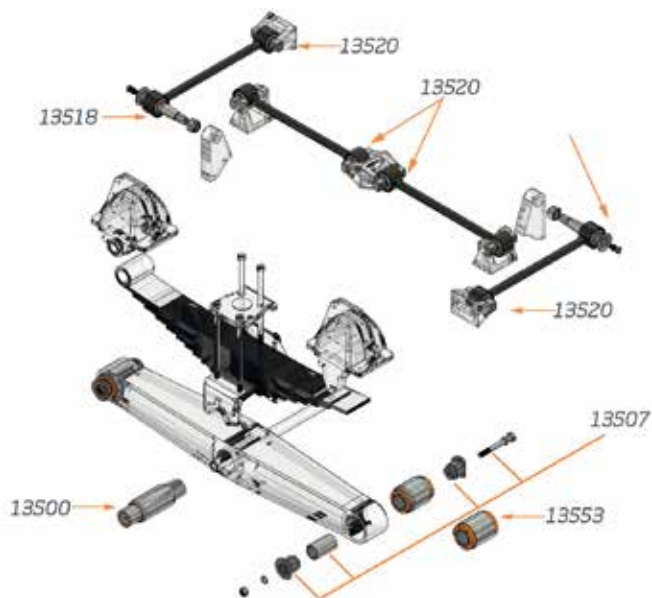
DG049



Códigos GAFF 13505, 13507, 13518, 13520, 13531, 13534, 13548, 13553, 13587, 13592, 13596, 13607, 13649, 13650

Serie RT 650

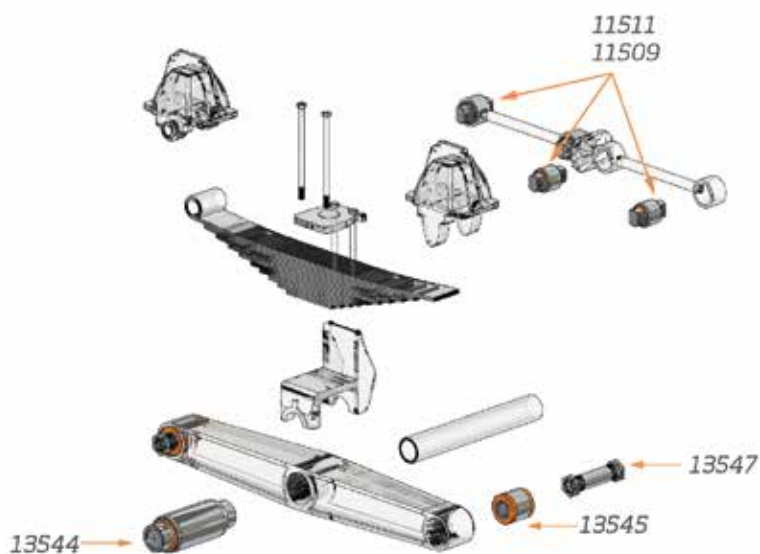
DG050



Códigos GAFF 13500, 13507, 13518, 13520, 13553

Serie RT 700

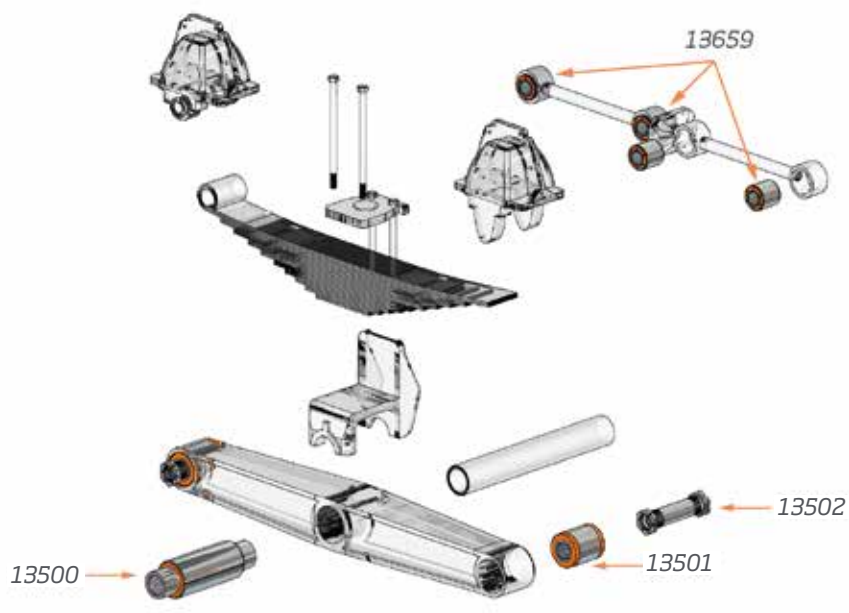
DG051



Códigos GAFF 11509, 11511, 13544, 13545, 13547

Serie RT 340

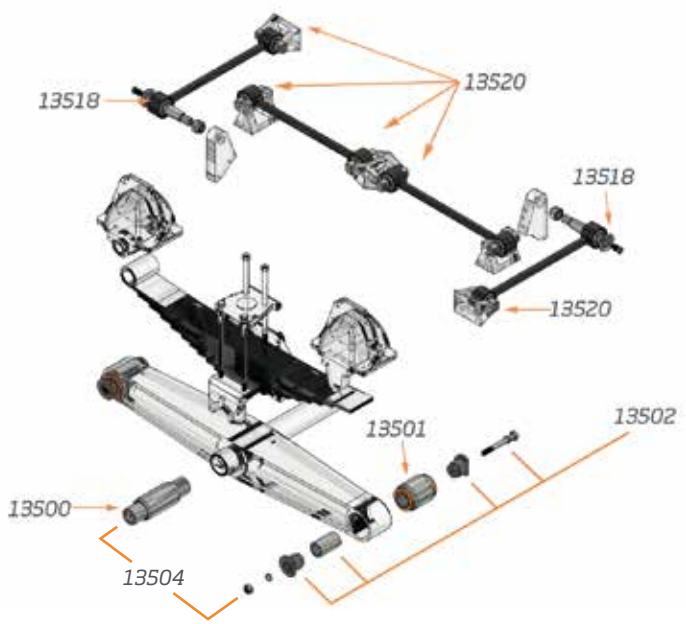
DG052



Códigos GAFF 13500, 13501, 13502, 13659

Serie RT-340

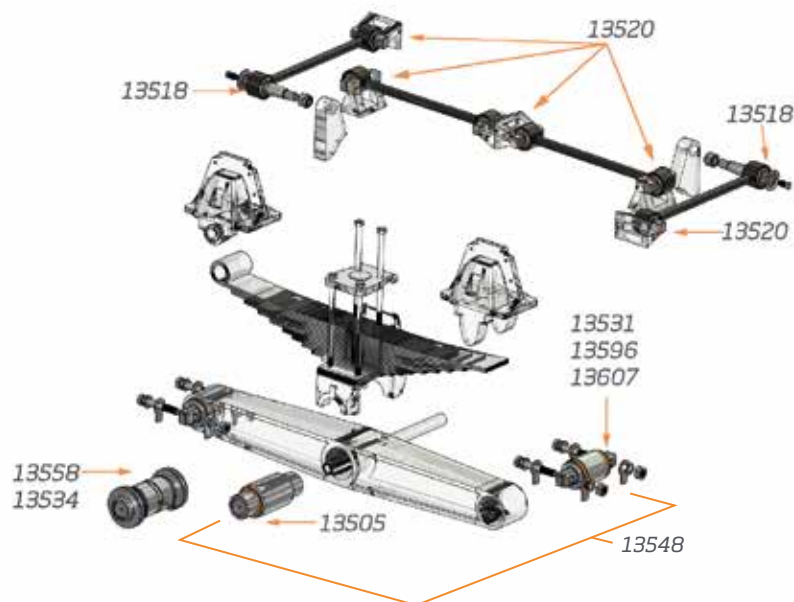
DG053



Códigos GAFF 13500, 13501, 13502, 13504, 13518, 13520

Series RT / RTE 400 / 403 / 460 / 463

DG054

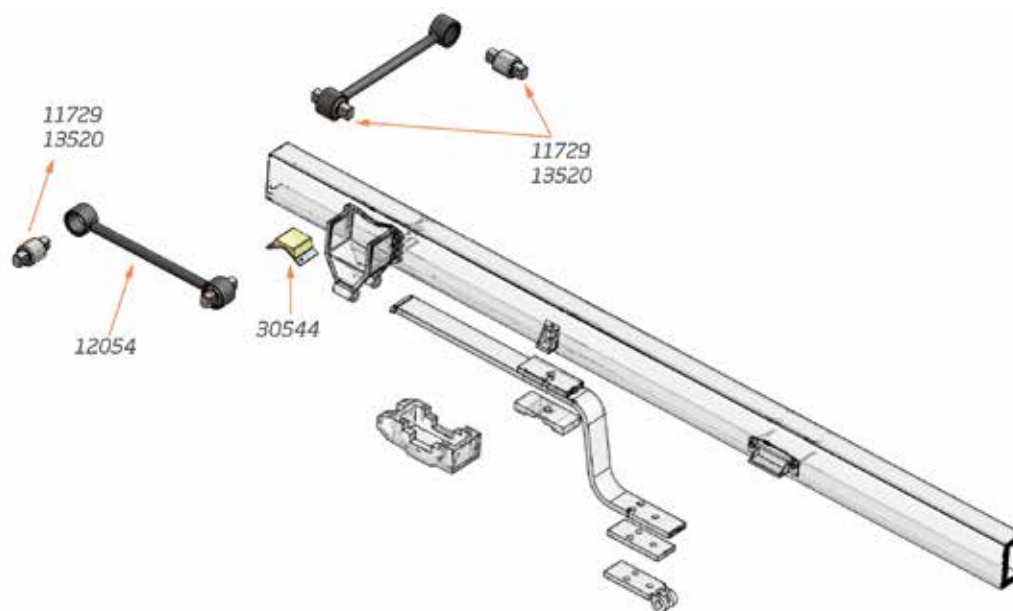


Códigos GAFF

13505, 13518, 13520, 13531, 13534, 13548, 13558, 13596, 13607

Tandem Rear Axle

DG065

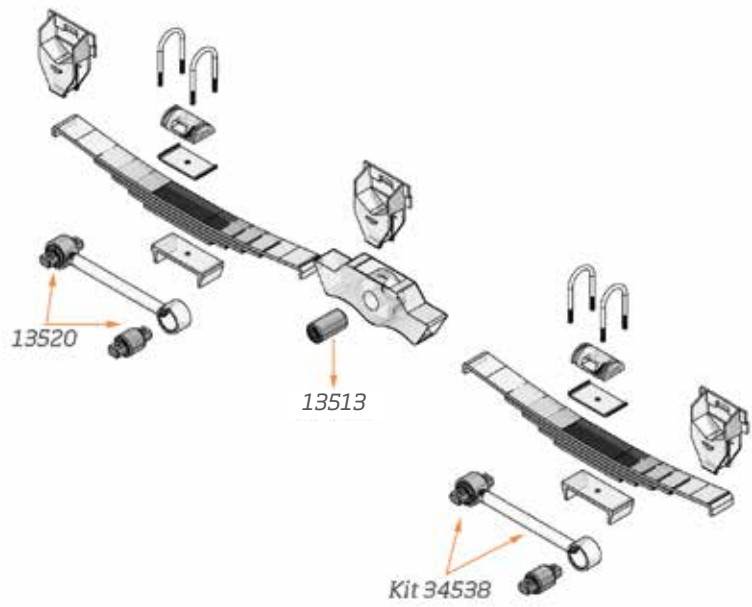


Códigos GAFF

11729, 12054, 13520, 30544

Drive Axle Truck

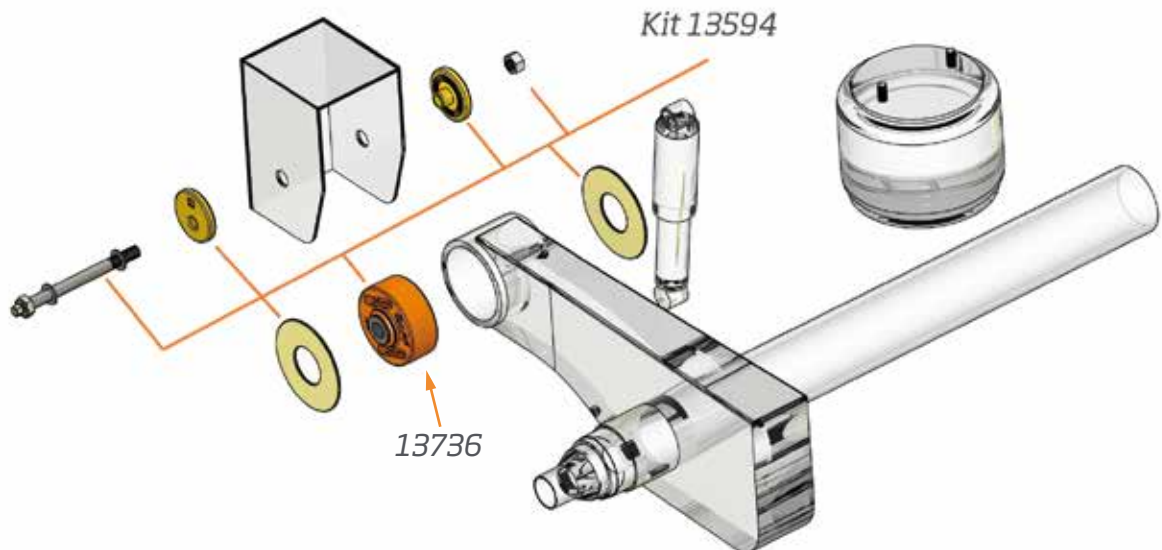
DG066



Códigos GAFF 13513, 13520

Intraax AANT 23k

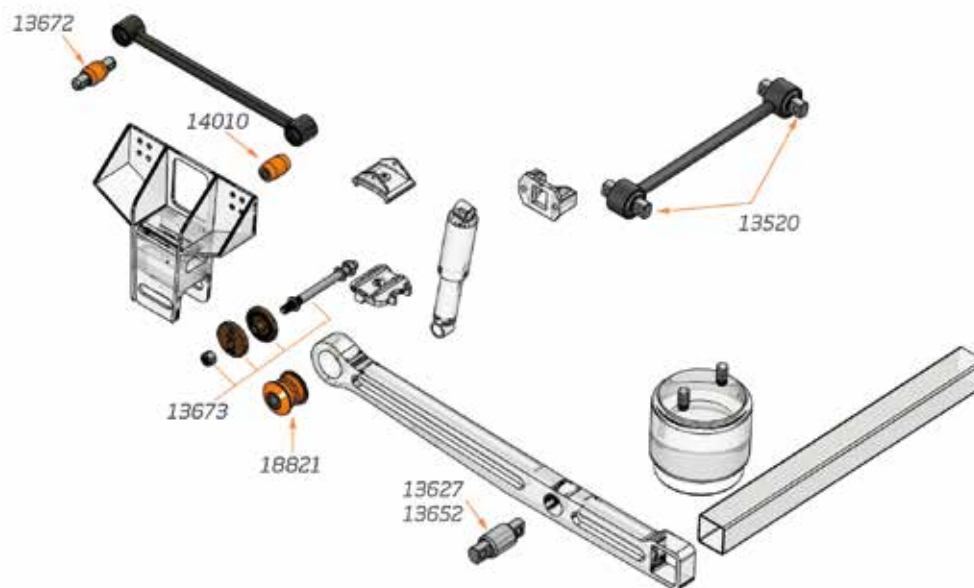
DG067



Códigos GAFF 13594, 13736

Primaax 230 / 460 / 690 8 1/2" a 10"

DG068

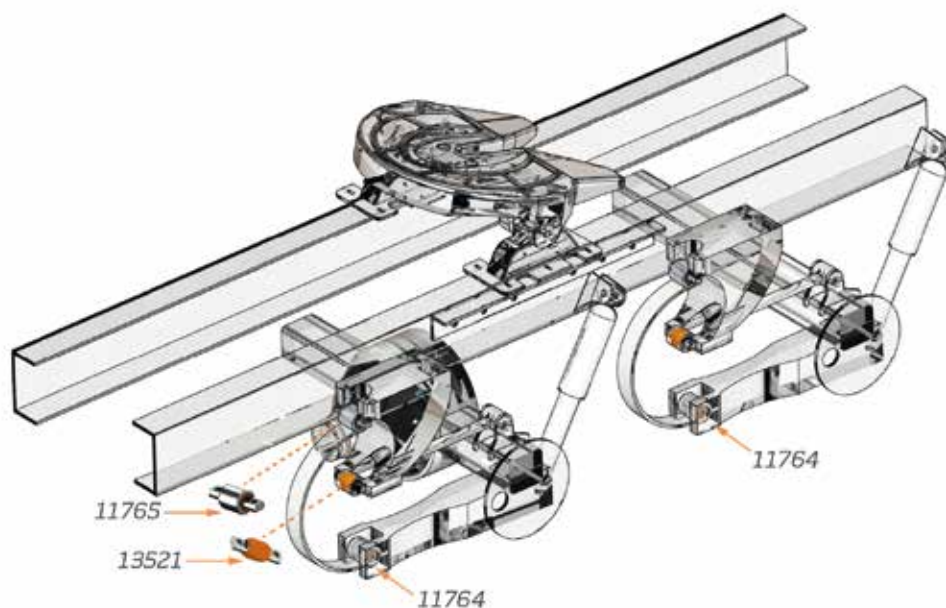


Códigos GAFF

13520, 13627, 13652, 13672, 13673, 14010, 18821

Serie Airglide 380

DG069

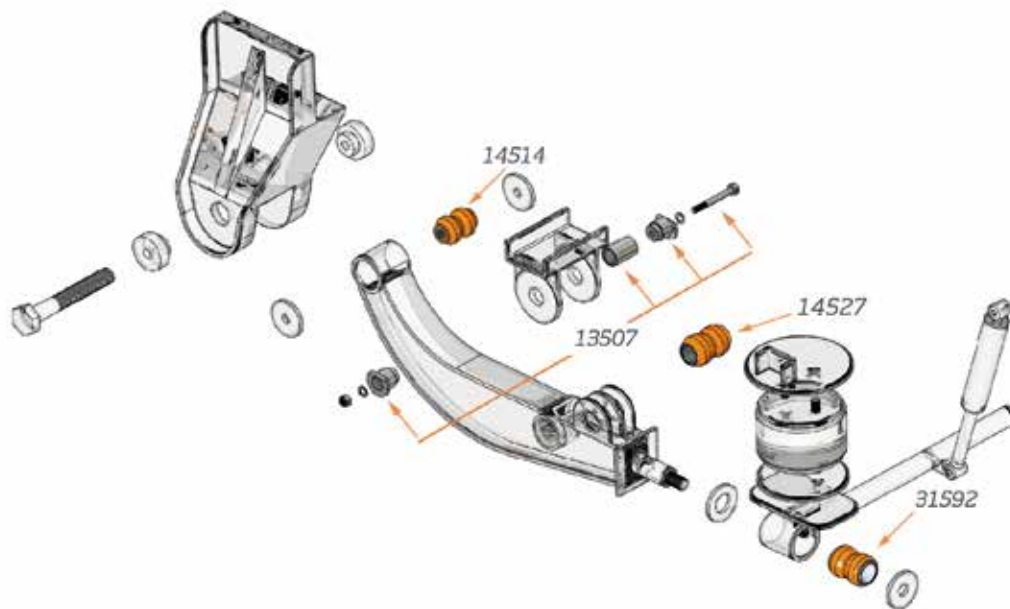


Códigos GAFF

11764, 11765, 13521

Series ARDST / ARDSTM / 123-6 / 244-6 / 246-6

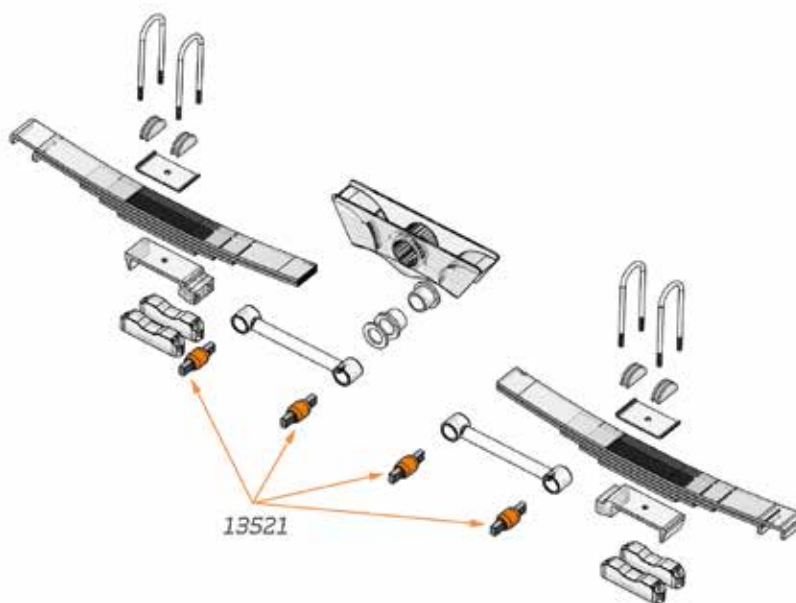
DG093



Códigos GAFF 13507, 14514, 14527, 31592

4 Muelles

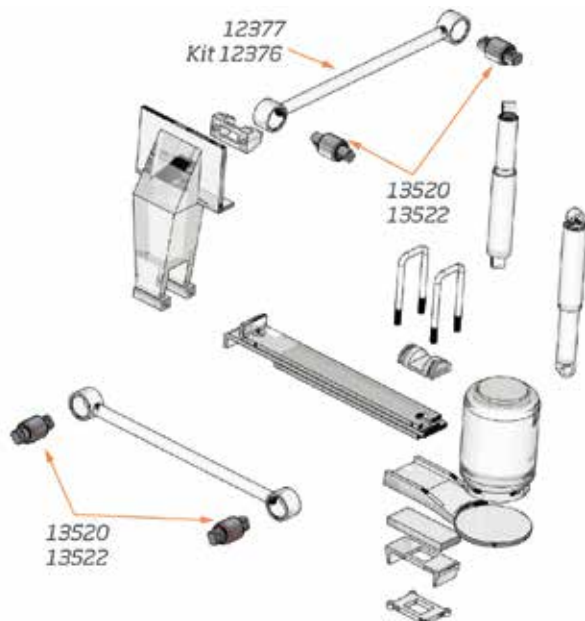
DG096



Códigos GAFF 13521

Air Trac Single

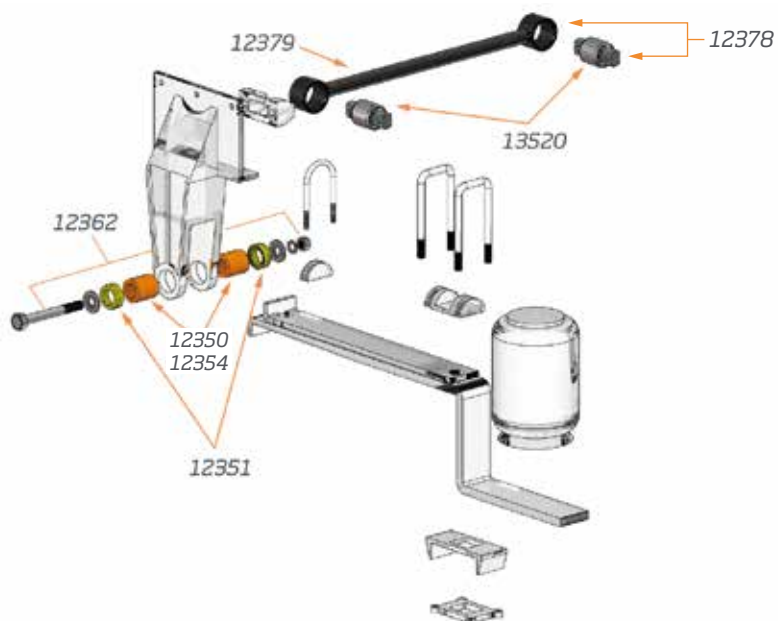
DG098



Códigos GAFF 12376, 12377, 13520, 13522

Low Air Leaf

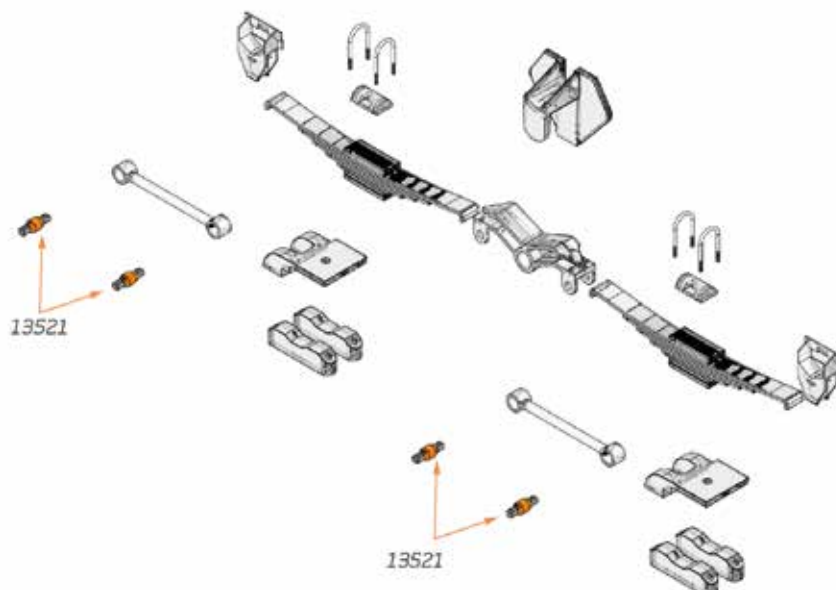
DG099



Códigos GAFF 12350, 12351, 12354, 12362, 12378, 12379, 13520

Quadraflex

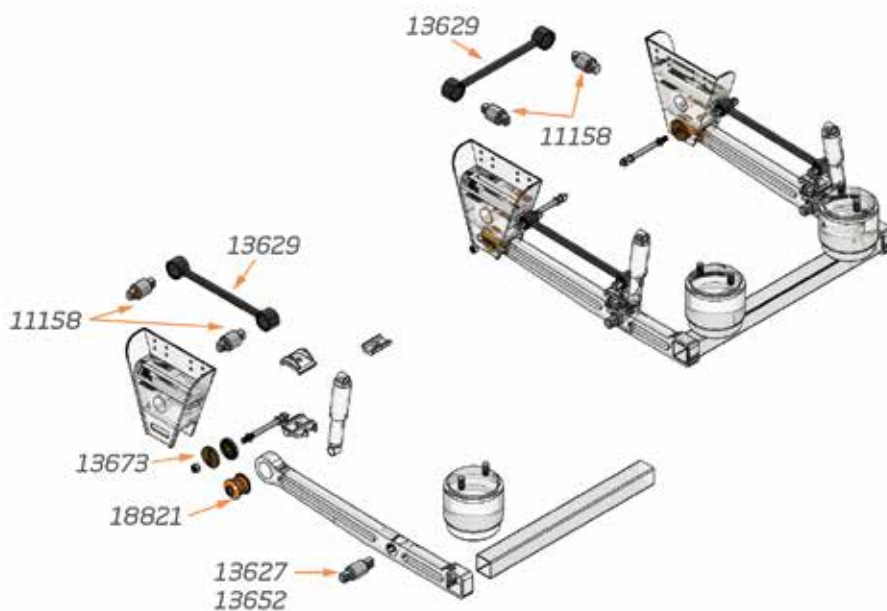
DG100



Códigos GAFF 13521

Pirmaax EX 232 / 462 / 692 Firemaax EX 242 / 482 de 8 1/2" a 10 1/2"

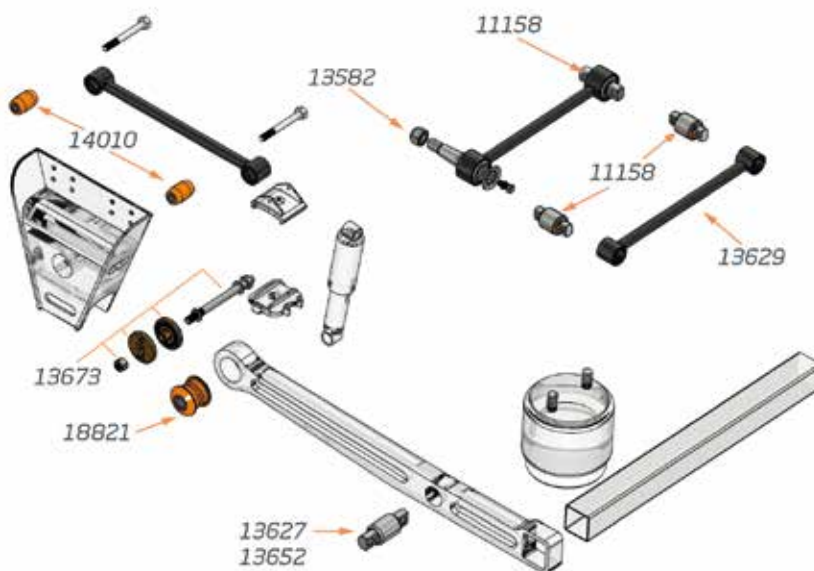
DG103



Códigos GAFF 11158, 13627, 13629, 13652, 13673, 18821

**Pirmaax 230 / 460 / 690 Firemaax 240 /
480 de 12 1/2", 14 3/8 15 1/2"**

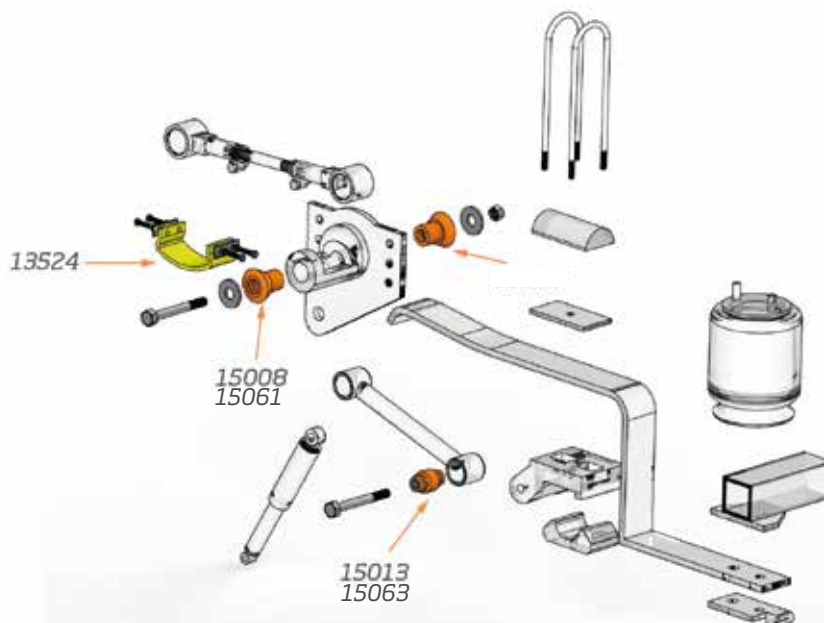
DG104



Códigos GAFF 11158, 13582, 13627, 13629, 13652, 13673,
14010, 18821

102 AR

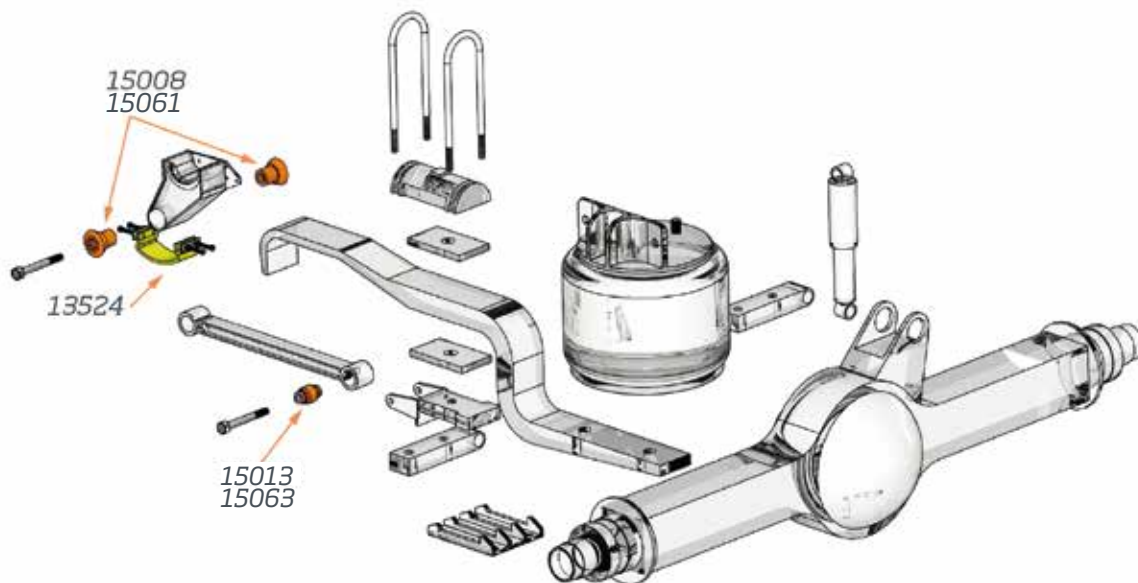
DG114



Códigos GAFF 13524, 15008, 15013, 15061, 15063

240 AR

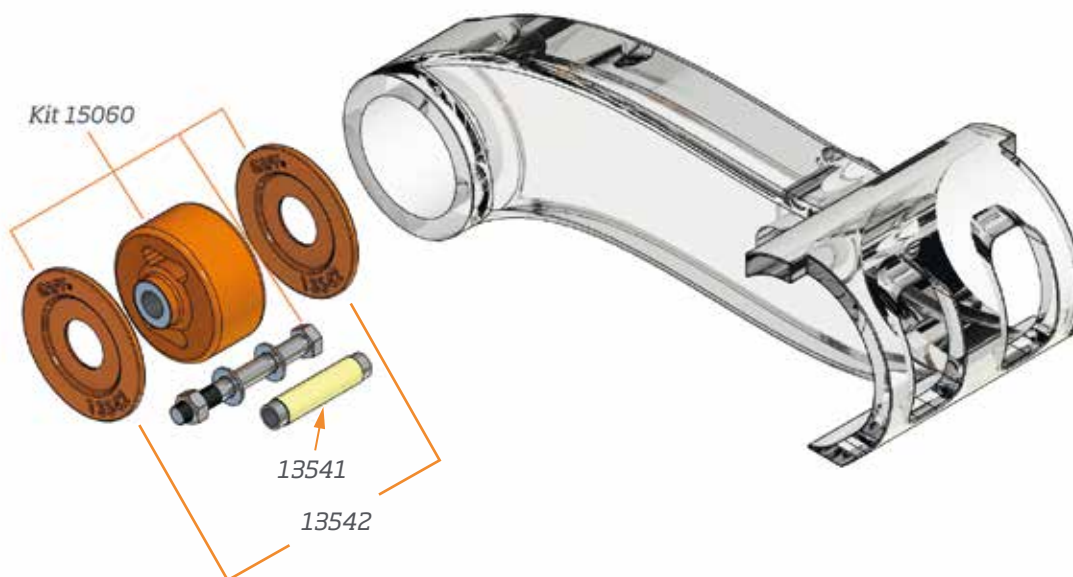
DG115



Códigos GAFF 13524, 15008, 15013, 15061, 15063

19 AR / RS 1062

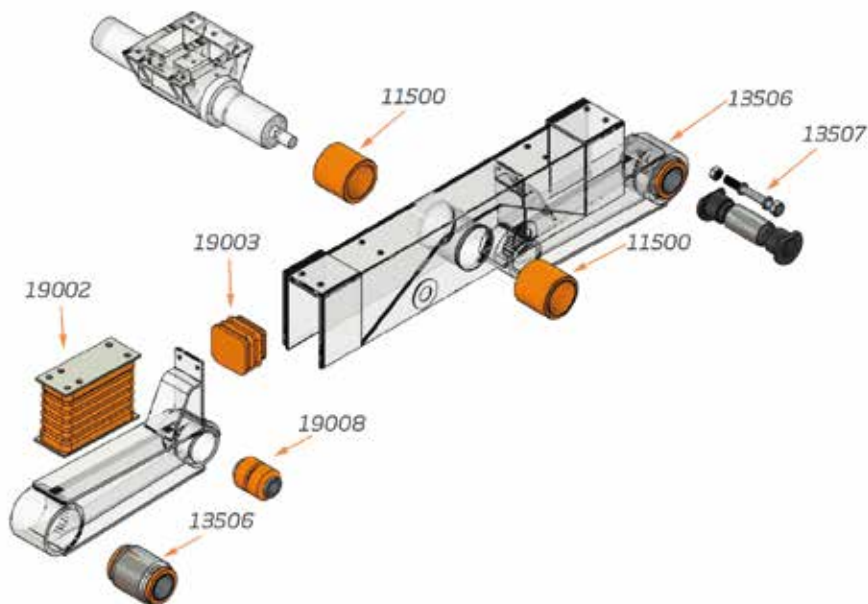
DG116



Códigos GAFF 13541, 13542, 15060

RD-202C-54-44L

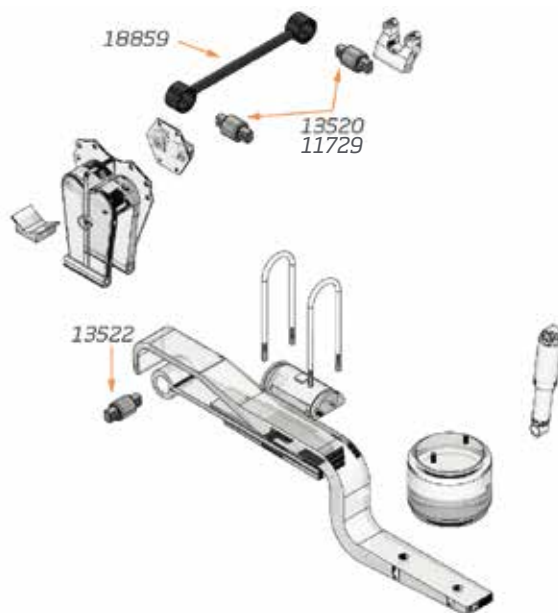
DG120



Códigos GAFF 11500, 13506, 13507, 19002, 19003, 19008

Air Ride

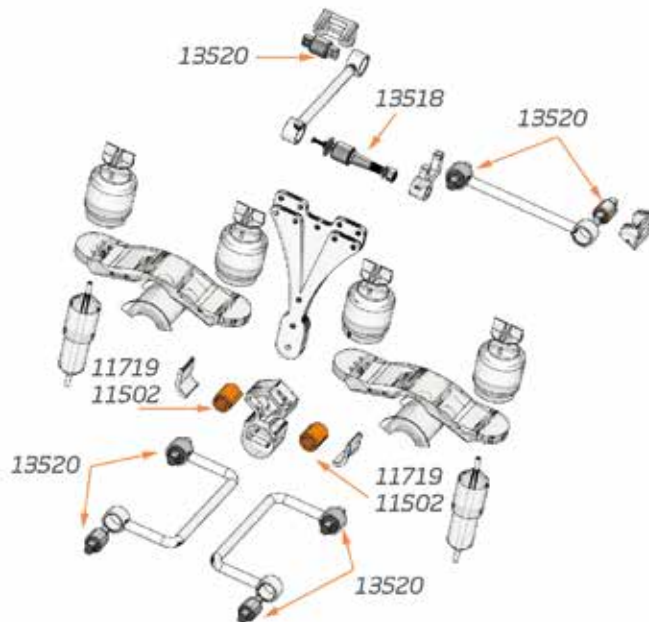
DG128



Códigos GAFF 11729, 13520, 13522, 18859

Serie Airglide 100

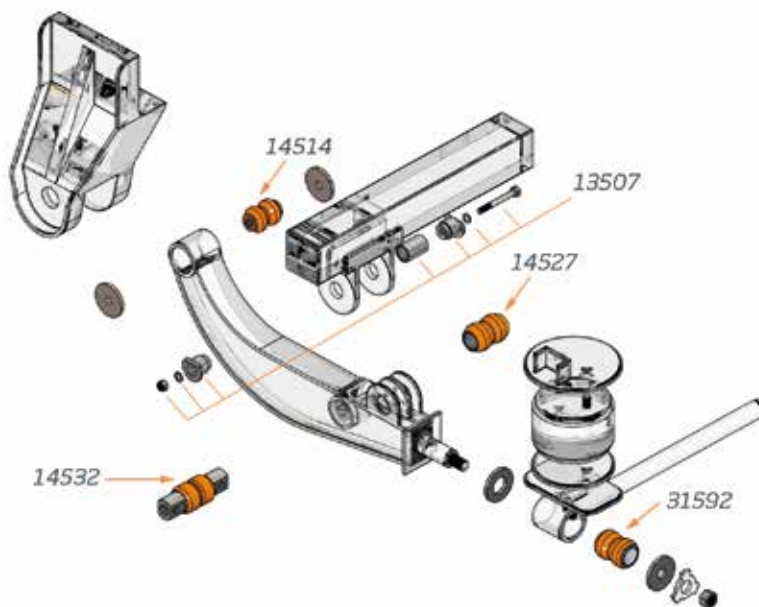
DG134



Códigos GAFF 11502, 11719, 13518, 13520

Series AD-123 / 246-6 / 5 / 8 / 7 / 10

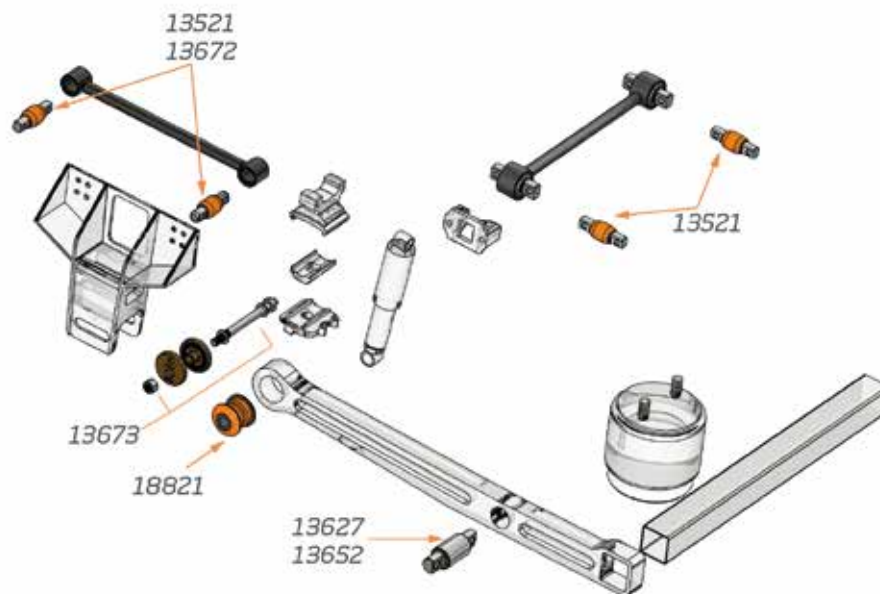
DG135



Códigos GAFF 13507, 14514, 14527, 14532, 31592

**Primaax EX 262/522/782,
Firemaax EX 272/542 8 1/2" 10"**

DG138



Códigos GAFF 13521, 13627, 13652, 13672, 13673, 18821

Buje Tandem Tandem Bushing

14013

	Inch	mm
ID	1	25.40
OD	2	50.80
LG	3	76.20



Herramienta: Utiliza: 2
Diagrama: Relacionado:
Modelo: H-11455-00
Año: Trailer Tri-Axle Suspension

OEM# R302935, R307443,
90008011, 900 08 09

Buje para Balancín Equalizer Bushing

14000

	Inch	mm
OD	3 5/16	84.14
LG	3 7/8	98.43
HO	3/4	19.05
LGC-C	1 11/32	34.13



Herramienta: Utiliza: 4
Diagrama: DG007, DG058, DG059, DG060, DG061, DG064, DG124, DG127
Relacionado: 14002
Año:
Modelo: Series H-2200/H-2300/Series H-9600/CH-9600 (CAST)/H-7600/CH-7600(CAST)/Series H-9700/H-9700 TWS/CH-9700(CAST)/TWS54.5/61/73/Series H-9700

OEM# UCA-0472, 7010-00,
R301999A

Buje para Balancín Equalizer Bushing

14002

	Inch	mm
ID	1	25.40
OD	3 5/16	84.14
LG	4	101.60



Herramienta: Utiliza: 2
Diagrama: DG058, DG059, DG060, DG061, DG064
Relacionado: 14038
Año:
Modelo: 86/88/89
Four Spring

OEM# 064902, K0649-02

Buje para Barra de Torsión Torque Rod Bushing

14008

	Inch	mm
ID	1	25.40
OD	1 29/32	48.42
LG	3	76.20



Herramienta: Utiliza: 8
Diagrama: DGL30
Relacionado: 13522
Modelo: CH9600/9700/
Series 42.5/54.5
Año:

OEM# 722-00

Buje para Barra de Torsión Torque Rod Bushing

14026

	Inch	mm
ID	7/8	22.23
OD	1 27/32	46.83
LG	2 21/32	67.47



Herramienta: Utiliza: 8
Diagrama: Relacionado: 14010, 14031, 15013
Modelo: RideSentry
MPA Series Tandem
Año:

OEM# A1225-G-1437

Buje para Muñón Trunnion Bushing

14027

	Inch	mm
ID	4	101.60
OD	5	127.00
LG	9	228.60



Herramienta: Utiliza: 4
Diagrama: DG062, DG063
Relacionado: 14012
Modelo:
Año:

OEM#

Buje para Barra de Torsión Torque Rod Bushing

14029

	Inch	mm
ID	1	25.40
OD	1 3/4	44.45
LG	3	76.20



Herramienta: Utiliza: 8
Diagrama: Relacionado: 11561, 14015, 14015
Modelo:
Año:

OEM#

Buje para Barra de Torsión Torque Rod Bushing

14031

	Inch	mm
ID	7/8	22.23
OD	1 3/4	44.45
LG	3	76.20



Herramienta: Utiliza: 8
Diagrama: Relacionado: 14026, 14010, 14010
Modelo:
Año:

OEM# A-1712/34734C1

Buje para Balancín Equalizer Bushing

14038



	Inch	mm
ID	1 5/32	29.37
OD	3 5/16	84.14
LG	3 7/8	98.43



Herramienta: Utiliza: 4
Diagrama: DG007, Relacionado: 14002
DG058, DG059, DG060, Año:
DG061, DG064
Modelo: H-9700/
CH-9700

OEM# 16146-01, 18723-01

Buje para Barra de Torsión Torque Rod Bushing

14073



	Inch	mm
ID	1	25.40
OD	1 15/16	49.21
LG	3	76.20



Herramienta: 18836 / Utiliza: 4
40124 / 50049 Relacionado: 14078
Diagrama: DG060, Año:
DG061, DG064, DG127
Modelo: Series H-9700/ H-9700 TWS/ CH-9700(CAST)/
TWSS4.5/ 6L/ 73/ Series H-9700/ CH-9700/ H-7700/ CH-7700/
TRAILMOBILE/ TRAILMOBILE para 4 Muelles

OEM# 722-00

Barra de Torsión Torque Rod

14078



	Inch	mm
ID	1 3/4	44.45
LG C-C	19 1/4	488.95



Herramienta: Utiliza: 2
Diagrama: Relacionado: 14026,
Modelo: 14089, 14089
Año:

OEM# 715-00

Cojinete para Suspensión Spring Pad

14087



	Inch	mm
LG	5	127.00
WD	2 7/8	73.03
TK	13/16	20.64



Herramienta: Utiliza: 8
Diagrama: Relacionado: 11130
Modelo:
Año:

OEM# 814-00

Kit Barra de Torsión Torque Rod Kit

14089



	Inch	mm
LG C-C	19 1/4	488.95

Componentes

- 1 Pz. 14078 Barra de Torsión / 1 Qty. 14078 Torque Rod
- 2 Pzs. 14073 Buje para Barra de Torsión / 2 Qty. 14073 Torque Rod Bushing

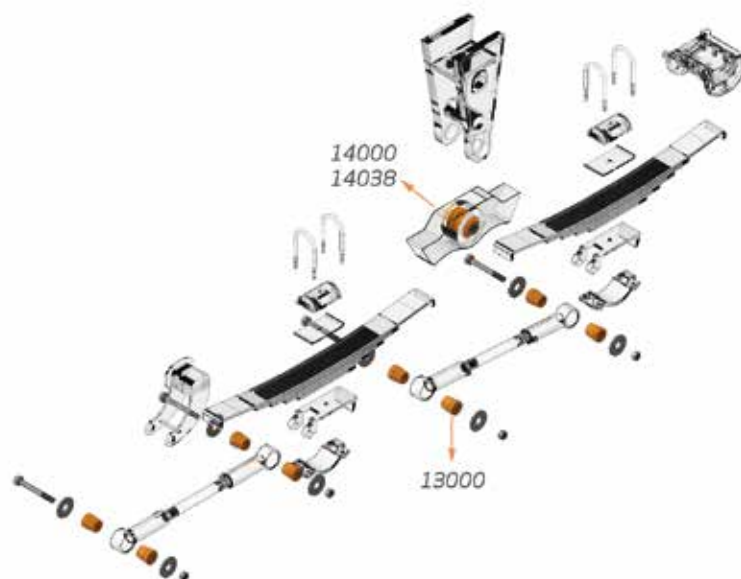


Herramienta: Utiliza: 2
Diagrama: Relacionado: 14078,
Modelo: Binkley 14073, 14073
Año: 2013-2015

OEM# SP0143, R309307

H-9700 / CH-9700 CAST

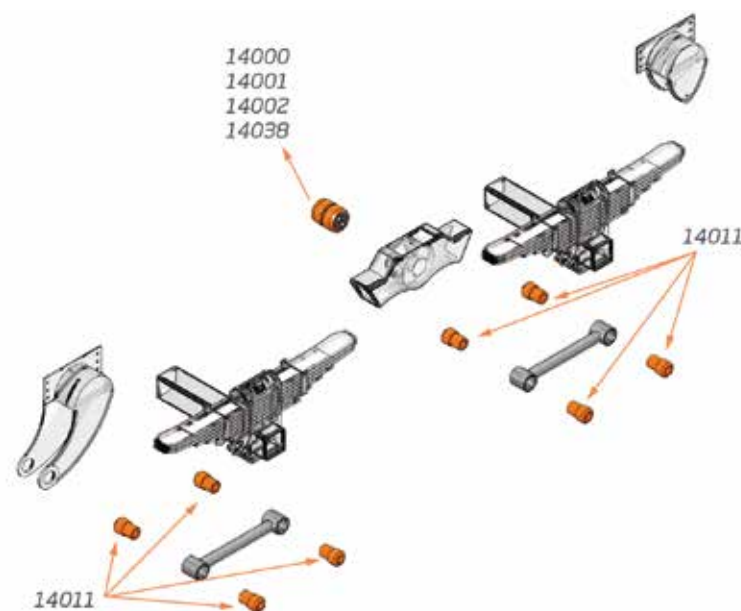
DG007



Códigos GAFF 13000, 14000, 14038

Series H-2200 / H-2300

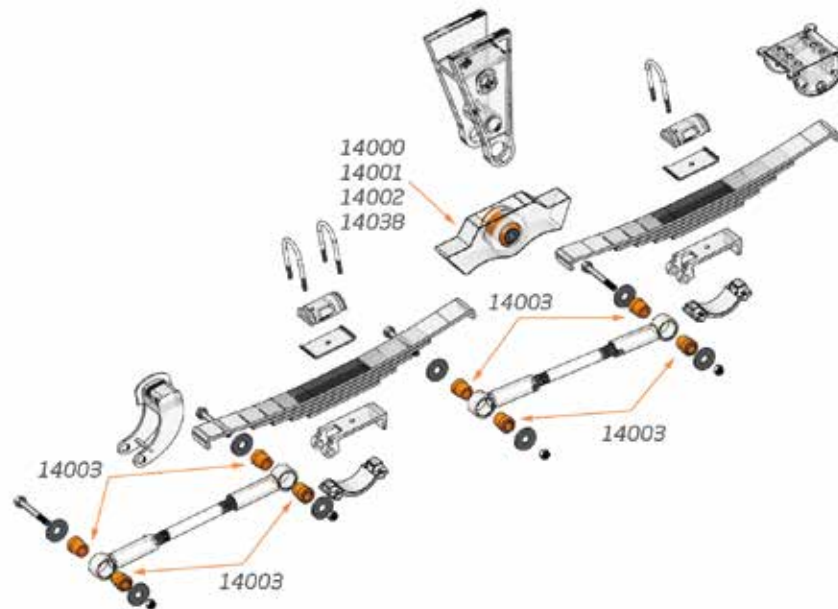
DG058



Códigos GAFF 14000, 14001, 14002, 14011, 14038

Series H-9600 / CH-9600(cast) / H-7600 / CH-7600(cast)

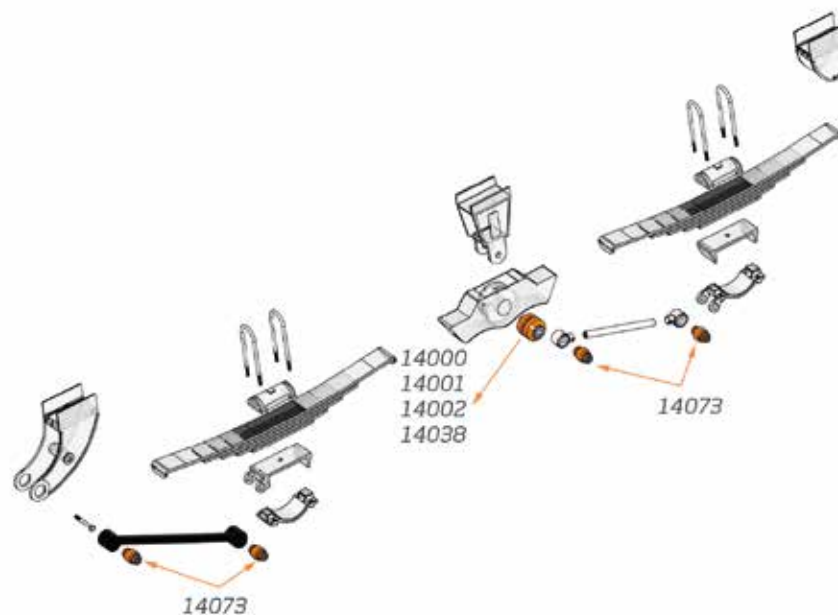
DG059



Códigos GAFF 14000, 14001, 14002, 14003, 14038

Series H-9700/H 9700 TWS / CH 9700(cast)/TWS 54.5/ 61 / 73

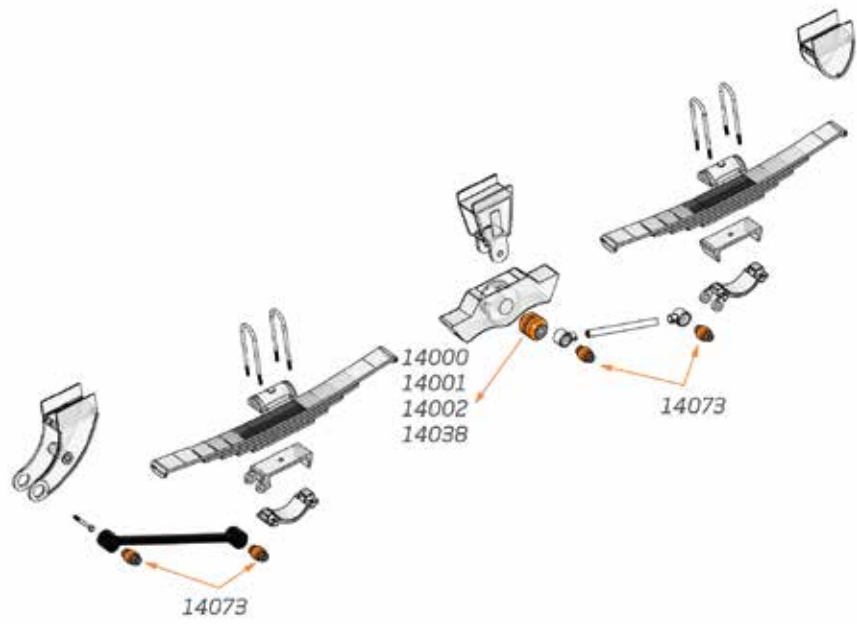
DG060



Códigos GAFF 14000, 14001, 14002, 14038, 14073

Serie H-9700 / CH-9700 / H7700 / CH-7700

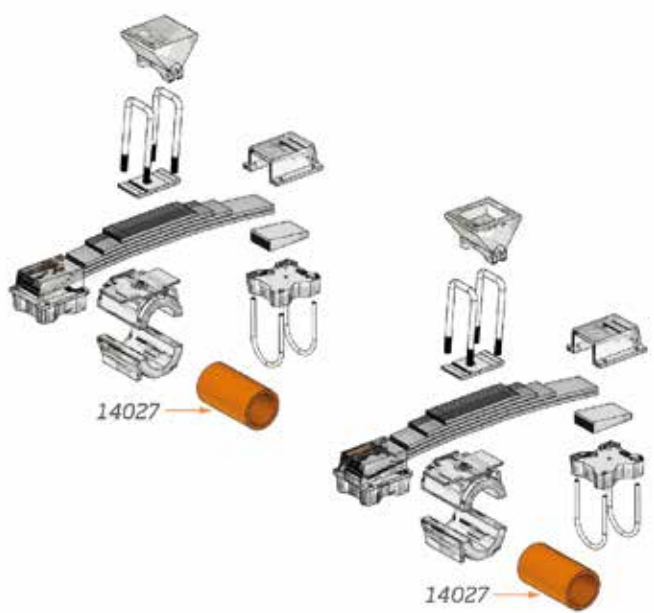
DG061



Códigos GAFF 14000, 14001, 14002, 14038, 14073

Serie H-440

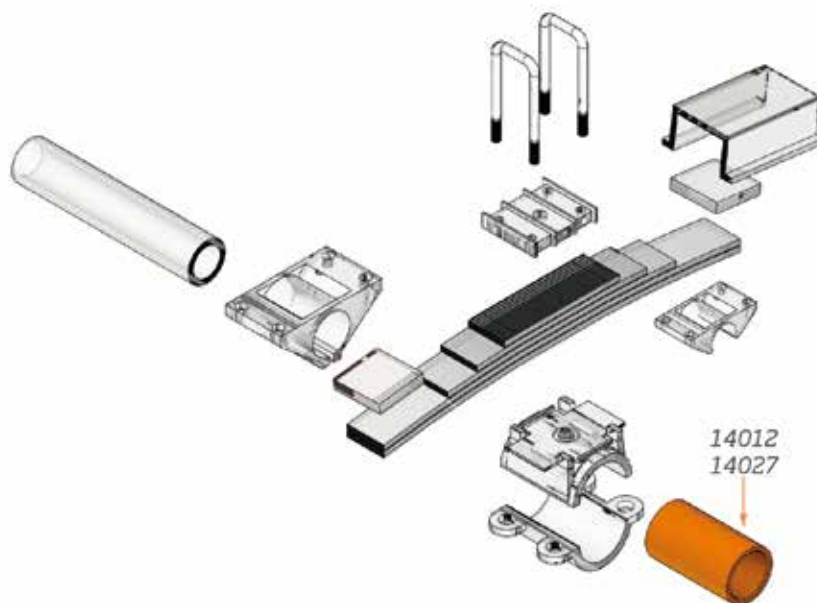
DG062



Códigos GAFF 14027

Serie H-900

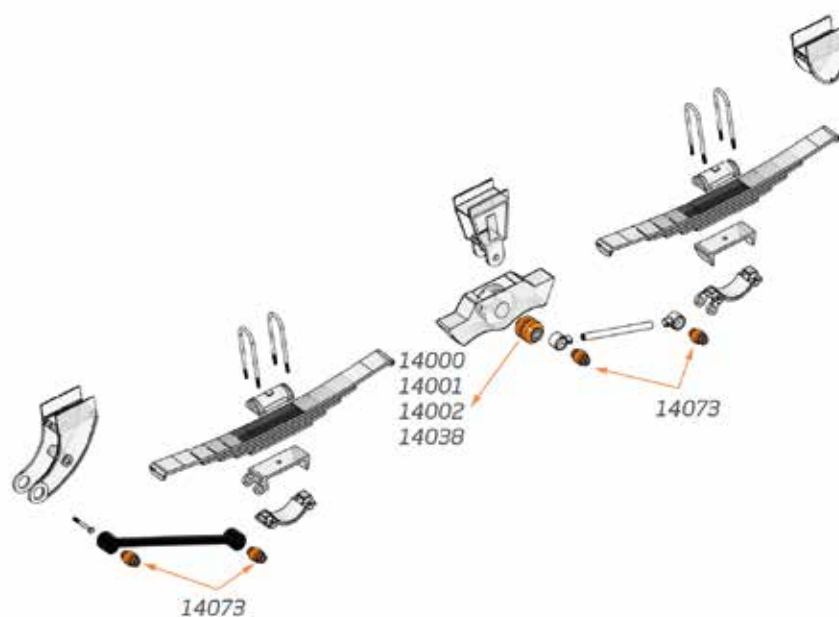
DG063



Códigos GAFF 14012, 14027

Serie H-9700 / CH-9700 / CAST TWS 109 / 121

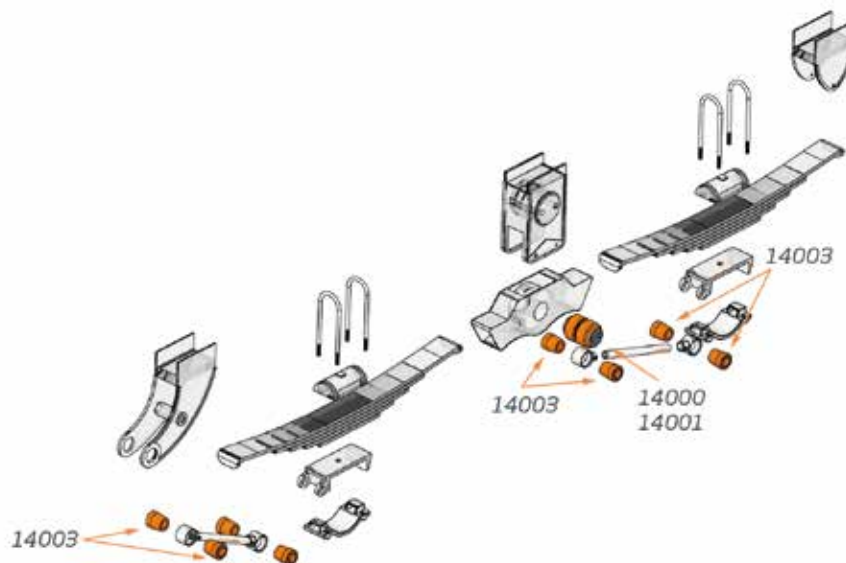
DG064



Códigos GAFF 14000, 14001, 14002, 14038, 14073

4 Muelles

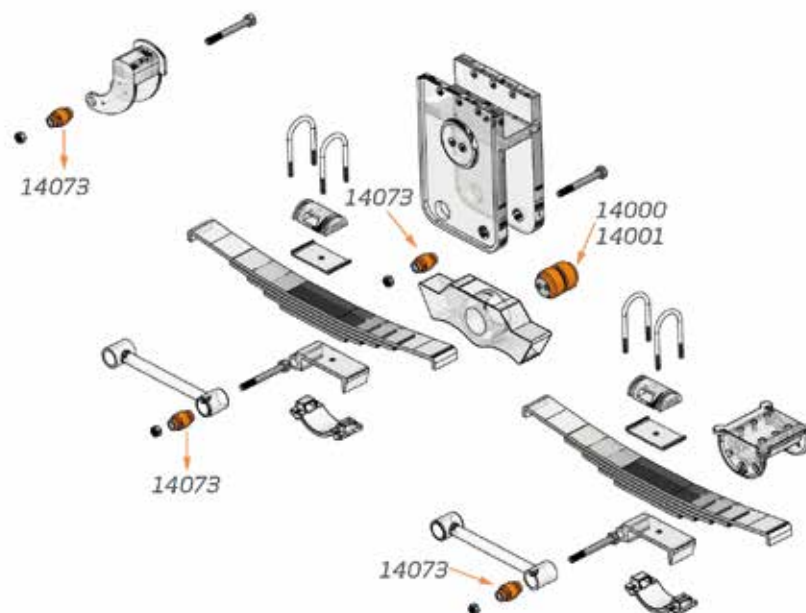
DG124



Códigos GAFF 14000, 14001, 14003

4 Muelles Estándar

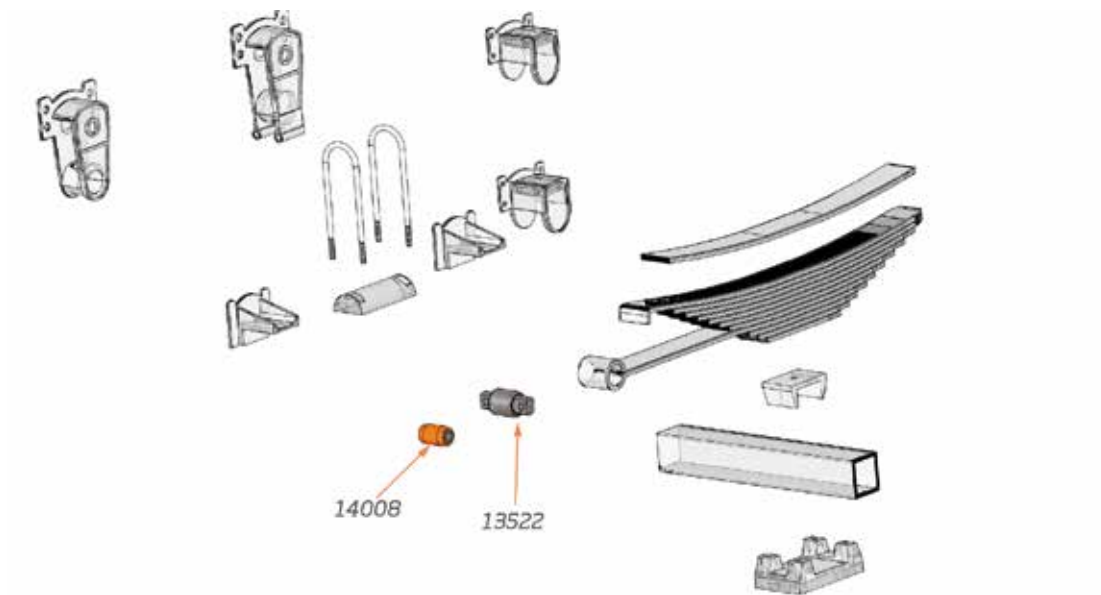
DG127



Códigos GAFF 14000, 14001, 14073

Eje Trasero

DG130



Códigos GAFF 13522, 14008

Buje para Suspensión de Aire Air Leaf Bushing

18256



	Inch	mm
ID	3	76.20
OD	5 5/8	142.88
LG	2 7/8	73.03



Herramienta: Utiliza: 4
Diagrama: Relacionado:
Modelo: F2ST / F3ST /
RF2STD / RF2STL
Año:

OEM# 400329

Hyundai

Buje para Barra Estabilizadora Sway Bar Bushing

60011



	Inch	mm
ID	2 1/16	52.39
LG	2 23/32	69.06



Herramienta: Utiliza: 2
Diagrama: Relacionado: 60016
Modelo: Hyundai Trago /
Aero City
Año: 2010-2014

OEM# 557728D000

Kit Varilla para Barra Estabilizadora Sway Bar Rod Kit

60015



Componentes

- 1 Pz. 60013 Varilla para Barra Estabilizadora /
1 Qty. 60013 Sway Bar Rod
- 1 Pz. 40202 Buje para Amortiguador /
1 Qty. 40202 Shock Absorber Bushing



Herramienta: Utiliza: 2
Diagrama: Relacionado: 40202,
60016
Modelo: HD78-H500
Año: 2016-2017

OEM# 547905H920

Kit Varilla para Barra Estabilizadora Sway Bar Rod Kit

60016



Componentes

- 1 Pz. 60014 Varilla para Barra Estabilizadora /
1 Qty. 60014 Sway Bar Rod
- 1 Pz. 40202 Buje para Amortiguador / 1 Qty.
40202 Shock Absorber Bushing



Herramienta: Utiliza: 2
Diagrama: Relacionado: 40202,
60015
Modelo: HD78-H500
Año: 2016-2017

OEM# 557905H000

Guía para Cofre

Hood Pin

34536



	Inch	mm
ID	5/16	7.94
OD	2 7/16	61.91
LG	1 11/16	42.86
THD	5/16-18 UNC	



Herramienta: Utiliza: 2
 Diagrama: Relacionado: 18009
 Modelo:
 Año: 2008

OEM# 472697C1

Cofre

International Truck

Soporte para Cabina

Cab Mount

10004



	Inch	mm
ID	3/4	19.05
LG	3 1/2	88.90
WD	3	76.20
H	1 29/32	48.42



Herramienta: Utiliza: 2
 Diagrama: Relacionado: 34515, 34516, 34516, 34552
 Modelo:
 Año:

OEM# 449713-C2, 14003022, 14004200, 449713C1

Soporte para Cabina

Cab Mount

18113



	Inch	mm
ID	5/8	15.88
OD	1 15/32	37.31
LG	2 7/8	73.03



Herramienta: Utiliza: 2
 Diagrama: Relacionado: 34550
 Modelo:
 Año:

OEM# 503359C1

Cabina

Soporte para Cabina

Cab Mount

34515



	Inch	mm
ID	25/32	19.84
OD	3 3/8	85.73
LG	6 3/16	157.16
WD	3 11/16	93.66
H	3	76.20
HO	17/32	13.49
LG C-C	5	127.00
OD <	2 17/32	64.29



Herramienta: Utiliza: 2
 Diagrama: Relacionado: 34528
 Modelo: Navistar Eagle C / 4300 / 7400
 Año:

OEM# 3515345C1, 512-3NS

Soporte para Cabina

Cab Mount

34516



	Inch	mm
ID	1/2	12.70
OD	2 7/8	73.03
LG	3 9/32	83.34



Herramienta: Utiliza: 2
 Diagrama: Relacionado: 11705, 34515, 34515, 34552
 Modelo: 9400
 Año:

OEM# 3574680C1, 3574678C1

Cabina

Cofre

Soporte para Cabina

Cab Mount

34528



A3

	Inch	mm
ID	5/8	15.88
OD	3 3/8	85.73
LG	6 3/16	157.16
WD	3 11/16	93.66
H	3	76.20
HO	17/32	13.49
LG C-C	5	127.00
OD<	2 17/32	64.29



Herramienta: Utiliza: 2
 Diagrama: Relacionado: 34515
 Modelo: 7400
 Año:

OEM# 3512064C4

Buje para Barra de Torsión de Cabina

Torque Rod Bushing Cab

34532



A3

	Inch	mm
ID	1/2	12.70
OD	1 3/16	30.16
LG	2 1/16	52.39



Herramienta: Utiliza: 4
 Diagrama: Relacionado:
 Modelo:
 Año:

OEM#

Soporte para Cabina

Cab Mount

34552



A1

	Inch	mm
ID	2 1/32	16.67
OD	2 7/8	73.03
LG	3 9/32	83.34



Herramienta: Utiliza: 2
 Diagrama: Relacionado: 11705, 34515, 34515
 Modelo: Prostar
 Año: 2011-2015

OEM# 3595976C5 / 0 3595976C4

Gancho para Cofre

Hood Latch

10024



A3

	Inch	mm
LG	5 7/8	149.23



Herramienta: Utiliza: 2
 Diagrama: Relacionado: 10506, 34548, 34548
 Modelo:
 Año:

OEM#

Guía para Cofre

Hood Pin

10026



A4

	Inch	mm
OD	2 3/16	55.56
LG	2 3/32	53.18
THD	3/8-16 UNC	



Herramienta: Utiliza: 2
 Diagrama: Relacionado: 34536
 Modelo:
 Año:

OEM# 1685916C1, 472697C1

Gancho para Cofre

Hood Latch

10506



A2

	Inch	mm
LG	8	203.20

Componentes

- 1 Pz. HT10506 Remache / 1 Qty. HT10506 Rivet
- 2 Pzs. HT00010-4 Arandela / 1 Qty. HT00010-4 Washer



Herramienta: Utiliza: 2
 Diagrama: DG018 Relacionado: 10024, 34548, 34548
 Modelo: Navistar 4900 / 7100 / 8300 / 8600
 Año:

OEM# 16899930C91

Buje para Bisagra de Cofre

Hood Hinge Bushing

34530



A3

	Inch	mm
ID	13/32	10.32
OD	1 1/2	38.10
LG	2 5/32	54.77



Herramienta: Utiliza: 2
 Diagrama: Relacionado: 34589
 Modelo: Prostar Eagle
 Año:

OEM# 1668950C1

Gancho para Cofre

Hood Latch

34548



B

	Inch	mm
LG	12 17/32	318.29
WD	2 3/8	60.33



Herramienta: Utiliza: 2
 Diagrama: Relacionado: 10024, 10506, 10506
 Modelo: Prostar 8600
 Año:

OEM# 3544924C1

Gancho para Cofre Hood Latch

34549



	Inch	mm
LG	4 3/64	102.79
WD	1 21/64	33.73



Herramienta: Utiliza: 2
Diagrama: Relacionado: 10024,
Modelo: Prostar 8600 10506, 10506
Año:

OEM# 3544925C2

Soporte Derecho para Cofre Hood Right Mount

34581



	Inch	mm
LG	8 3/16	207.96
WD	6 15/32	164.31
H	2 13/32	61.12
HO	29/64	11.51
TK	5/16	7.95



Herramienta: Utiliza: 1
Diagrama: Relacionado: 34583
Modelo: Prostar R.
Año:

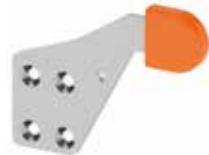
OEM# 3810979C4

Soporte Izquierdo para Cofre Hood Left Mount

34583



	Inch	mm
LG	8 3/16	207.96
WD	6 15/32	164.31
H	2 13/32	61.12
HO	29/64	11.51
TK	5/16	7.95



Herramienta: Utiliza: 1
Diagrama: Relacionado: 34581
Modelo: Prostar R.
Año:

OEM# 3810978C4

Buje para Bisagra de Cofre Hood Hinge Bushing

34589



	Inch	mm
ID	3/8	9.53
LG	2 1/16	52.39
WD	1 25/32	45.24
H	2 5/32	54.77



Herramienta: Utiliza: 2
Diagrama: Relacionado: 34581,
Modelo: Prostar 34583, 34583
Año: 2002-2015

OEM# 3887225C1

Soporte Delantero para Motor Motor Mount, Front

10020



	Inch	mm
ID	5/8	15.88
OD	3	76.20
LG	2 7/32	56.36
OD<	2	50.80



Herramienta: Utiliza: 2
Diagrama: Relacionado: 10023,
Modelo: 10075, 10075
Año:

OEM# 753997C93,
753997C92, 753997C91,
J6210-49, J6210-41

Soporte para Motor Motor Mount

10023



	Inch	mm
ID	1 1/2	38.10
OD	3 17/32	89.69
LG	3	76.20
OD<	3 1/16	77.79



Herramienta: 10081 Utiliza: 2
Diagrama: Relacionado: 10075,
Modelo: 10020, 10020
Año:

OEM# 503579C1,
507569C91

Soporte para Motor Motor Mount

10075



	Inch	mm
ID	1 1/2	38.10
OD	3	76.20
LG	3	76.20



Herramienta: 10081 Utiliza: 2
Diagrama: Relacionado: 10020,
Modelo: F6 / F7 / F8 / 12301, 12301, 12305
W900
Año:

OEM# 507569C91, 503579C1,
503837C1, 12004-0007,
8077380

Soporte Trasero para Motor Motor Mount, Rear

10502



	Inch	mm
ID	5/8	15.88
OD	2 27/32	72.23
LG	2 13/32	61.12
OD<	1 1/2	38.10



Herramienta: Utiliza: 4
Diagrama: Relacionado: 10503,
Modelo: 10504, 10504
Año:

OEM# 470031C2

Cofre

Motor

Soporte Delantero para Motor Motor Mount, Front

10503



A2

	Inch	mm
ID	5/8	15.88
OD	2 13/16	71.44
LG	2 13/32	61.12
OD<	1 1/2	38.10



Herramienta: Utiliza: 4
Diagrama: Relacionado: 10502, 10504, 10504
Modelo: Año:

OEM# 470031C2, 470031, EE14003053, 1811

Soporte Delantero para Motor Motor Mount, Front

10504



A3

	Inch	mm
ID	5/8	15.88
OD	3 1/32	76.99
LG	2 5/8	66.68
OD<	1 19/32	40.48



Herramienta: Utiliza: 2
Diagrama: Relacionado: 10502, 10503, 10503
Modelo: Año:

OEM# 47927C1

Soporte para Motor Motor Mount

10505



A2

	Inch	mm
ID	5/8	15.88
OD	3 1/32	76.99
LG	2 5/8	66.68
OD<	1 9/16	39.69



Herramienta: Utiliza: 2
Diagrama: Relacionado: 10502, 10503, 10503
Modelo: Año:

OEM# 479237C1, 583955C1, 14003030, 14003052, 4170

Kit Soporte Trasero para Motor Motor Mount Kit, Rear

34500



A3

Componentes

1 Pz. 34508 Soporte Trasero para Motor / 1 Qty. 34508 Motor Mount Rear

1 Pz. 34593 Soporte Inferior para Motor / 1 Qty. 34593 Motor Mount, (Lower)



Herramienta: Utiliza: 2
Diagrama: Relacionado: 34508, 34593
Modelo: Navistar / 4300 / 7400 / 6200
Año:

OEM# 1664728C1, 1664728C2

Soporte Inferior para Motor Motor Mount, (Lower)

34507



A3

	Inch	mm
ID	21/32	16.67
OD	3	76.20
LG	9/16	14.29



Herramienta: Utiliza: 2
Diagrama: Relacionado: 34500, 34508, 34508
Modelo: Navistar
Año:

OEM# 1664726C2

Soporte Trasero para Motor Motor Mount, Rear

34508



A4

	Inch	mm
ID	11/16	17.46
LG	5 17/32	140.49
WD	3 3/32	78.58
H	2 13/16	71.44
THR	3/8-16 UNC	



Herramienta: Utiliza: 2
Diagrama: Relacionado: 34500, 34507, 34507
Modelo: Año:

OEM# 1664728C1

Kit Soporte Delantero para Motor Motor Mount Kit, Front

34509



A1

Componentes

1 Pz. 34569 Soporte Superior para Motor / 1 Qty. 34569 Motor Mount, (Upper)

1 Pz. 34593 Soporte Inferior para Motor / 1 Qty. 34593 Motor Mount, (Lower)



Herramienta: Utiliza: 2
Diagrama: Relacionado: 34500, 34526, 34524, 34569, 34593
Modelo: Navistar Corporate Air / 4300 / 7400 / 6200
Año:

OEM# 1664723C1, 1664723C2, 1664723C3, 3613279C4

Kit Soporte Trasero para Motor Motor Mount Kit, Rear

34510



A1

	Inch	mm
ID	13/16	20.64
LG	7	177.80
WD	3 3/8	85.73
H	4 3/4	120.65

Componentes

1 Pz. 34510 FP Soporte Superior para Motor / 1 Qty. 34510 FP Upper Motor Mount

1 Pz. 34522 Soporte Trasero para Motor / 1 Qty. 34522 Motor Mount, Rear



Herramienta: Utiliza: 2
Diagrama: Relacionado: 34525, 34522, 34522, 34526
Año: Modelo: Lonestar And Prostar Models / Fits International 2500 / 2600 / 5500i / 5600i / 5900i / 7600 / 7700 / 8100 / 8600 / 9100 / 9200 / 9400 / 9900 HX

OEM# 1664729C4, BCD274772

Soporte Trasero para Motor

Motor Mount, Rear

34522



	Inch	mm
ID	3/4	19.05
OD	3 19/32	91.28
H	19/32	15.08



Herramienta: Utiliza: 2
 Diagrama: Relacionado: 34510, 34509, 34509, 34526
 Modelo:
 Año: 2010

OEM#1664726C2

Kit Soporte Trasero para Motor

Motor Mount Kit, Rear

34524



BOLT	Inch	mm
	5/8-18 UNF	

Componentes

2 Pzs. 34508 Soporte Trasero para Motor / 2 Qty. 34508 Motor Mount Rear
 2 Pzs. 34593 Soporte Inferior para Motor / 2 Qty. 34593 Motor Mount, (Lower)
 2 Pzs. HT00011-1 Tornillo / 2 Qty. HT00011-1 Bolt
 2 Pzs. HT00027-2 Tuerca / 2 Qty. HT00027-2 Nut
 2 Pzs. HV18550 Arandela / 2 Qty. HV18550 Washer



Herramienta: Utiliza: 1
 Diagrama: Relacionado: 34500, 34507, 34510
 Modelo:
 Año:

OEM#1664728C1

Kit Soporte Trasero para Motor

Motor Mount Kit, Rear

34525



	Inch	mm
THR	3/4-16 UNF	
BOLT	3/4-16 UNF	

Componentes

2 Pzs. 34510 Kit Soporte Trasero para Motor / 2 Qty. 34510 Motor Mount Rear Kit
 2 Pzs. HT00015-4 Tornillo / 2 Qty. HT00015-4 Bolt
 2 Pzs. HT00016-2 Tuerca tipo Gripco / 2 Qty. HT00016-2 Nylon Insert Nut
 4 Pzs. HL110 Arandela / 4 Qty. HL110 Washer



Herramienta: Utiliza: 1
 Diagrama: Relacionado: 34510, 34522, 34522, 34526
 Modelo:
 Año:

OEM#1664729C4

Kit Soporte para Motor

Motor Mount Kit

34526



BOLT	Inch	mm
	5/8-18 UNF	

Componentes

2 Pzs. 34569 Soporte para Motor / 2 Qty. 34569 Motor Mount
 2 Pzs. 34593 Soporte Inferior para Motor / 2 Qty. 34593 Motor Mount, (Lower)
 2 Pzs. HT00011-2 Tornillo / 2 Qty. HT00011-2 Bolt
 2 Pzs. HT00027-2 Tuerca / 2 Qty. HT00027-2 Nut
 2 Pzs. HV18550 Arandela / 2 Qty. HV18550 Washer



Herramienta: Utiliza: 1
 Diagrama: Relacionado: 34500, 34507, 34593
 Modelo: Fas II Airliner
 Año:

OEM#1664723C2

Soporte Trasero para Motor

Motor Mount, Rear

34529



	Inch	mm
ID	11/16	17.46
LG	5	127.00
WD	3	76.20
H	3 13/16	96.84



Herramienta: Utiliza: 2
 Diagrama: Relacionado: 34510, 34525, 34525
 Modelo: 4700
 Año: 1998

OEM#3549169C2

Soporte para Motor

Motor Mount

34569



	Inch	mm
ID	11/16	17.46
LG	4 1/16	103.19
WD	4 1/16	103.19
H	1 15/16	49.21



Herramienta: Utiliza: 2
 Diagrama: Relacionado: 34507, 34509, 34509
 Modelo: Fas II Airliner
 Año:

OEM#1664723C2

Soporte Inferior para Motor

Motor Mount, (Lower)

34593



	Inch	mm
ID	5/8	15.88
OD	3	76.20
TK	19/32	15.08



Herramienta: Utiliza: 2
 Diagrama: Relacionado: 34500, 34509, 34509
 Modelo: Navistar
 Año:

OEM#1664726C2

Buje para Barra de Torsión

Torque Rod Bushing

10000



	Inch	mm
ID	7/8	22.23
OD	2 11/32	59.53
LG	3 1/8	79.38



Herramienta: Utiliza: 2
 Diagrama: Relacionado: 11714
 Modelo:
 Año:

OEM#412587C1, 39400013

Motor

Suspensión

10028

Buje para Balancín

Equalizer Bushing

	Inch	mm
ID	1	25.40
OD	2 5/8	66.68
LG	4 1/2	114.30



Herramienta: Utiliza: 2
Diagrama: Relacionado: 13513
Modelo: Navistar Corporate Air
Año: OEM# 497501C2

11005

Buje para Barra de Torsión

Torque Rod Bushing

	Inch	mm
OD	2 1/2	63.50
HO	13/16	20.64
LG C-C	5 3/4	146.05



Herramienta: 11069 Utiliza: 4
Diagrama: DG012, Relacionado: 11083
Modelo: Fas II Airliner
Año: OEM# 16-13962-000, 353811SCL, W300861

11714

Buje para Barra de Torsión

Torque Rod Bushing

	Inch	mm
OD	2 15/32	62.71
HO	21/32	16.67
LG C-C	4 3/8	111.13



Herramienta: 18833/ Utiliza: 4
 40131
Diagrama: DG042 Relacionado: 13518,
 13520, 13520, 13582,
Modelo: Series HAS 13618
 360/400/402/460
Año: OEM# 57256-000, 57256

13513

Buje para Balancín

Equalizer Bushing

	Inch	mm
ID	1	25.40
OD	2 1/2	63.50
LG	4 23/32	119.86



Herramienta: Utiliza: 2
Diagrama: DG066 Relacionado: 10028
Modelo: 8100 / 9200
 Single Axle
Año: OEM# 497501C2

13514

Buje para Barra de Torsión

Torque Rod Bushing

	Inch	mm
ID	1 1/8	28.58
OD	3	76.20
LG	3 1/4	82.55



Herramienta: Utiliza: 2
Diagrama: Relacionado: 13515,
 13516, 13516
Modelo: Famsa
Año: 2000
 OEM# 45477, 322069C1,
 322069C91

13518

Buje para Barra de Torsión

Torque Rod Bushing

	Inch	mm
OD	2 3/4	69.85
LG	8 1/16	204.79
THR	1 1/4-12 UNF	
THD	1 1/4-12 UNF	
BOLT	5/8-18 UNF	



Herramienta: 13584 / Utiliza: 2
 18833 / 40131
Diagrama: DG049, Relacionado: 13520
 DG050, DG053, DG054,
Año: DG134
Modelo: T22000 / T600 / T800 / W900 / Series RS
 OEM# 229610, 44697,
 64400-004L, 66649-004,
 44697-000L, 1693066C1, 02-
 29610, 229610

13520

Buje para Barra de Torsión

Torque Rod Bushing

	Inch	mm
OD	2 3/4	69.85
HO	21/32	16.67
LG C-C	4 3/8	111.13



Herramienta: 40131 / Utiliza: 12
 18551 / 18833
Diagrama: DG042, DG049, Relacionado: 13518, 13522,
 DG050, DG053, DG054, DG065, 13522, 11714, 13536, 13582,
 DG066, DG068, DG098, DG099, 13618
Modelo: Series RS 400/403/
 460/463 / Series RT 380/440/
 Series RT 340 / Series RS
 OEM# 44695-000L, 227720,
 836940, 839310, 44695,
 64400-002L, 66649-002,
 1693061C1, 1688-227720, 02-
 27720, 227720

13521

Buje para Barra de Torsión

Torque Rod Bushing

	Inch	mm
OD	2	50.80
HO	21/32	16.67
LG C-C	4 13/32	111.92



Herramienta: 11071/18836 Utiliza: 4
Diagrama: DG040, DG041, Relacionado: 13524, 13527,
 DG042, DG043, DG043, DG044 13582, 13597, 13598, 13627,
 DG045, DG046, DG047 14010, 34539, 34562
Año:
Modelo: Primaax EX 262/522/782/Firemaax EX 272/542/
 Primaax 230/460/690/Firemaax 240/480/Series E4-360/400
 OEM# A16-119448, HDR 47691 000L,
 47691000, 47691, 47691-000L, H476
 91000L, HD47691000L, HUD4769100
 0L, 47691, HDR47691000L, 4000-476
 91000L, 85107110, 47691-000L, R305
 275, 47691

Kit Barra de Torsión Torque Rod Kit

13634



LGC-C	22	Inch	558.80	mm
-------	----	------	--------	----

Componentes

- 1 Pz. 13629 Barra de Torsión / 1 Qty. 13629 Torque Rod
- 2 Pzs. 11729 Buje para Barra de Torsión / 2 Qty. 11729 Torque Rod Bushing



Herramienta: Utiliza: 2
Diagrama: DG042 Relacionado: 11729, 13629, 13629
Modelo: Año:

OEM# 25174706, 17QF460P220

Barra de Torsión Torque Rod

13680



ID	2 3/4	Inch	69.85	mm
LGC-C	25		635.00	



Herramienta: Utiliza: 2
Diagrama: Relacionado: 13520, 13518, 13518
Modelo: Año:

OEM# 62350-635, 925150, 681-326-70-16

Buje Lateral Beam End Bushing

14514



ID	1 5/32	Inch	29.37	mm
OD	3 1/2		88.90	
LG	5		127.00	



Herramienta: 14531 Utiliza: 2
Diagrama: DG091, Relacionado: 14527, DG093, DG101, DG135 13507, 13507
Modelo: ARD TS/ Series ARD-125, -6, -8, -244-6, -8/ Series ARDST/ ARDSTM/ LS123-6/ LS-244-6/ LS-246-6/ Series AD-123/ 246-6.5, 8.75, 10

OEM# 90008151, 90008252

Buje Lateral Beam End Bushing

14528



ID	1 1/8	Inch	28.58	mm
OD	2 27/32		72.23	
LG	5 5/32		130.97	



Herramienta: Utiliza: 2
Diagrama: DG080, Relacionado: 14513, DG081, DG088 14533, 14533
Modelo: Series RL-196AS/ Series RL-228-14, -15, -16, -17/ Series AR-92-12, -14, -15, -16, -17, -18/ AR-93-14, -15, -16, -17
Año:

OEM# 90008149

Albardón Shackle Side Bar

18598



LG	5 1/4	Inch	133.35	mm
WD	2		50.80	
HO	1		25.40	
TK	1		25.40	
LGC-C	3 1/4		82.55	



Herramienta: Utiliza: 4
Diagrama: Relacionado: 13513, 10028, 10028
Modelo: Navistar Corporate Air Año: 1989

OEM# 1654690C1

Cojinete de Desgaste Wear Pad

30544



LG	5 9/16	Inch	141.29	mm
WD	3 1/2		88.90	
H	2		50.80	
HO	13/32		10.32	



Herramienta: Utiliza: 4
Diagrama: DG065 Relacionado: 13520
Modelo: Air Suspension Single / Tanparam Rear Axle Año:

OEM# 571960C1, WP55-290C1

Buje para Muelle Spring Bushing

34511



ID	3/4	Inch	19.05	mm
OD	1 27/32		46.83	
LG	4 7/32		107.16	



Herramienta: Utiliza: 2
Diagrama: Relacionado: 34550
Modelo: Navistar Corporate Air Año:

OEM# 3525665C1, 4C40-5348BA, 4C4Z5348BA

Soporte para Sobre Carga Bolster Spring

34521



LG	5 9/32	Inch	134.14	mm
WD	3 5/32		80.17	
H	4 9/16		115.89	
HO	7/16		11.11	
LGC-C	2 3/16		55.56	



Herramienta: Utiliza: 2
Diagrama: Relacionado: 34534
Modelo: Navistar S4000 Año:

OEM# 3554205C2

Suspensión

Buje para Barra de Torsión 34534

Torque Rod Bushing A4

	Inch	mm
OD	2 17/32	64.29
LG	8 1/16	204.79
THR	1 1/4-12 UNF	
THD	1 1/4-12 UNF	
BOLT	5/8-18 UNF	



Herramienta: Utiliza: 2
 Diagrama: Relacionado: 11714
 Modelo: Prostar
 Año: 2010

OEM# 64400-004L

Buje Delantero para Muelle 34550

Spring Bushing Front B

	Inch	mm
ID	1	25.40
OD	2 1/2	63.50
LG	4 1/4	107.95



Herramienta: Utiliza: 4
 Diagrama: Relacionado: 34511
 Modelo: 9400/7600
 Año: 2011

OEM# 3533233C1

Kit Barra de Torsión 34554

Torque Rod Kit B

	Inch	mm
LGC-C	22 7/8	581.03

Componentes

- 1 Pz. 12405 Barra de Torsión / 1 Qty. 12405 Torque Rod
- 2 Pzs. 13520 Buje para Barra de Torsión / 2 Qty. 13520 Torque Rod Bushing



Herramienta: Utiliza: 2
 Diagrama: Relacionado: 13520
 Modelo: Navistar
 Año:

OEM# 3580088C1, 3548381C1 / 501565C2, 4C4Z4612AA

Barra de Torsión 34562

Torque Rod A5

	Inch	mm
ID	1 3/4	44.45
LGC-C	25 3/8	644.53



Herramienta: Utiliza: 2
 Diagrama: Relacionado: 13521, 34563, 34563
 Modelo: Navistar Corporate Air
 Año: 2008-2010

OEM# 3580088C1

Kit Barra de Torsión 34563

Torque Rod Kit A3

	Inch	mm
LGC-C	25 3/8	644.53

Componentes

- 1 Pz. 34562 Barra de Torsión / 1 Qty. 34562 Torque Rod
- 2 Pzs. 13521 Buje para Barra de Torsión / 2 Qty. 13521 Torque Rod Bushing



Herramienta: Utiliza: 2
 Diagrama: Relacionado: 34562, 13521, 13521
 Modelo: Navistar Corporate Air
 Año: 2008-2010

OEM# 3580088C1

Buje para Amortiguador 34585

Shock Absorber Bushing B

	Inch	mm
ID	5/8	15.88
OD	1 5/8	41.28
LG	2 5/32	54.77



Herramienta: Utiliza: 2
 Diagrama: Relacionado:
 Modelo: 8600 / 9100 / 9200 / 9400 / 9900 / Prostar ES / Lonestar
 Año: 2014-Actual

OEM# 100800006, 3606857C2

Buje para Barra de Torsión 34586

Torque Rod Bushing B

	Inch	mm
ID	3/4	19.05
OD	2 1/32	51.59
LG	4 1/4	107



Herramienta: Utiliza: 4
 Diagrama: Relacionado: 34585
 Modelo: Prostar
 Año:

OEM#

Buje para Barra Estabilizadora 34591

Sway Bar Bushing A2

	Inch	mm
OD	2 1/8	53.98
HO	21/32	16.67
LGC-C	5 3/4	146.05



Herramienta: Utiliza: 2
 Diagrama: Relacionado: 34592
 Modelo: Navistar
 Año:

OEM# 3820005C2

Buje para Barra Estabilizadora Sway Bar Bushing

34592

(N) A2

	Inch	mm
OD	2 1/8	53.98
HO	5/8	15.88
LG C-C	4 3/8	111.13



Herramienta: Utiliza: 2
Diagrama: Relacionado: 34591
Modelo: Navistar
Año:

OEM# 380006C2

Soporte para Radiador Radiator Mount

18063

(✓) A3

	Inch	mm
ID	1/2	12.70
OD	1 19/32	40.48
LG	3/4	19.05
OD <	13/16	20.64



Herramienta: Utiliza: 4
Diagrama: Relacionado:
Modelo:
Año:

OEM# 270203C1 / R307644 / 329-119U / PL 1114

Soporte para Radiador Radiator Mount

34545

(✓) A3

	Inch	mm
ID	17/32	13.49
OD	2 3/16	55.56
LG	1 1/8	28.58
OD <	1 7/32	30.96



Componentes

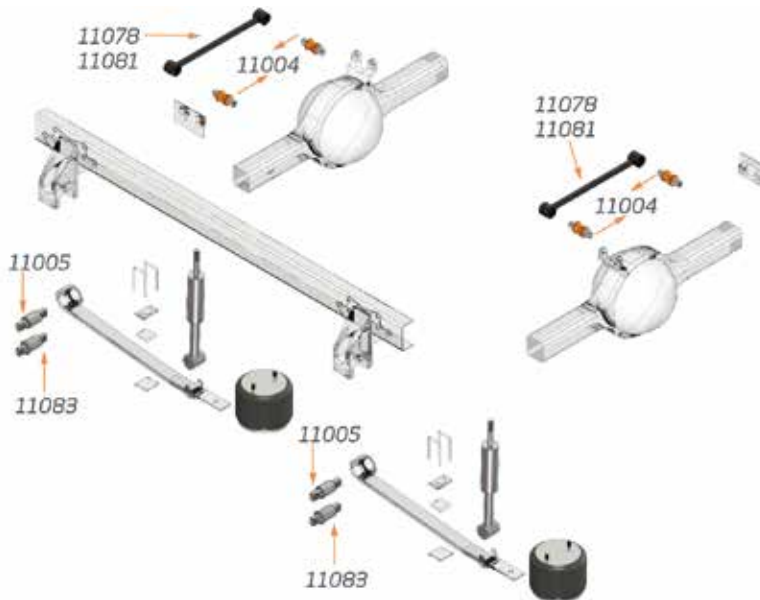
1 Pz. Soporte Superior para Radiador / 1 Qty. Upper Radiator Mount
1 Pz. Soporte Inferior para Radiador / 1 Qty. Lower Radiator Mount

Herramienta: Utiliza: 4
Diagrama: Relacionado: 18063
Modelo: 9200
Año: 2007

OEM# 3560-217-C / 3560-217-C1 / 3560-217-C2 / 35060217C3, S-23582

Air Liner II de 46,000 Lbs

DG012

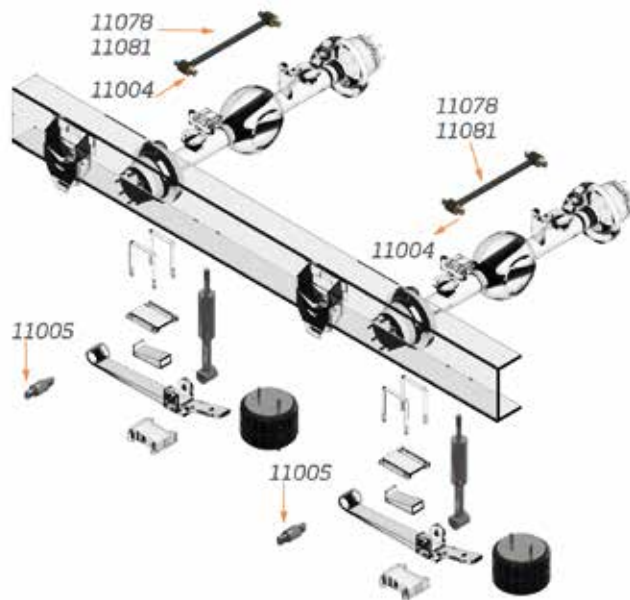


Códigos GAFF

11004, 11005, 11078, 11081, 11083

Air liner II Fast II de 38,000 a 40,000 Lb

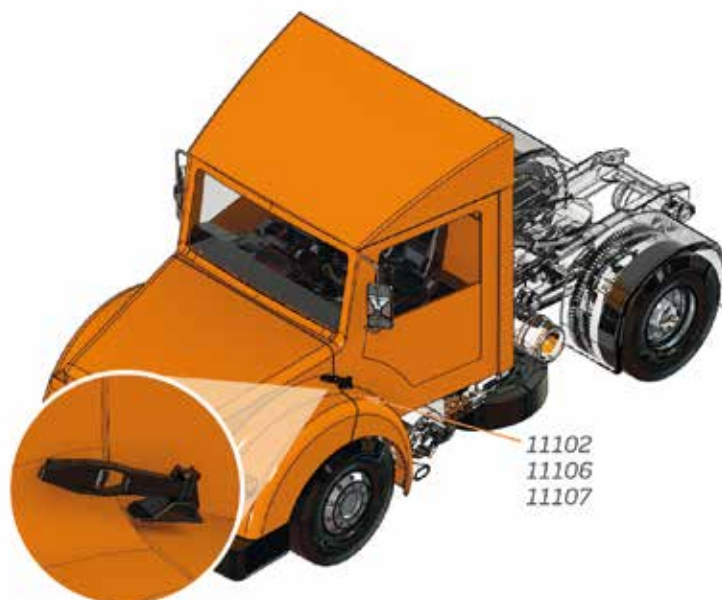
DG013



Códigos GAFF 11004, 11005, 11078, 11081

Hood Hook Century

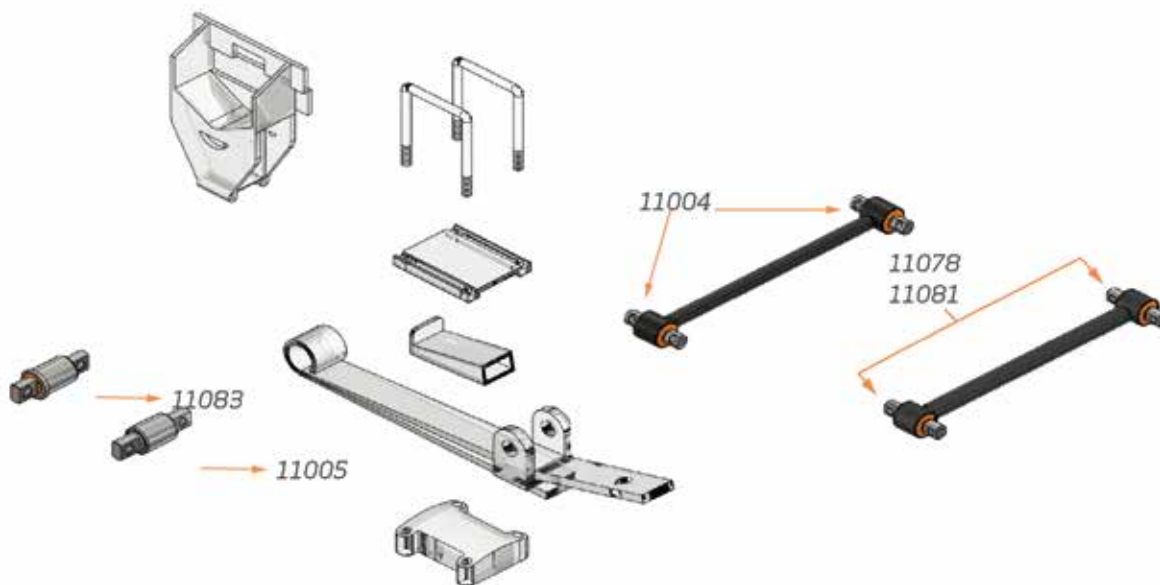
DG014



Códigos GAFF 11102, 11106, 11107

Fast II

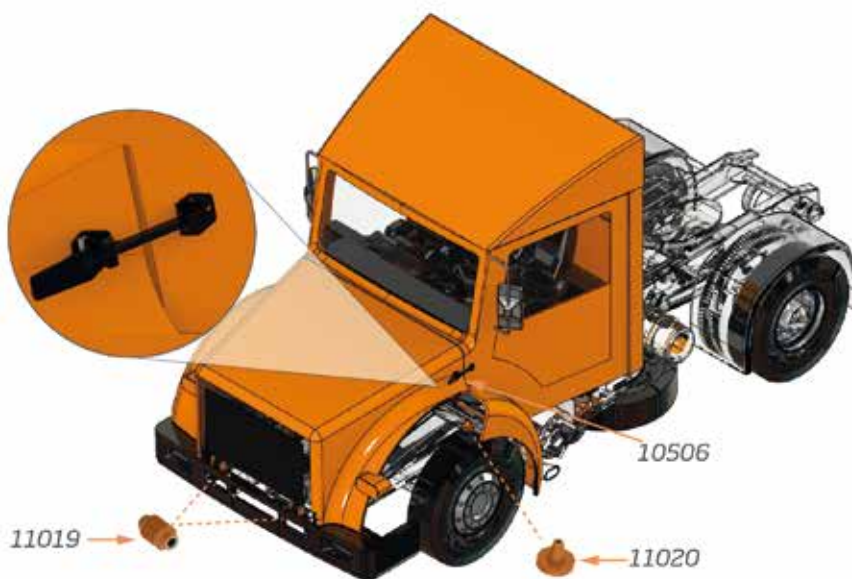
DG015



Códigos GAFF 11004, 11005, 11078, 11081, 11083

Hood Rest

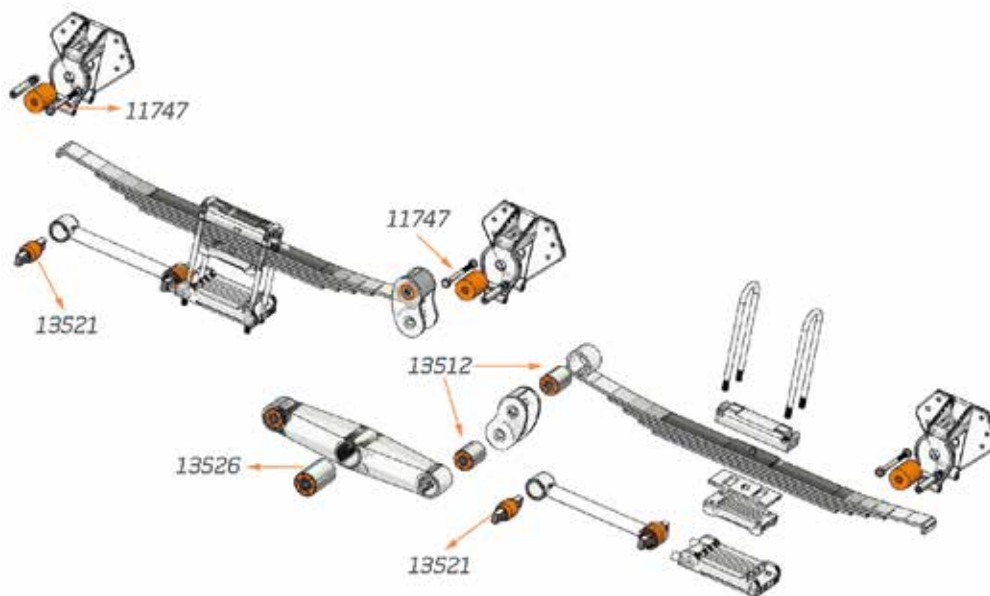
DG018



Códigos GAFF 10506, 11019, 11020

Serie E4-360 / 400

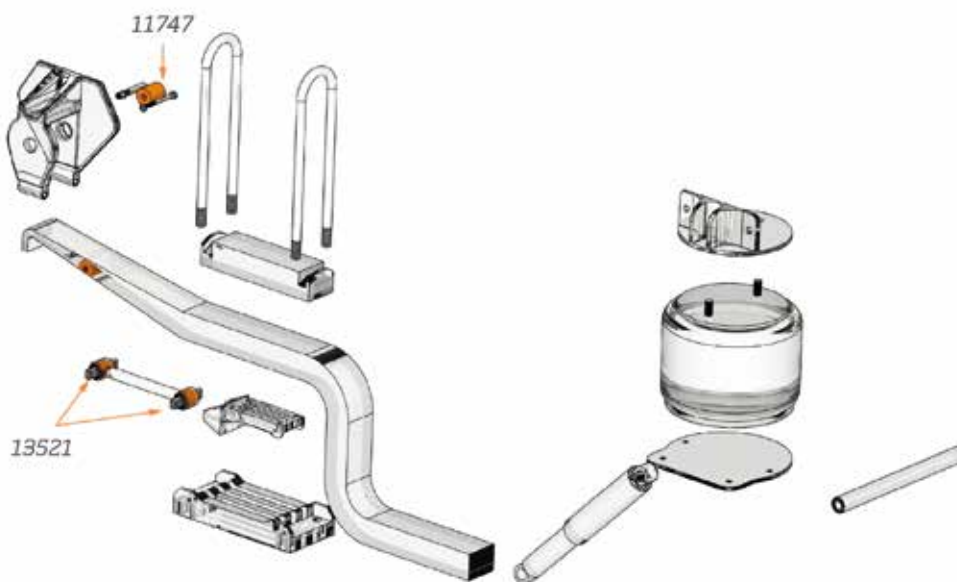
DG040



Códigos GAFF 11747, 13512, 13521, 13526

HA-360 / 400 / 460

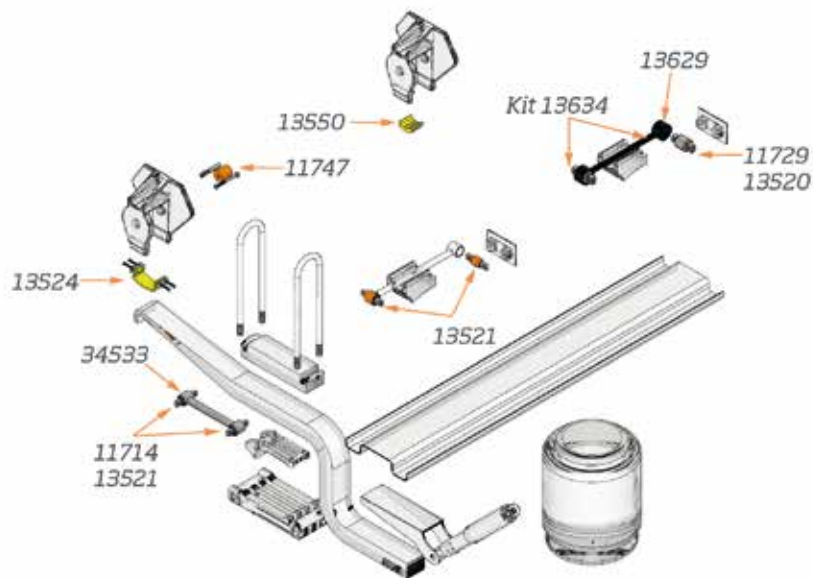
DG041



Códigos GAFF 11747, 13521

HAS 360 / 400 / 402 / 460

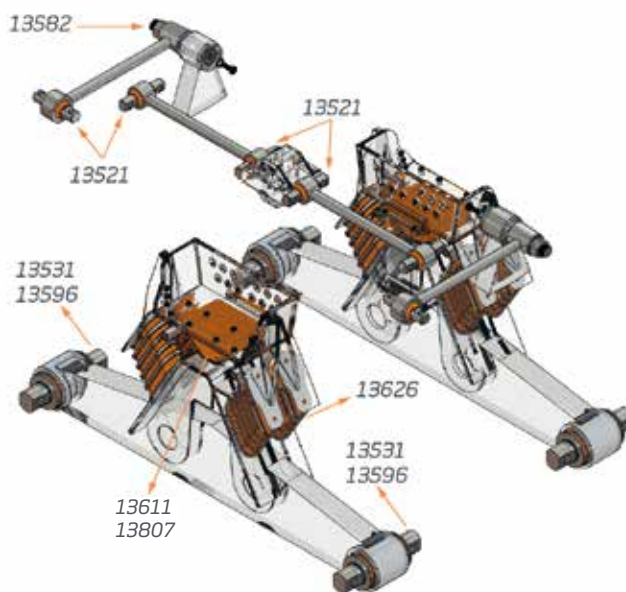
DG042



Códigos GAFF 11714, 11729, 11747, 13520, 13521, 13524, 34533, 13550, 13629, 13634

Haulmaax

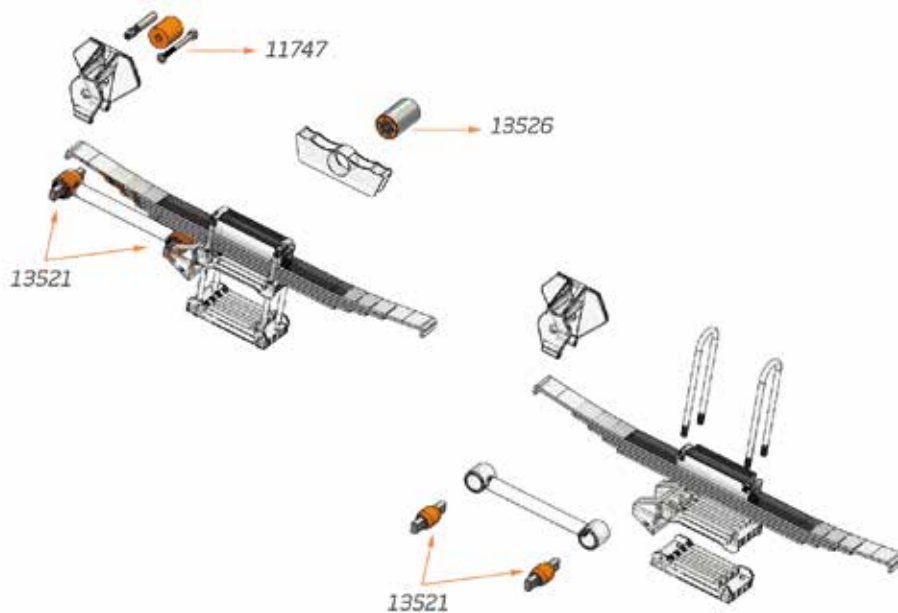
DG043



Códigos GAFF 13521, 13531, 13582, 13596, 13611, 13626, 13807

Series HFS-360 / 400

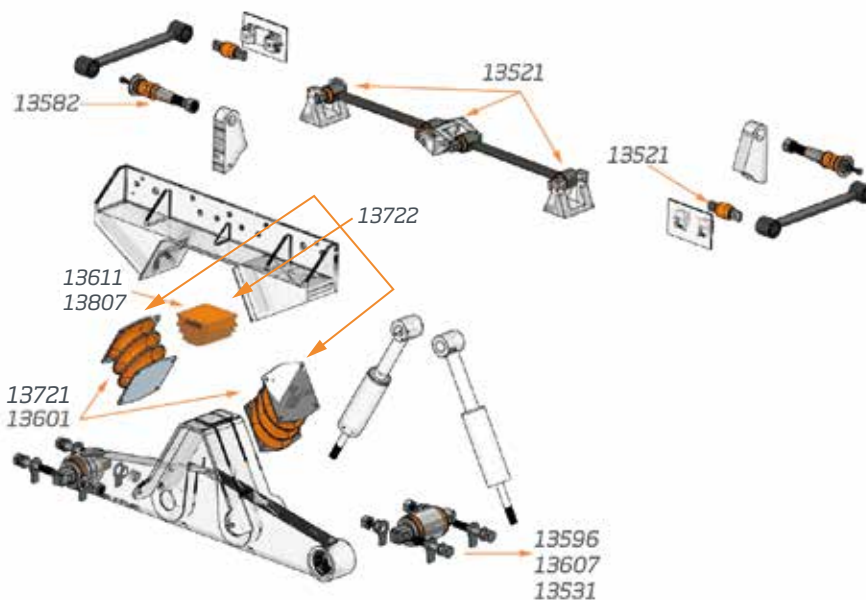
DG044



Códigos GAFF 11747, 13521, 13526

Series HN-402 / 460 / 462 / 522

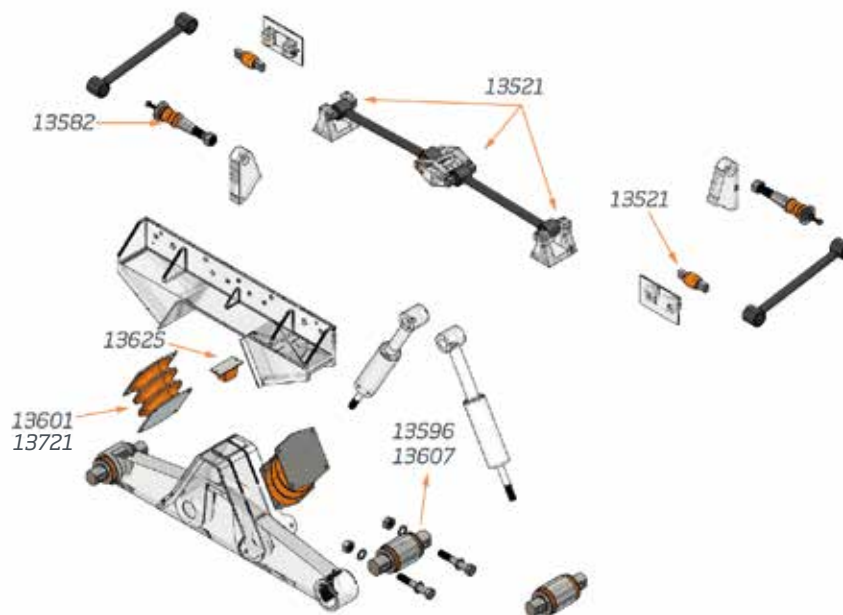
DG045



Códigos GAFF 13521, 13531, 13582, 13596, 13601, 13607, 13611, 13721, 13722, 13807

Series HN-402 / 462

DG046

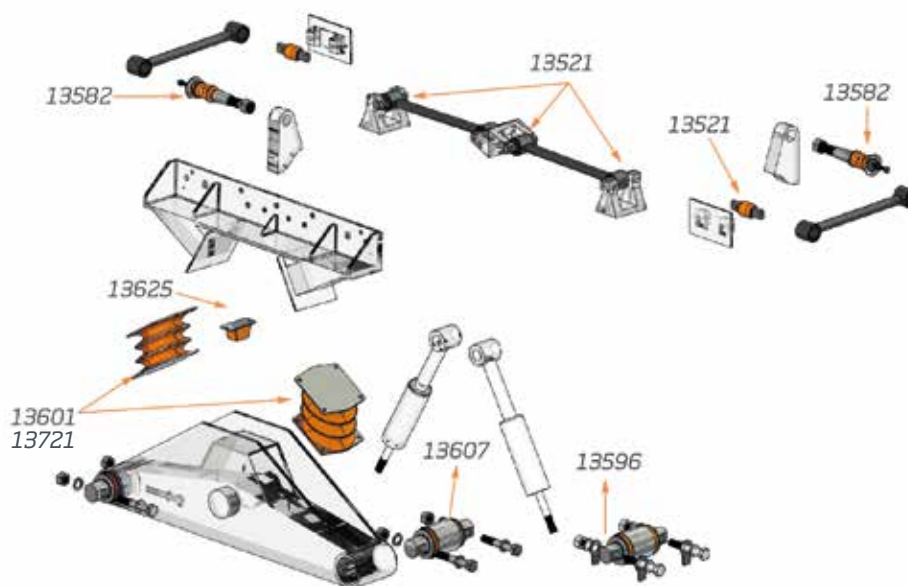


Códigos GAFF

13521, 13582, 13596, 13601, 13607, 13625, 13721

Series HN-460

DG047

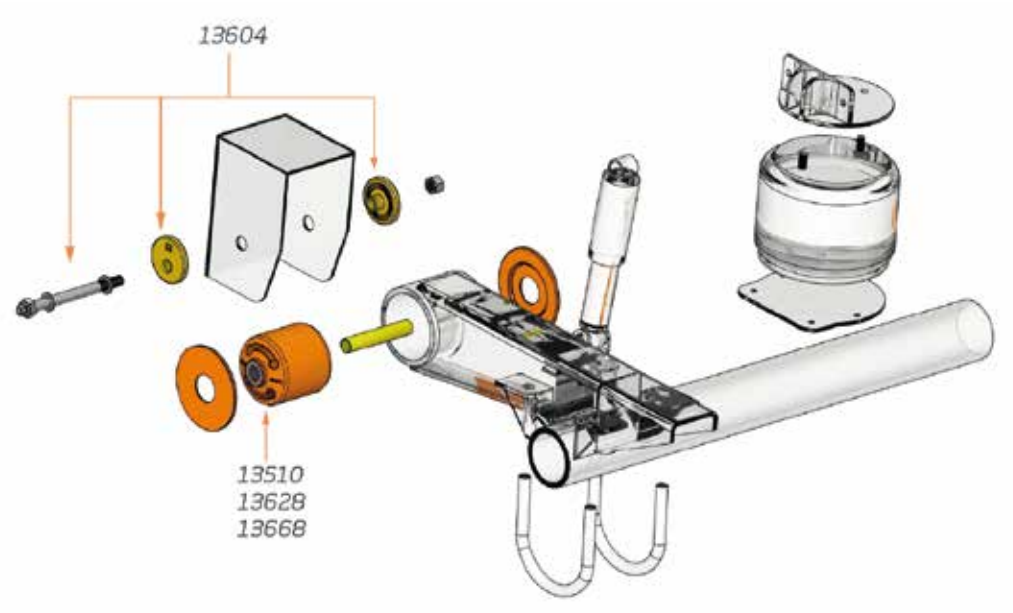


Códigos GAFF

13521, 13582, 13596, 13601, 13607, 13625, 13721

HT-300

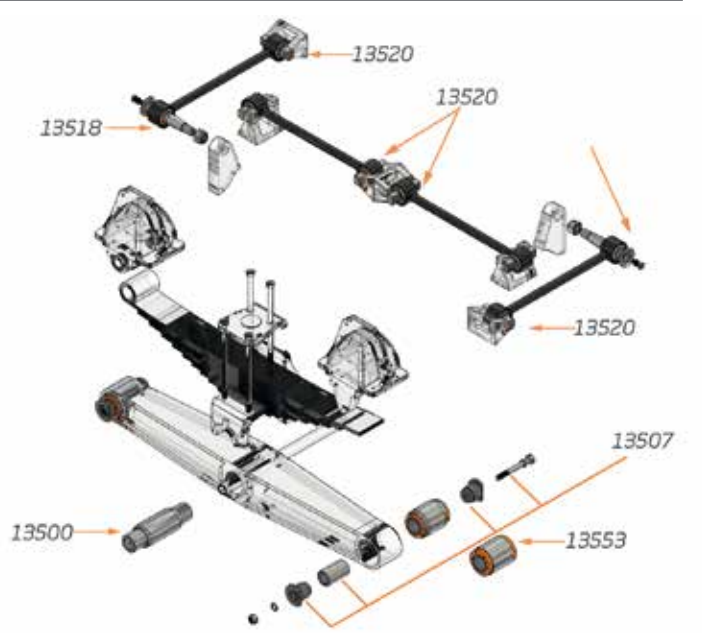
DG049



Códigos GAFF 13510, 13604, 13668, 13628

Serie RT 650

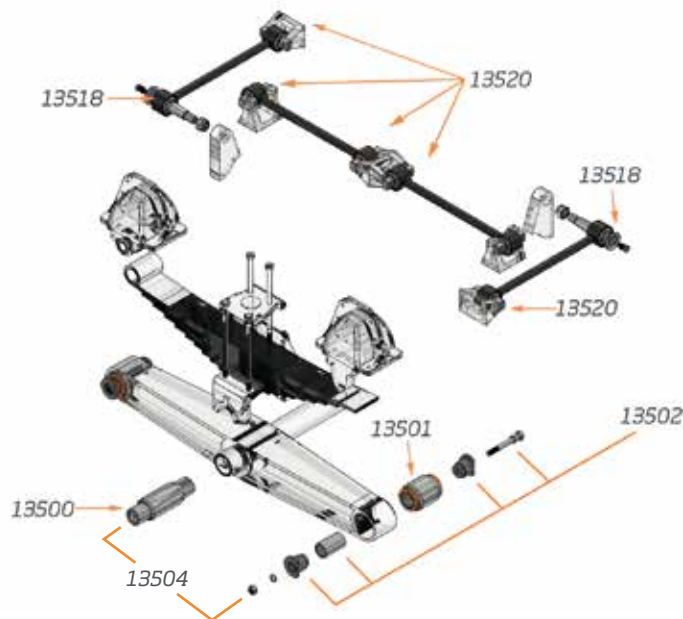
DG050



Códigos GAFF 13500, 13507, 13518, 13520, 13553

Serie RT-340

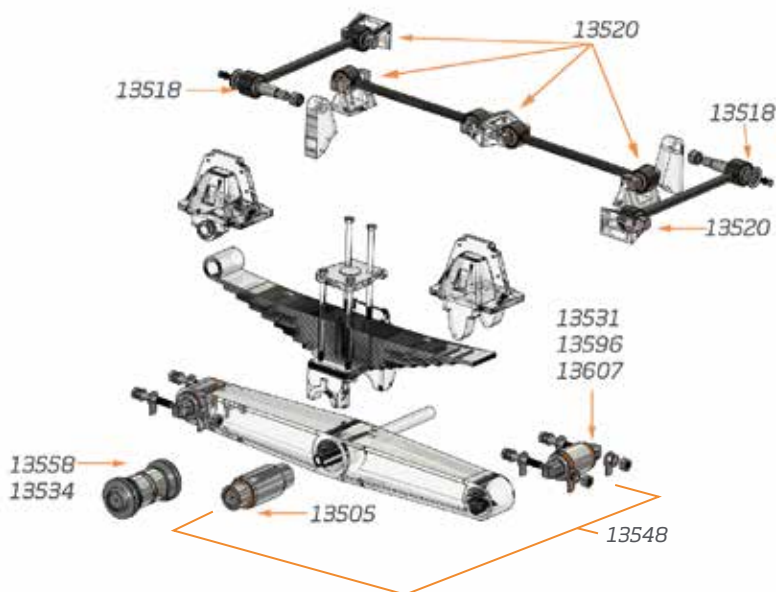
DG053



Códigos GAFF 13500, 13501, 13502, 13504,
13518, 13520

Series RT / RTE 400 / 403 / 460 / 463

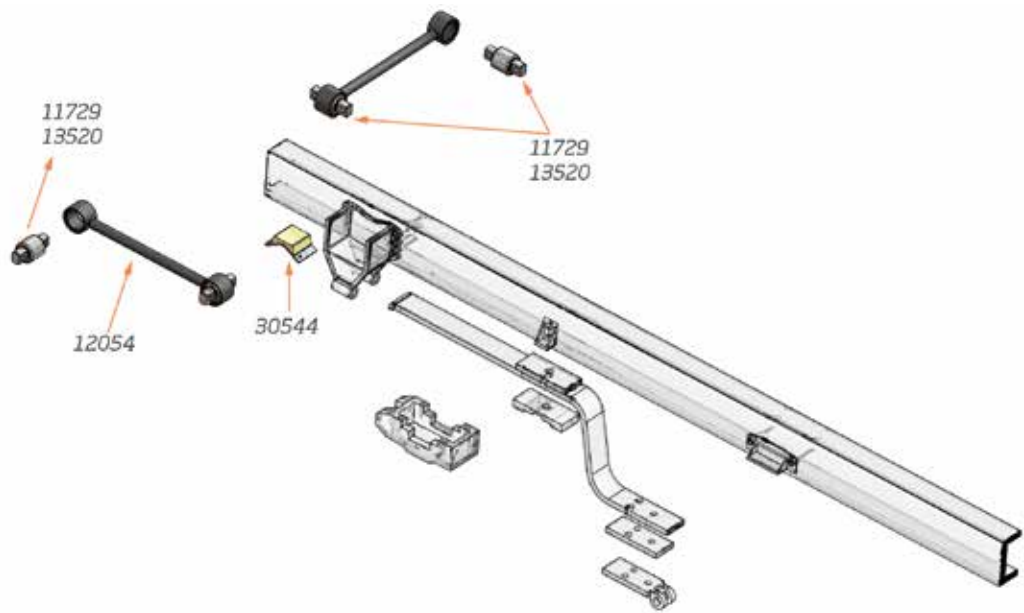
DG054



Códigos GAFF 13505, 13518, 13520, 13531, 13534, 13548, 13558,
13596, 13607

Tandem Rear Axle

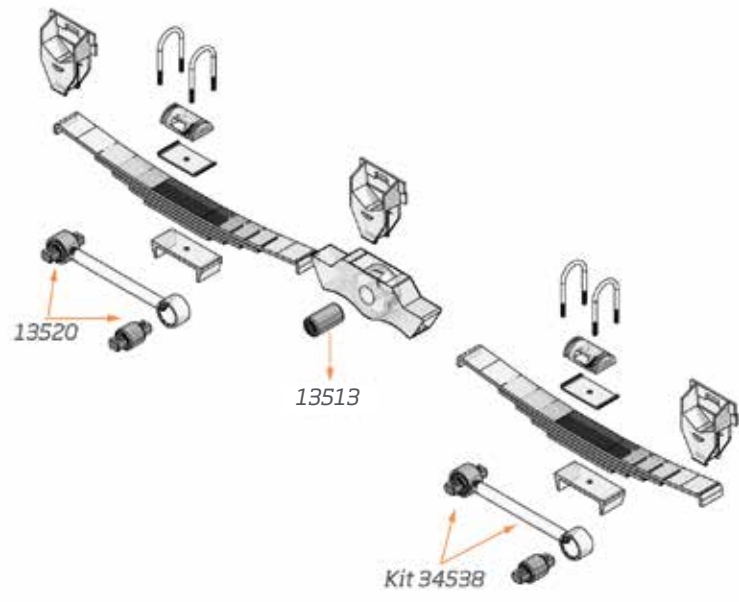
DG065



Códigos GAFF 11729, 12054, 13520, 30544

Drive Axle Truck

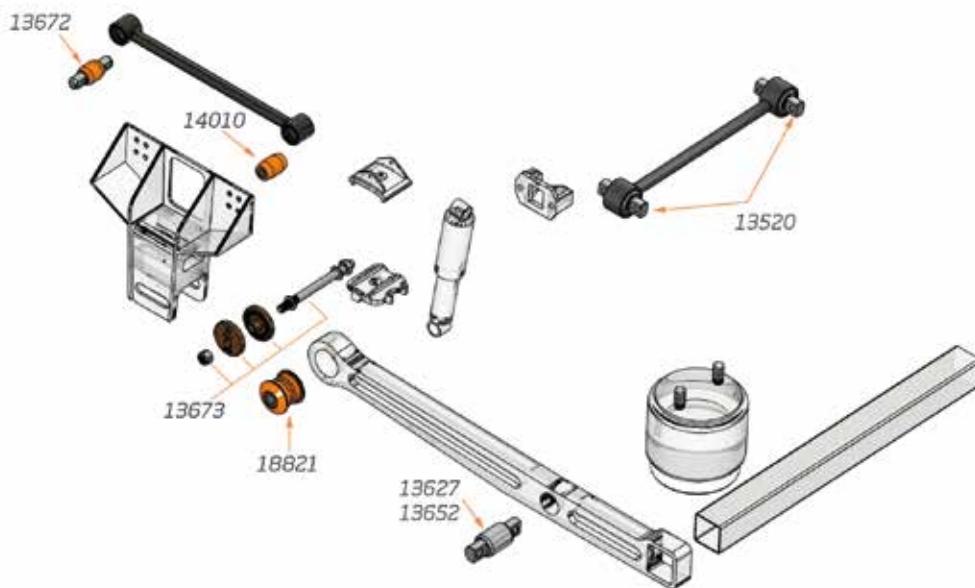
DG066



Códigos GAFF 13513, 13520

Primaax 230 / 460 / 690 8 1/2" a 10"

DG068



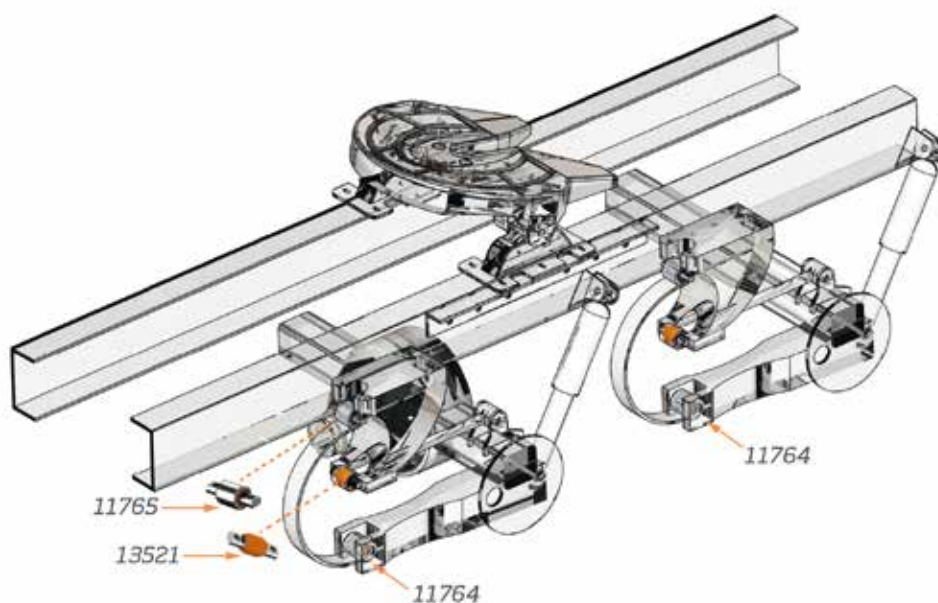
Códigos GAFF

18821

13520, 13627, 13652, 13672, 13673, 14010,

Serie Airglide 380

DG069

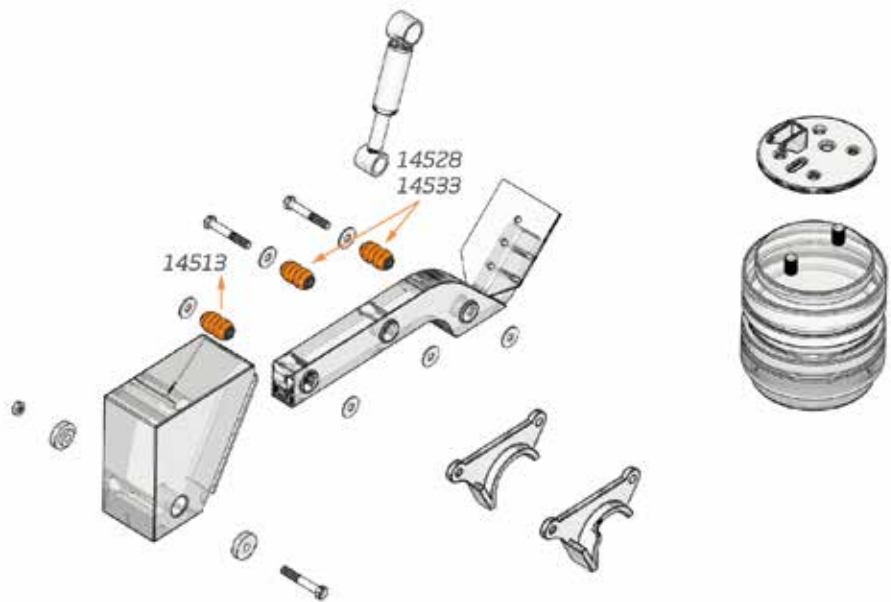


Códigos GAFF

11764, 11765, 13521

RL-196 A

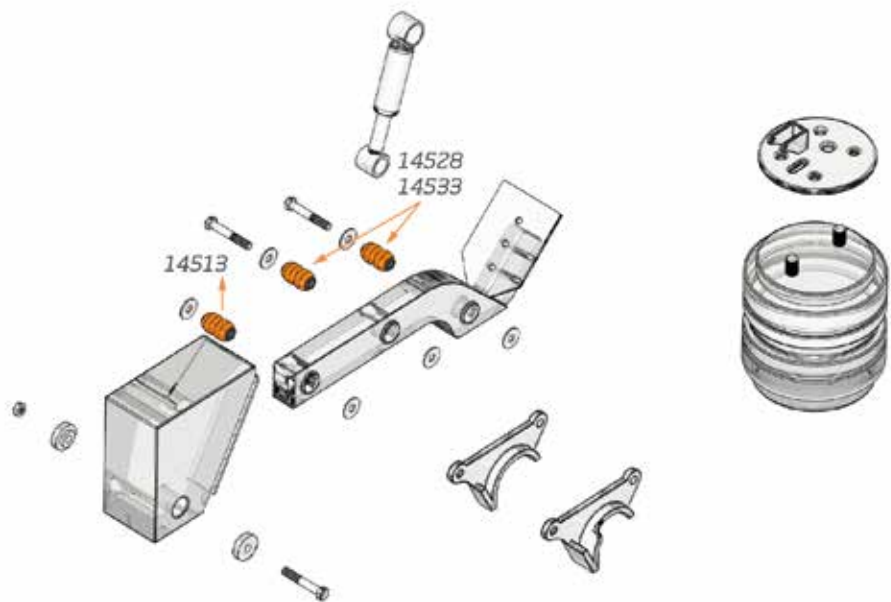
DG080



Códigos GAFF 14513, 14528, 14533

RL-228-14 / 15 / 16 / 17

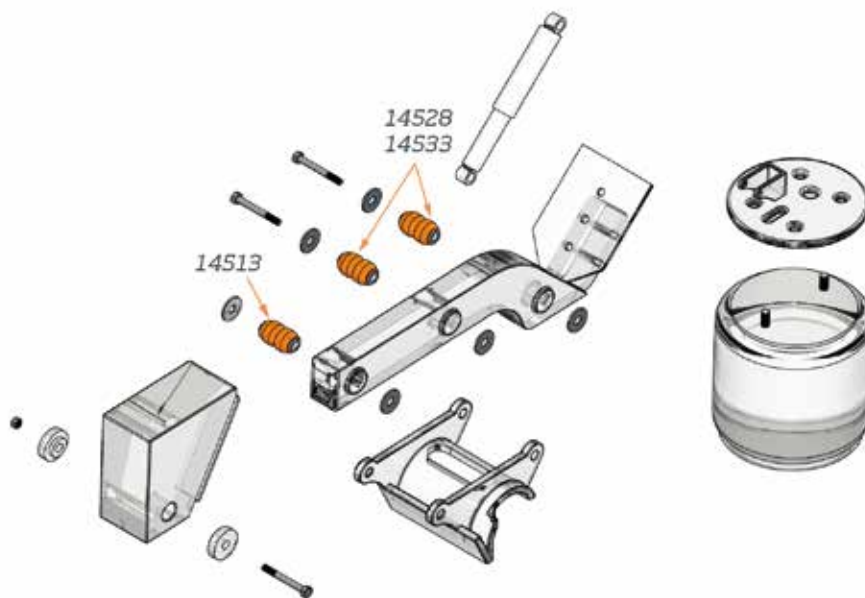
DG081



Códigos GAFF 14513, 14528, 14533

AR-92-12 / AR-92-14 / AR-92-15 / AR-92-16 / AR-92-17 /
AR-92-18 / AR-93/AR-14 / AR-1 / AR-16 / AR-17

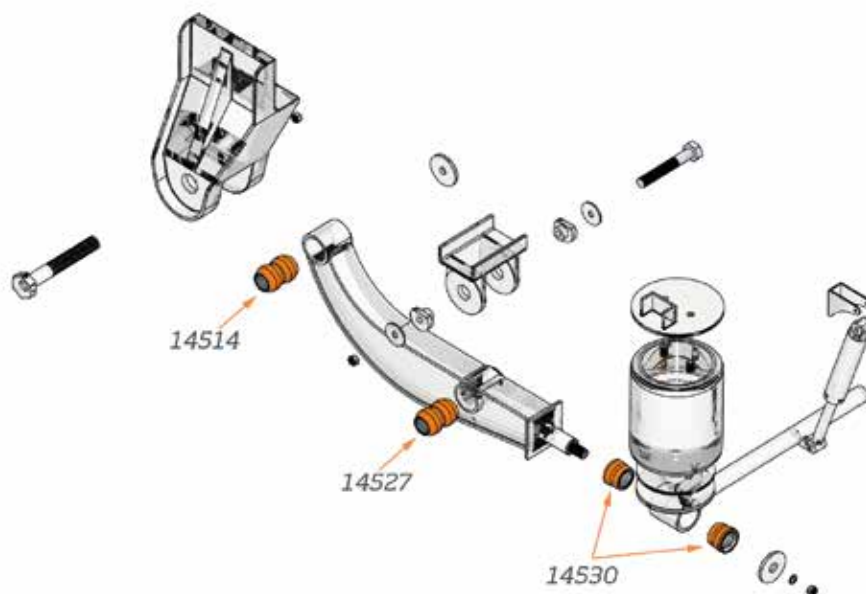
DG088



Códigos GAFF 14513, 14528, 14533

ARD-125-6 / ARD-244-6

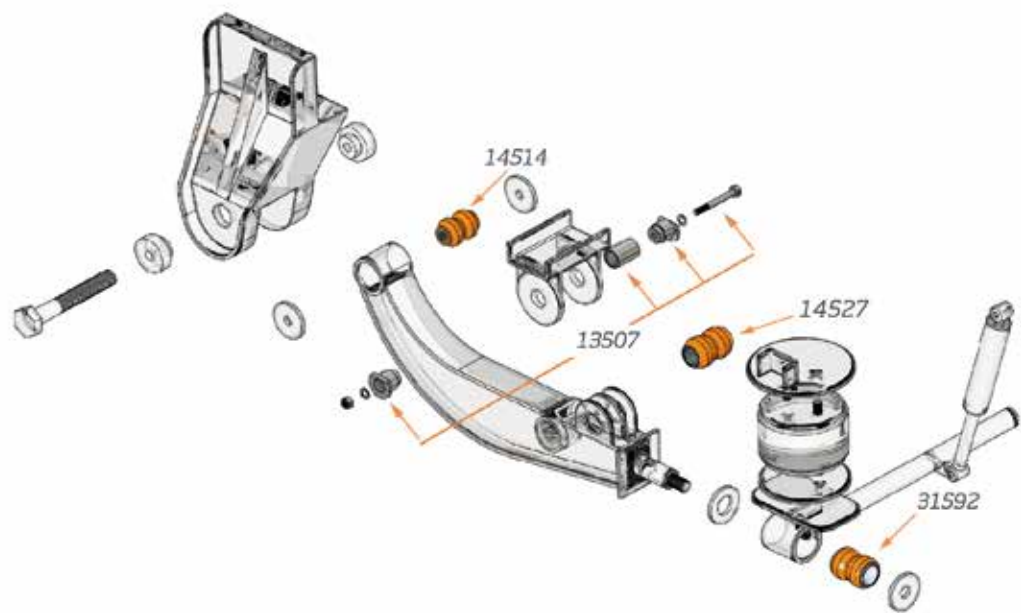
DG091



Códigos GAFF 14514, 14527, 14530

Series ARDST / ARDSTM / 123-6 / 244-6 / 246-6

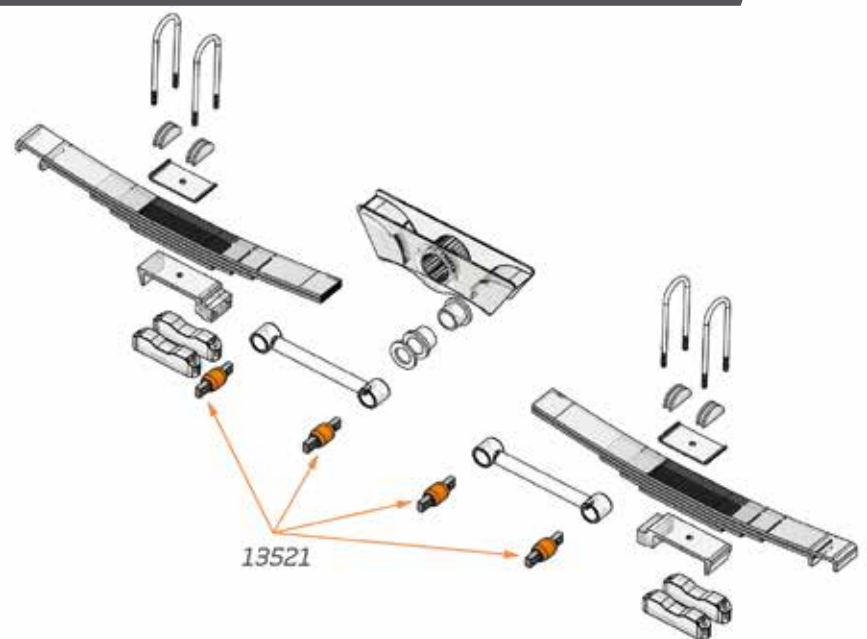
DG093



Códigos GAFF 13507, 14514, 14527, 31592

4 Muelles

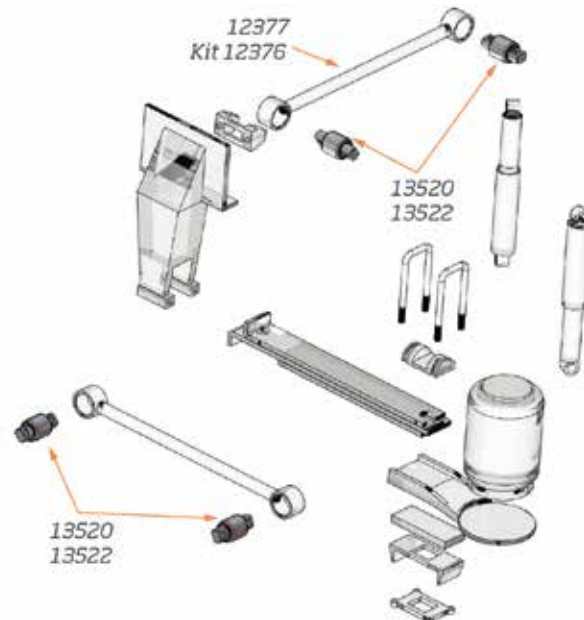
DG096



Códigos GAFF 13521

Air Trac Single

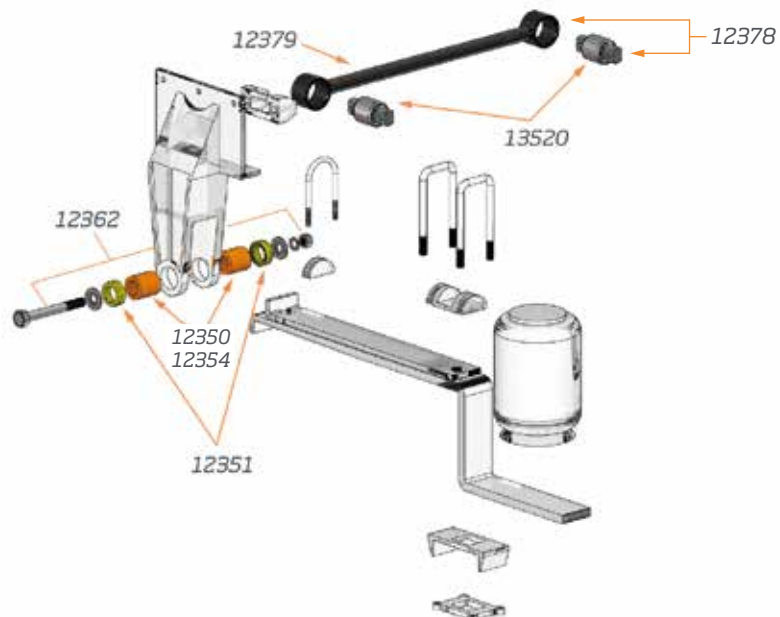
DG098



Códigos GAFF 12376, 12377, 13520, 13522

Low Air Leaf

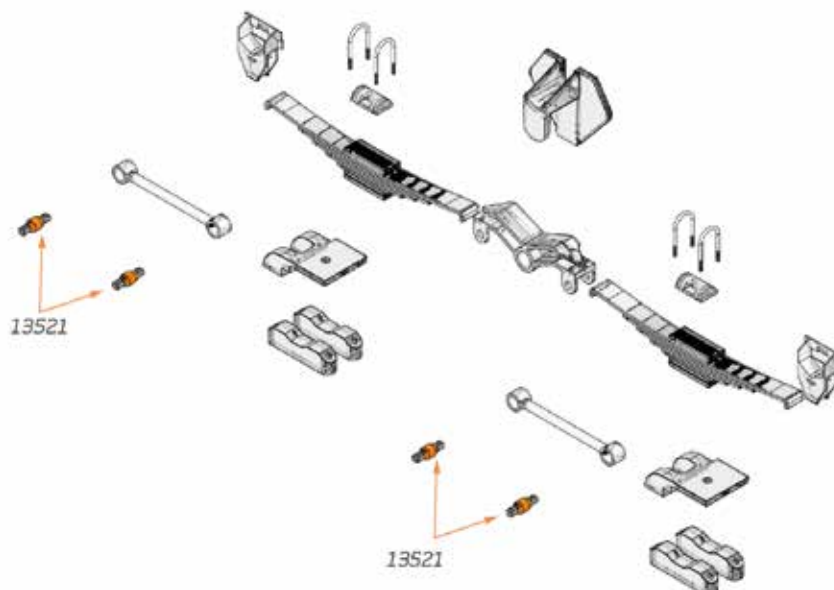
DG099



Códigos GAFF 12350, 12351, 12354, 12362, 12378, 12379, 13520

Quadraflex

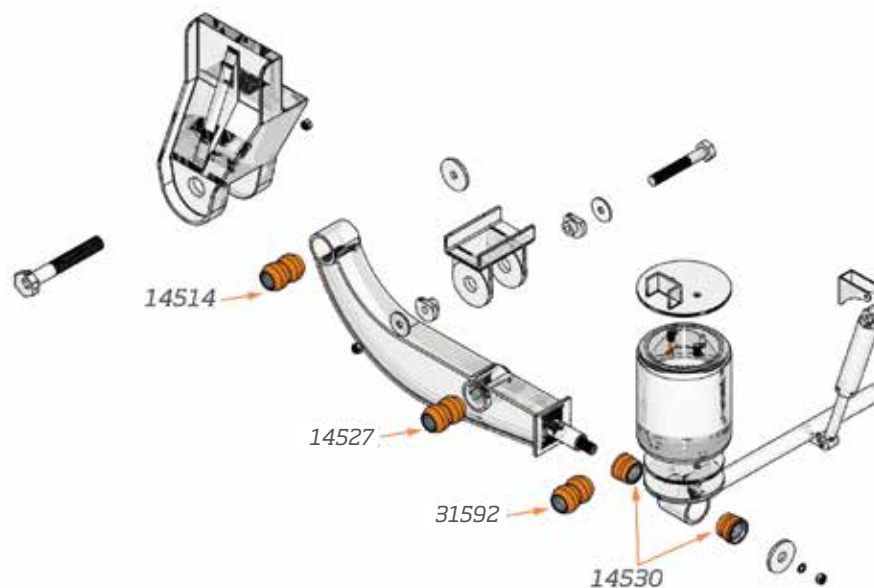
DG100



Códigos GAFF 13521

ARD-125-6 / ARD-244-6

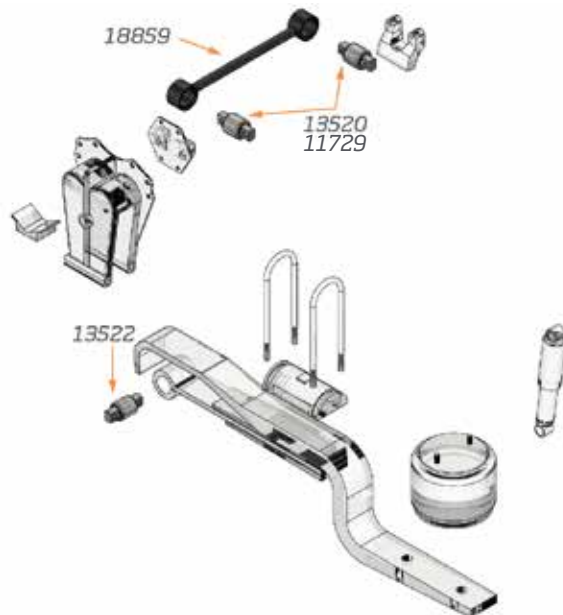
DG101



Códigos GAFF 14514, 14527, 14530, 31592

Air Ride

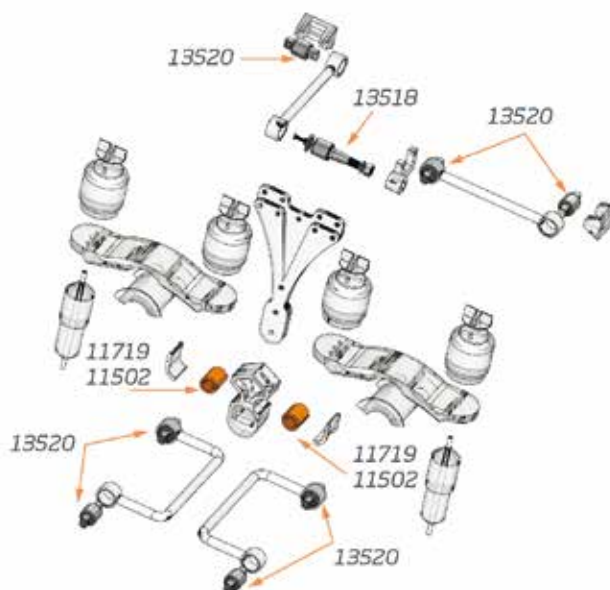
DG128



Códigos GAFF 11729, 13520, 13522, 18859

Serie Airglide 100

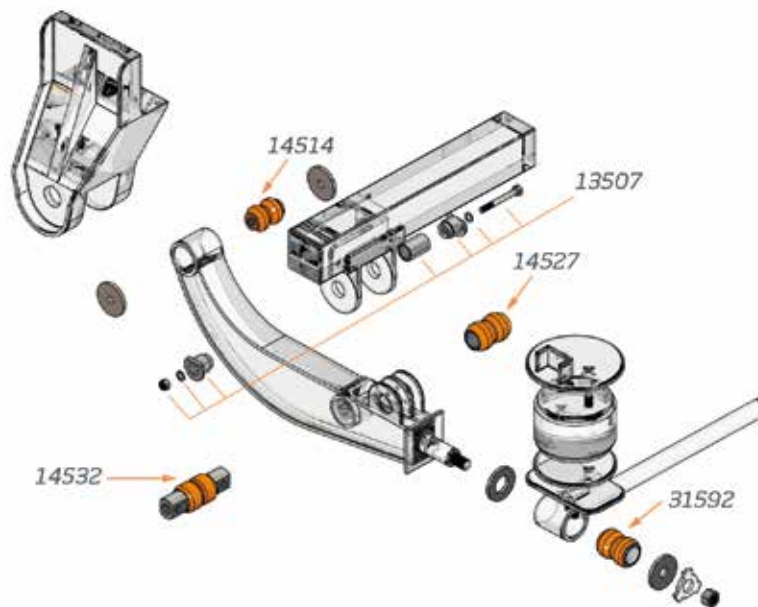
DG134



Códigos GAFF 11502, 11719, 13518, 13520

Series AD-123 / 246-6 / 5 / 7 / 8 / 10

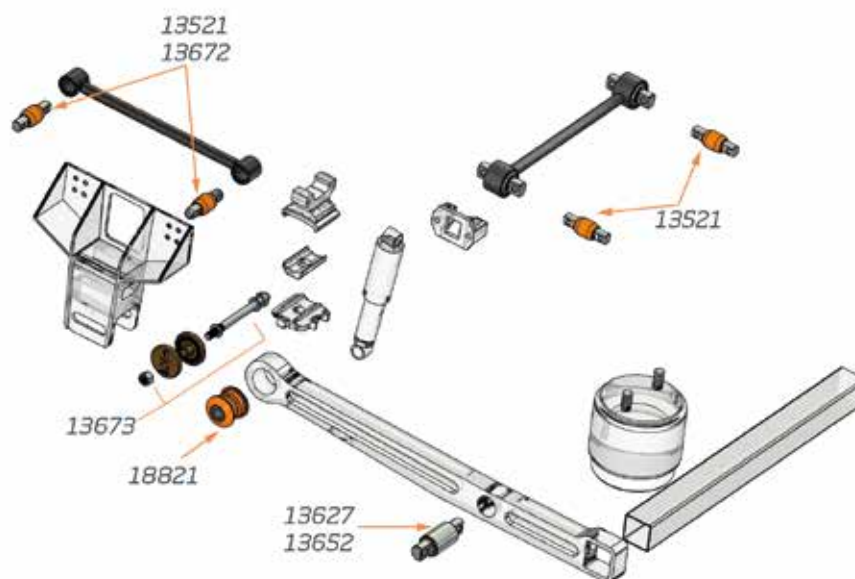
DG135



Códigos GAFF 13507, 14514, 14527, 14532, 31592

Primaax EX 262/522/782,
Firemax EX 272/542 8 1/2" 10"

DG138



Códigos GAFF 13521, 13627, 13652, 13672, 13673, 18821

Buje para Quinta Rueda Fifth Wheel Bushing

11604



	Inch	mm
ID	1 31/32	50.01
OD	2 3/4	69.85
LG	4	101.60



Componentes

- 1 Pz. Buje Interior / 1 Qty. Internal Bushing
- 1 Pz. Buje Exterior / 1 Qty. External Bushing

Herramienta: Utiliza: 2
 Diagrama: Relacionado: 11515
 Modelo:
 Año:

OEM# SK2905-95,
SK2905-95, QR-46

Quinta Rueda

Kenworth

*Soporte para Cabina Cab Mount

11520



	Inch	mm
ID	5/8	15.88
OD	2 7/8	73.03
LG	1 5/16	33.34
OD<	1 27/32	46.83



Herramienta: Utiliza: 8
 Diagrama: Relacionado: 11519,
11523, 11523, 11551,
11552
 Modelo: W-900
 Año:

OEM# K066-228, K066-
228601, M601-70NR,
J7165-1, 07-03286,
703286, 04-9009996

*Soporte para Cabina Cab Mount

11525



	Inch	mm
ID	5/8	15.88
OD	2 7/8	73.03
LG	1 1/4	31.75
OD<	1 1/2	38.10



Herramienta: Utiliza: 4
 Diagrama: Relacionado: 11519
 Modelo: T600 / T800
 Año:

OEM#

Cabina

*Soporte para Cabina Cab Mount

11527



	Inch	mm
ID	5/8	15.88
OD	2 19/32	65.88
LG	2 1/16	52.39
OD<	1 9/16	39.69



Herramienta: Utiliza: 4
 Diagrama: Relacionado: 11529,
11612, 11705, 11707,
11742
 Modelo: T800
 Año:

OEM# K066-177, 05-08968

*Soporte para Cabina Cab Mount

11529



	Inch	mm
ID	29/32	23.02
OD	2 7/16	61.91
LG	1 7/8	47.63
OD<	1 9/16	39.69



Herramienta: Utiliza: 4
 Diagrama: Relacionado: 11536
 Modelo: T600 / T800
 Año:

OEM#

***Soporte para Cabina** **11530**
Cab Mount ✓ A2

	Inch	mm
ID	5/8	15.88
OD	2 19/32	65.88
LG	2 1/8	53.98
OD<	1 1/2	38.10



Herramienta: Utiliza: 4
 Diagrama: Relacionado: 11531, 11548, 11548
 Modelo: T800
 Año:

OEM# K066177, M-500-70NR, 753997C93, J6210-49, J6210-41, 753997C93, 753997C92, 753997C91

Soporte para Cabina **11533**
Cab Mount ✓ A2

	Inch	mm
ID	5/8	15.88
OD	3	76.20
LG	1 15/16	49.21
OD<	1 13/16	46.04



Herramienta: Utiliza: 4
 Diagrama: Relacionado: 11527, 11531, 11531, 11612, 11705, 11707, 11742, 18938, 18949
 Modelo:
 Año:

OEM# K066-336, M602-70NR, 04-9009990

Soporte para Cabina **11551**
Cab Mount ✓ A2

	Inch	mm
ID	5/8	15.88
OD	2 7/8	73.03
LG	15/16	23.81



Herramienta: Utiliza: 4
 Diagrama: Relacionado: 11519, 11520, 11520, 11525, 11552
 Modelo:
 Año:

OEM#

***Soporte para Cabina** **11552**
Cab Mount ✳ B

	Inch	mm
ID	5/8	15.88
OD	2 7/8	73.03
LG	1	25.40



Herramienta: Utiliza: 2
 Diagrama: Relacionado: 11551
 Modelo: T600 / T800
 Año:

OEM#

Soporte para Cabina y Camarote **11566**
Cab & Cabin Mount ✓ A3

	Inch	mm
ID	5/8	15.88
OD	2 7/8	73.03
LG	7/8	22.23



Herramienta: Utiliza: 4
 Diagrama: Relacionado: 11520, 11523, 11523
 Modelo:
 Año:

OEM#

Soporte para Cabina **11612**
Cab Mount ✓ A3

	Inch	mm
ID	5/8	15.88
OD	2 19/32	65.88
LG	2 1/16	52.39
OD<	1 9/16	39.69



Herramienta: Utiliza: 4
 Diagrama: Relacionado: 11527, 11531, 11531, 11533, 11705, 11707, 11742, 18938, 18949
 Modelo:
 Año:

OEM# K066-177, M50070NR, K066-229

Soporte para Cabina **11705**
Cab Mount ✓ A3

	Inch	mm
ID	5/8	15.88
OD	3	76.20
LG	2 3/8	60.33
OD<	1 13/16	46.04



Herramienta: Utiliza: 4
 Diagrama: Relacionado: 11527, 11531, 11531, 11533, 11612, 11707, 11742, 34515, 34516, 34552
 Modelo: T800
 Año: 2005

OEM# K066-176, 05-14794

Soporte para Cabina **11707**
Cab Mount ✓ A4

	Inch	mm
ID	5/8	15.88
OD	2 1/2	63.50
LG	2	50.80
OD<	1 19/32	40.48



Herramienta: Utiliza: 4
 Diagrama: Relacionado: 11527, 11531, 11531, 11533, 11612, 11705, 11742, 18938, 18949
 Modelo: T800
 Año: 2005

OEM# M501, 05-08968

Soporte para Cabina

Cab Mount

11742



	Inch	mm
ID	1 1/2	38.10
LG	4 13/16	122.24
WD	3 3/16	80.96
H	2 3/16	55.56



Herramienta: Utiliza: 2
 Diagrama: Relacionado: 11527, 11531, 11531, 11533, 11612, 11705, 11707, 18938, 18949
 Modelo: T800 Aerocab / T600 Aerocab
 Año:

OEM# 26509-11

Soporte para Cabina

Cab Mount

18938



	Inch	mm
ID	5/8	15.88
OD	3	76.20
LG	3 7/16	87.31
OD<	1 17/32	38.89



Herramienta: Utiliza: 2
 Diagrama: Relacionado: 11527, 11531, 11531, 11533, 11612, 11705, 11707, 11742, 18949
 Modelo: T800 Aerocab / T600 Aerocab
 Año:

OEM# K066-435-3

Soporte para Cabina

Cab Mount

18949



	Inch	mm
ID	11/16	17.46
LG	6 7/32	157.96
WD	2 1/4	57.15
H	3 19/32	91.28
LG C-C	4 17/32	115.09
THR	M16 X 1.5	



Herramienta: Utiliza: 2
 Diagrama: Relacionado: 11527, 11531, 11531, 11533, 11612, 11705, 11707, 11742, 18938
 Modelo: T-2000
 Año:

OEM# 26732-2

Gancho para Cofre

Hood Latch

11134



	Inch	mm
LG	9 1/16	230.19
WD	2 1/8	53.98
TK	3/4	19.05



Herramienta: Utiliza: 2
 Diagrama: Relacionado: 11109, 12365, 12365
 Modelo: T800 / T600
 Año: 2011

OEM# 17-12438-000, 680-880-01-60, L560001, L56-0001, HLK1035, 1304339, 13-04339

Gancho para Cofre

Hood Latch

11543



	Inch	mm
LG	9 3/32	230.98



Herramienta: Utiliza: 2
 Diagrama: Relacionado: 11545, 11109, 11109, 11134
 Modelo: C500 / K100 / T300 / T400 / T600 / T800 / W900
 Año:

OEM# K147 107, K147C106

Buje para Bisagra de Cofre

Hood Hinge Bushing

11544



	Inch	mm
ID	17/32	13.49
OD	1 3/4	44.45
LG	1 1/4	31.75
OD<	1 1/4	31.75



Herramienta: Utiliza: 2
 Diagrama: Relacionado: 11557, 11709, 11709
 Modelo:
 Año:

OEM# CB1121-10, K066-B-218, M300-70NR, CB1121-10

Guía para Cofre

Hood Pin

11545



	Inch	mm
OD	3 3/16	80.96
LG	3 7/8	98.43
OD<	1 1/2	38.10
THD	1/2-13 UNC	



Herramienta: Utiliza: 2
 Diagrama: Relacionado: 11109, 11134, 11543, 11768
 Modelo: T800 / T600
 Año: 2002

OEM# K176-8-6344, K17686344, K179-528, K149-450, R307467, 25QM31

Base de Guía para Cofre

Hood Latch Assembly

11547



	Inch	mm
LG	8 5/8	219.08
WD	3	76.20
HO	1/2	12.70
TK	3/8	9.53



Herramienta: Utiliza: 2
 Diagrama: Relacionado: 11545
 Modelo: T800 / T600
 Año: 2005

OEM# K350-1887

Cabina

Cofre

Cofre

Buje para Bisagra de Cofre Hood Hinge Bushing

11557



A2

	Inch	mm
ID	1/2	12.70
OD	1 3/4	44.45
LG	1 5/16	33.34
OD<	1 1/8	28.58



Herramienta: Utiliza: 2
Diagrama: Relacionado: 11544, 11709, 11709
Modelo: Año:

OEM# M300-70NR

Buje para Bisagra de Cofre Hood Hinge Bushing

11709



A2

	Inch	mm
ID	17/32	13.49
OD	1 3/4	44.45
LG	1 3/8	34.93
OD<	1 5/32	29.37



Herramienta: Utiliza: 2
Diagrama: Relacionado: 11544, 11557, 11557
Modelo: Año:

OEM# K066-218

Gancho para Cofre Hood Latch

11768



A1

	Inch	mm
LG	10 3/4	273.05



Herramienta: Utiliza: 2
Diagrama: Relacionado: 11545, 11543, 11543, 11134, 12088
Modelo: T660 / T370- T300 / MACK, CH, CHN, CXN, CV y RH
Año:

OEM# 3799344, 374129560, HLK1015

Buje para Cofre Hood Roller

11805



B

	Inch	mm
ID	11/16	17.46
OD	1 1/8	28.58
LG	1 1/2	38.10



Herramienta: Utiliza: 2
Diagrama: Relacionado: 12359, 12363, 12363, 12367, 12370
Modelo: W900B / W900L / T600 / T800.
Año:

OEM# K066-360, 13-04391

Gancho para Cofre Hood Latch

11832



A2

	Inch	mm
LG	5 29/32	150.02
WD	1 31/32	50.01
H	2 1/8	53.98



Herramienta: Utiliza: 2
Diagrama: Relacionado: 11768, 11821, 11821, 11819
Modelo: T660
Año: 2013

OEM# L56-1027, L56-6027

Guía para Cofre Support Hood Bumper

11848



A2

	Inch	mm
LG	5 3/32	129.38
WD	3 11/16	93.66
H	2 5/16	58.74



Herramienta: Utiliza: 2
Diagrama: Relacionado: 11134, 11109, 11109
Modelo: T680 / T880
Año: 2014-2019

OEM# L85-6081

Gancho para Cofre Hood Latch

12365



A2

	Inch	mm
LG	8 7/8	225.43



Herramienta: Utiliza: 2
Diagrama: DG019 Relacionado: 11134, 11109, 11109
Modelo: M2
Año: 1987-2011

OEM# L56-0001

Empaque para Tapón de Tanque Diésel Fuel Tank Cap Gasket

11784



B

	Inch	mm
ID	2 7/32	56.36
OD	3 9/16	90.49
TK	5/32	3.97



Herramienta: Utiliza: 2
Diagrama: Relacionado:
Modelo: T800
Año: 2008

OEM# 12105GTD, 90-00334, S-21376

Empaque

Soporte para Escape Exhaust Mount

11809



	Inch	mm
ID	15/32	11.91
WD	2	50.80
HO	3/8	9.53
LG C-C	2 3/4	69.85



Herramienta: Utiliza: 1
Diagrama: Relacionado: 12357,
Modelo: T600 / T680 / 11810, 11810
T800 / W900
Año:

OEM#M13-1009

Soporte para Escape Exhaust Mount Pin

11810



	Inch	mm
OD	1 25/32	45.24
LG	7 29/32	200.82

Componentes
2 Pzs. Buje / 2 Qty. Bushing
1 Pz. Perno / 1 Qty. Pin
2 Pzs. Arandelas / 1 Qty. Washers
2 Pzs. Anillo de Retención para Ejes tipo "E" / 2 Qty. E-Clips



Herramienta: Utiliza: 1
Diagrama: Relacionado: 12357,
Modelo: T600 / T680 / 11809, 11809
T800 / W900
Año:

OEM#M13-6001

Kit Soporte para Escape Exhaust Mount Kit

11811



Componentes

1 Pz. 11809 Soporte para Escape / 1 Qty. 11809 Exhaust Mount
1 Pz. 11810 Soporte para Escape / 1 Qty. 11810 Exhaust Mount



Herramienta: Utiliza: 1
Diagrama: Relacionado: 11809,
Modelo: T600 / T680 / 11810, 11810
T800 / W900
Año:

OEM#M13-1009, M13-6001

Soporte para Escape Exhaust Mount

11812



	Inch	mm
ID	7/16	11.11
OD	1 3/4	44.45
LG	3/4	19.05
OD<	1 1/8	28.58



Herramienta: Utiliza: 2
Diagrama: Relacionado: 11809,
Modelo: T600 / T680 / 11810, 11810
T800 / W900
Año:

OEM#M13-6001

Soporte para Escape Exhaust Mount

12357



	Inch	mm
ID	13/32	10.32
OD	1 5/16	33.34



Componentes
1 Pz. Soporte Superior para Escape / 1 Qty. Upper Exhaust Mount
1 Pz. Soporte Inferior para Escape / 1 Qty. Lower Exhaust Mount

Herramienta: Utiliza: 2
Diagrama: Relacionado: 11809,
Modelo: 930 / 935 / 967 / 11810
377 / 378 / 379 / 386 / 11810
387 / 389 / 579 / 587
Año:

OEM#14-14656, 14-14656U

Soporte para Escape Exhaust Mount

17284



	Inch	mm
ID	15/32	11.91
OD	1 15/16	49.21
LG	1 5/32	29.37



Herramienta: Utiliza: 2
Diagrama: Relacionado: 11818,
Modelo: T600 / T800 / 11529, 11529
W900
Año: 2010 / 2014 / 2018

OEM#M13-1011

Soporte Trasero para Motor Motor Mount, Rear

11535



	Inch	mm
ID	3 19/32	91.28
LG	4 1/2	114.30
WD	2	50.80
H	2 5/32	54.77
HO	7/8	22.23
TK	1/2	12.70



Herramienta: Utiliza: 2
Diagrama: Relacionado: 11536,
Modelo: 11537, 11537, 11613, 11614, 11761
Año:

OEM#K174-555, K174-B-456

Soporte Delantero para Motor Motor Mount, Front

11537



	Inch	mm
ID	3/4	19.05
OD	3 3/4	95.25
LG	2 1/2	63.50
OD<	2 1/32	51.59



Herramienta: Utiliza: 2
Diagrama: Relacionado: 11535,
Modelo: 11536, 11536, 11613, 11614, 11761
Año:

OEM#M500-70NR, K066-229, K066-177, 05-08969, 05-10103

Motor

Soporte Trasero para Motor

Motor Mount, Rear

11538



A3

	Inch	mm
ID	5/8	15.88
LG	5 3/4	146.05
WD	2 1/16	52.39
H	2 19/32	65.88
LGC-C	3	76.20



Herramienta: Utiliza: 2
 Diagrama: Relacionado: 11535, 11536, 11536, 11613, 11614, 11761
 Modelo: T800
 Año:

OEM# K066-247, M506-70NR, K066-282, K066-320

Soporte Trasero para Motor

Motor Mount, Rear

11539



A3

	Inch	mm
ID	5/8	15.88
LG	5 3/4	146.05
WD	2 1/16	52.39
H	2 9/16	65.09
LGC-C	3	76.20



Herramienta: Utiliza: 2
 Diagrama: Relacionado: 11535, 11536, 11536, 11613, 11614, 11761
 Modelo: T800
 Año:

OEM# K066-247, K066-282, K066-320, M506-70NR

Soporte Trasero para Motor

Motor Mount, Rear

11540



A1

	Inch	mm
ID	13/16	20.64
LG	7 7/8	200.03
WD	3 1/8	79.38
H	1 9/16	39.69
HO	5/8	15.88
LGC-C	2	50.80



Herramienta: Utiliza: 2
 Diagrama: Relacionado: 11541, 11615, 11615, 11762, 11818
 Modelo: T600 / T800 / T2000 / W900
 Año:

OEM# K-066-377, P066391, D1310011

Soporte para Motor

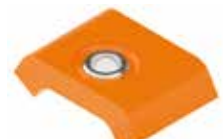
Motor Mount

11541



A1

	Inch	mm
ID	13/16	20.64
LG	4 3/16	106.36
WD	2 3/4	69.85
H	1 7/32	30.96



Herramienta: Utiliza: 2
 Diagrama: Relacionado: 11540, 11615, 11615, 11762, 11818
 Modelo: T600 / T800 / T2000 / W900
 Año:

OEM# K066-421

Soporte Delantero para Motor

Motor Mount, Front

11613



A2

	Inch	mm
ID	3/4	19.05
OD	3 13/16	96.84
LG	2 9/16	65.09
OD <	2 3/32	53.18



Herramienta: Utiliza: 2
 Diagrama: Relacionado: 11535, 11536, 11536, 11539, 11614, 11761
 Modelo: T600 / T800 / T2000 / W900
 Año:

OEM# K066-229, J6198-2, M700NR, 0508969, 0510103

Soporte Trasero para Motor

Motor Mount, Rear

11614



A4

	Inch	mm
ID	5/8	15.88
LG	5 17/32	140.49
WD	2	50.80
LGC-C	3	76.20



Herramienta: Utiliza: 2
 Diagrama: Relacionado: 11538, 11539, 11539
 Modelo: T600 / T800 / T2000 / W900
 Año:

OEM# K066-282, K066-320, K056-70NR

Soporte Delantero para Motor

Motor Mount, Front

11615



A1

	Inch	mm
ID	13/16	20.64
OD	3 1/2	88.90
LG	2 3/32	53.18
OD <	2	50.80



Componentes
 1 Pz. Soporte Superior para Motor / 1 Qty. Upper Motor Mount
 1 Pz. Soporte Inferior para Motor / 1 Qty. Lower Motor Mount

Herramienta: Utiliza: 2
 Diagrama: Relacionado: 11540, 11541, 11541, 11762, 11818
 Modelo: T-600 / W-900 / T600 / T800 / T2000 / W900
 Año:

OEM# K066-423, K066-404, K066-406

Kit Soporte Trasero para Motor

Motor Mount Kit, Rear

11760



A3

	Inch	mm
THR	3/4-16 UNF	
BOLT	3/4-16 UNF	

Componentes

2 Pzs. 11541 Soporte para Motor / 2 Qty. 11541 Motor Mount
 2 Pzs. 11540 Soporte Trasero para Motor / 2 Qty. 11540 Motor Mount Rear
 2 Pzs. HT00015-3 Tornillo / 2 Qty. HT00015-3 Bolt
 2 Pzs. HT00016-2 Tuerca tipo Gripco / 2 Qty. HT00016-2 Nylon Insert Nut
 8 Pz. HL110 Arandela / 8 Qty. HL110 Washer



Herramienta: Utiliza: 1
 Diagrama: Relacionado: 11540, 11541, 11541, 11762, 11818
 Modelo: T600 / T800
 Año:

OEM# K066-377, K066-421

Kit Soporte para Motor Motor Mount Kit

11761



BOLT *Inch* 5/8-18 UNF *mm*

Componentes

2 Pzs. 11539 Soporte para Motor / 2 Qty. 11539 Motor Mount
4 Pzs. HT00011-1 Tornillo / 4 Qty. HT00011-1 Bolt
4 Pzs. HT00027-2 Tuerca / 4 Qty. HT00027-2 Nut
8 Pzs. HV18550 Arandela / 8 Qty. HV18550 Washers



Herramienta: Utiliza: 1
Diagrama: Relacionado: 11539
Modelo:
Año:

OEM# K066-247,
K066-282, K066-320,
MS06-70NR

Kit Soporte Delantero para Motor Motor Mount Kit, Front

11762



THR *Inch* 3/4-16 UNF *mm*
BOLT 3/4-16 UNF

Componentes

2 Pzs. 11615 Kit Soporte Delantero para Motor / 2 Qty. 11615 Motor Mount Kit, Front
2 Pzs. HT00015-4 Tornillo / 2 Qty. HT00015-4 Bolt
2 Pzs. HT00016-2 Tuerca tipo Gripco / 2 Qty. HT00016-2 Nylon Insert Nut
4 Pzs. HL110 Arandela / 4 Qty. HL110 Washer



Herramienta: Utiliza: 1
Diagrama: Relacionado: 11540,
Modelo: T-600 / W-900 11541, 11541, 11760,
Año: 11818

OEM# K066-405,
K066-385, K066-407,
K066-423

Kit Soporte para Motor Motor Mount Kit

11818



Componentes

1 Pz. 11541 Soporte Superior para Motor /
1 Qty. 11541 Upper Motor Mount
1 Pz. 11540 Soporte Inferior para Motor /
1 Qty. 11540 Lower Motor Mount



Herramienta: Utiliza: 2
Diagrama: Relacionado: 11540,
Modelo: T600 / T800 / 11541, 11541, 11760,
T2000 / W900 11762
Año: 2006 / 2010 / 2009

OEM# K066-421 (Sup.),
K066-377 (Inf.)

Soporte Trasero para Motor Motor Mount, Rear

11821



LG *Inch* 9 1/4 *mm* 234.95
WD 7 1/4 184.15
H 4 21/32 118.27
LG C-C 2 3/4 69.85
BOLT M16 X 2



Herramienta: Utiliza: 2
Diagrama: Relacionado: 18102
Modelo: T660 / T800
Año: 2014

OEM# 12447TBG, 11681

Kit Soporte Trasero para Motor Motor Mount Kit, Rear

11837



BOLT *Inch* 5/8-11 UNC *mm*

Componentes

2 Pzs. 11614 Soporte Trasero para Motor / 2 Qty. 11614 Motor Mount, Rear
4 Pzs. HT12333 Tornillo / 4 Qty. HT12333 Bolt
4 Pzs. HT31600-3 Tuerca tipo Gripco / 4 Qty. HT31600-3 Nylon Insert Nut
8 Pzs. HV18550 Arandela / 8 Qty. HV18550 Washer



Herramienta: Utiliza: 1
Diagrama: Relacionado: 11614,
Modelo: T600 11538, 11538
Año:

OEM# K066-282, K066-247 / K066-320, K056-70NR, MS06-70NR

Tapón para Bayoneta de Aceite Oil Cop Bushing

18044



ID *Inch* 3/8 *mm* 9.53
OD 1 9/32 32.54
LG 25/32 19.84
OD < 1 25.40



Herramienta: Utiliza: 1
Diagrama: Relacionado:
Modelo:
Año:

OEM#

Soporte Delantero para Motor Motor Mount, Front

18102



ID *Inch* 3/4 *mm* 19.05
OD 3 5/8 92.08
LG 2 15/32 62.71
OD < 2 3/16 55.56



Herramienta: Utiliza: 2
Diagrama: Relacionado: 11821
Modelo: White 12005-3403 / Brigadier
Año:

OEM# 660551

Buje para Quinta Rueda Fifth Wheel Bushing

11604



ID *Inch* 1 31/32 *mm* 50.01
OD 2 3/4 69.85
LG 4 101.60

Componentes

1 Pz. Buje Interior / 1 Qty. Internal Bushing
1 Pz. Buje Exterior / 1 Qty. External Bushing



Herramienta: Utiliza: 2
Diagrama: Relacionado: 11515
Modelo:
Año:

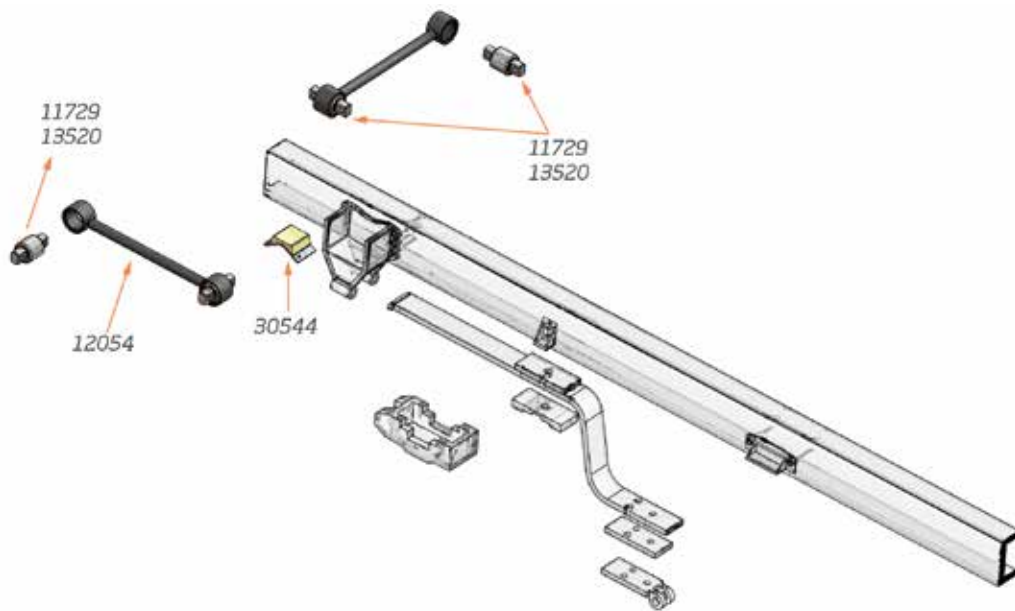
OEM# SK2905-95,
SK2905-95, QR-46

Motor

Quinta Rueda

Tandem Rear Axle

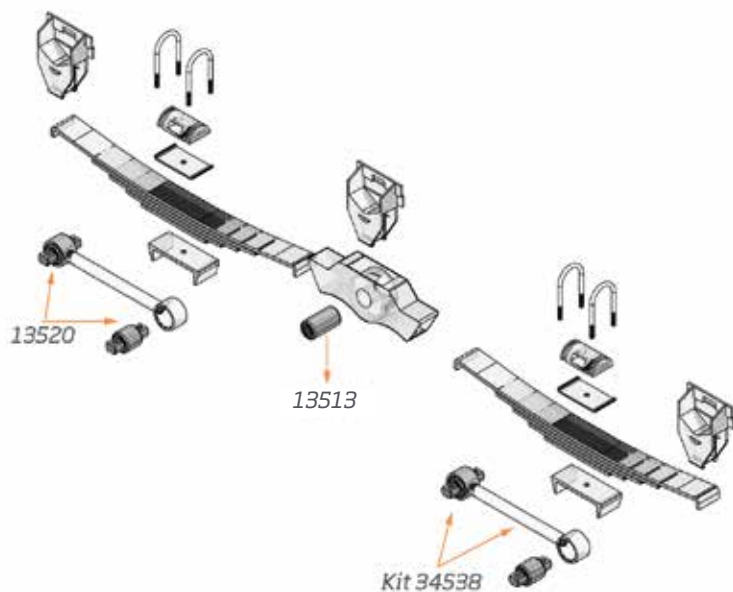
DG065



Códigos GAFF 11729, 12054, 13520, 30544

Drive Axle Truck

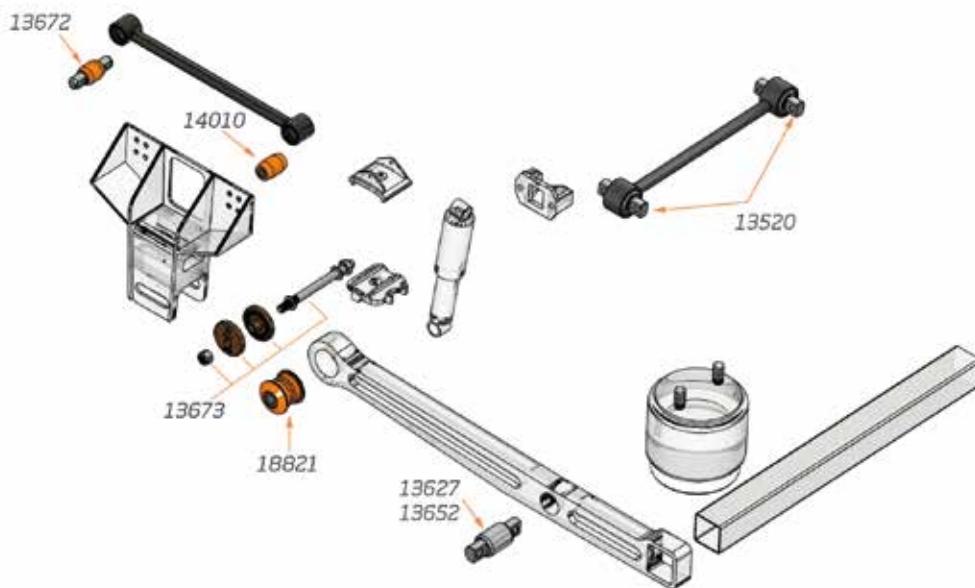
DG066



Códigos GAFF 13513, 13520

Primaax 230 / 460 / 690 8 1/2" a 10"

DG068



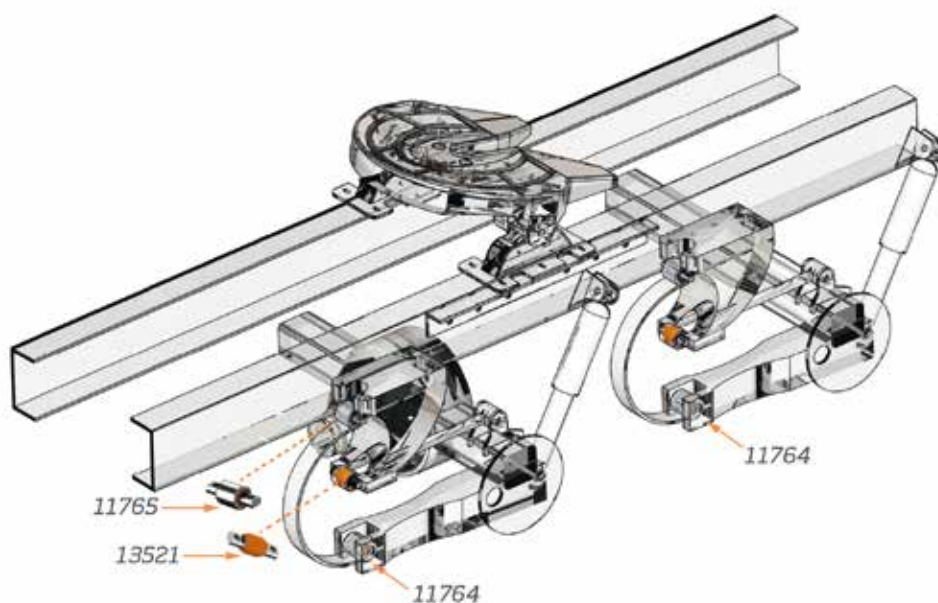
Códigos GAFF

18821

13520, 13627, 13652, 13672, 13673, 14010,

Serie Airglide 380

DG069

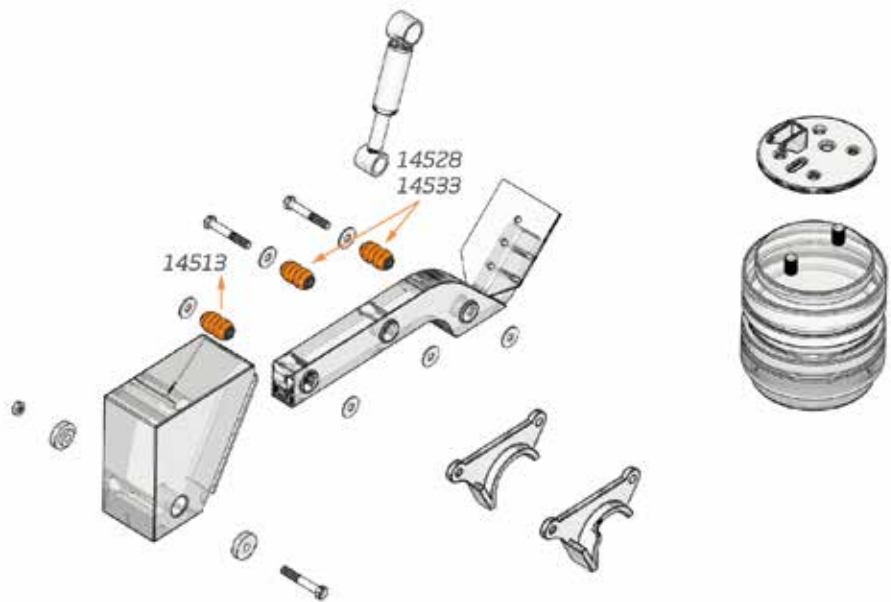


Códigos GAFF

11764, 11765, 13521

RL-196 A

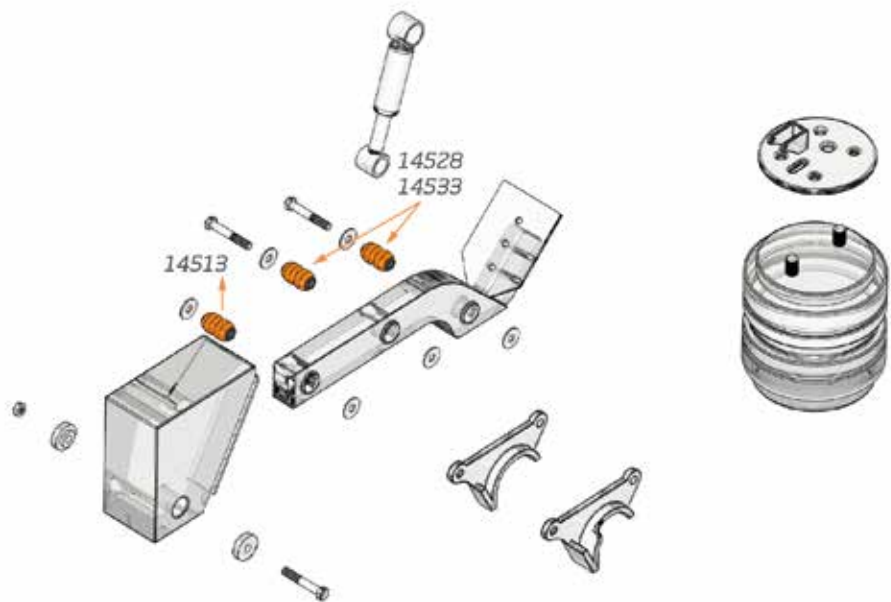
DG080



Códigos GAFF 14513, 14528, 14533

RL-228-14 / 15 / 16 / 17

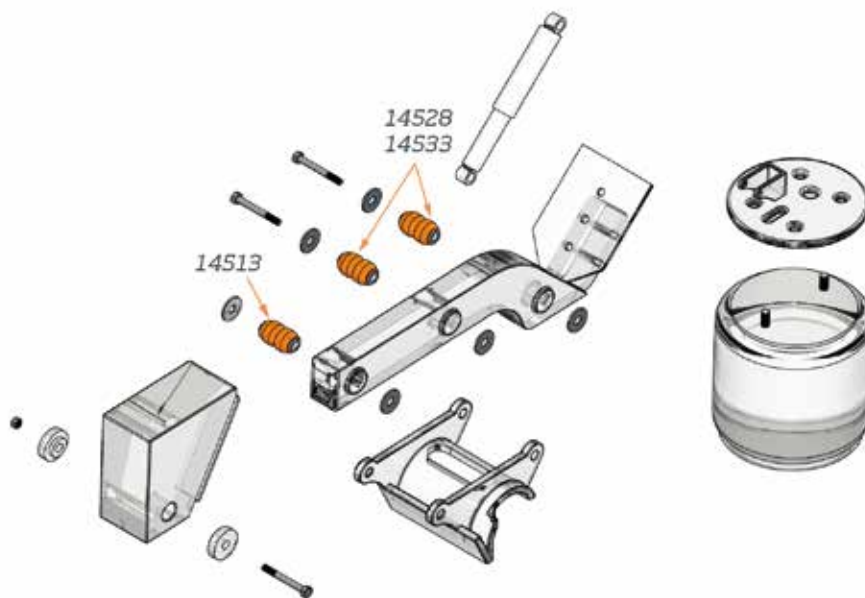
DG081



Códigos GAFF 14513, 14528, 14533

AR-92-12 / AR-92-14 / AR-92-15 / AR-92-16 / AR-92-17 /
AR-92-18 / AR-93/AR-14 / AR-1 / AR-16 / AR-17

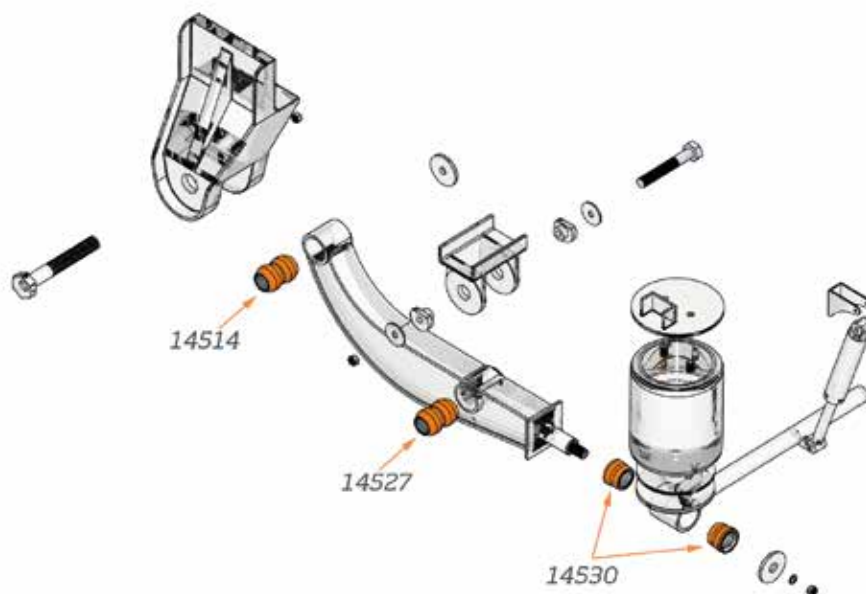
DG088



Códigos GAFF 14513, 14528, 14533

ARD-125-6 / ARD-244-6

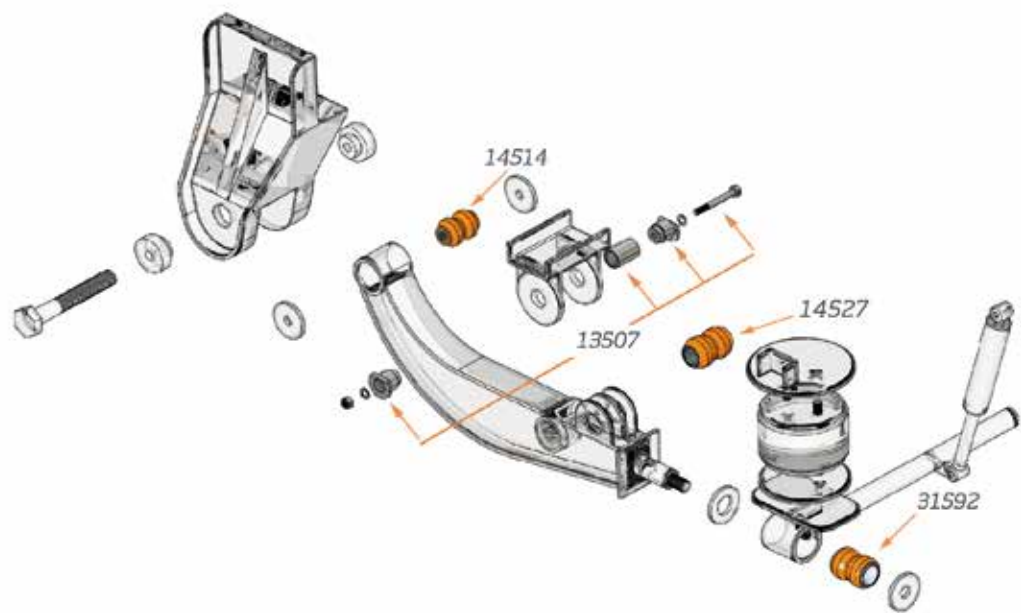
DG091



Códigos GAFF 14514, 14527, 14530

Series ARDST / ARDSTM / 123-6 / 244-6 / 246-6

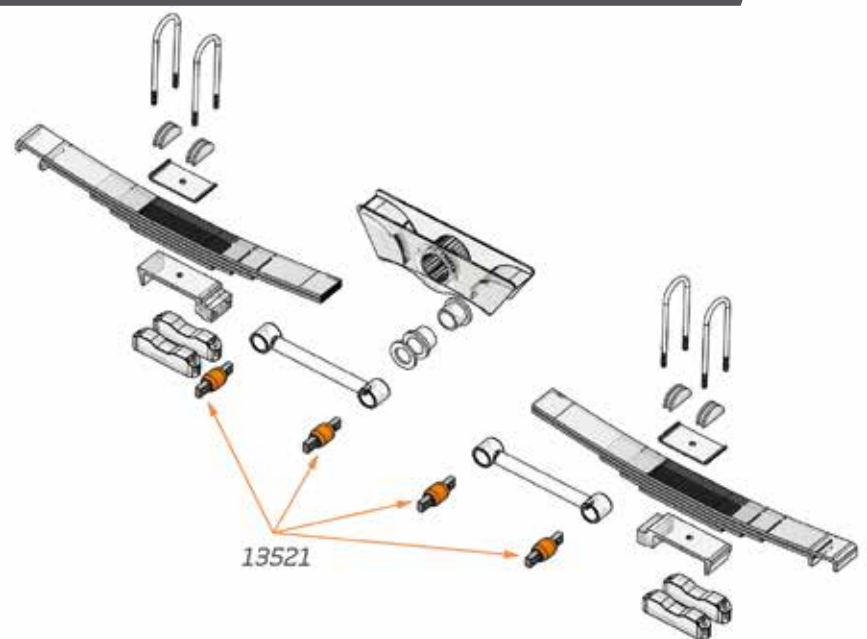
DG093



Códigos GAFF 13507, 14514, 14527, 31592

4 Muelles

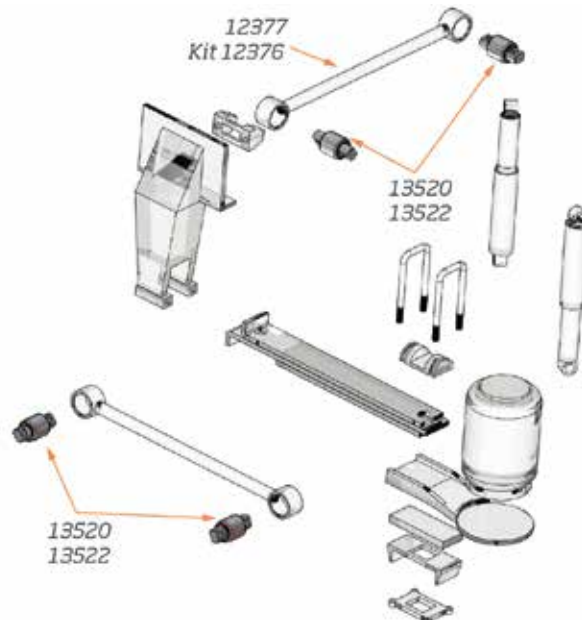
DG096



Códigos GAFF 13521

Air Trac Single

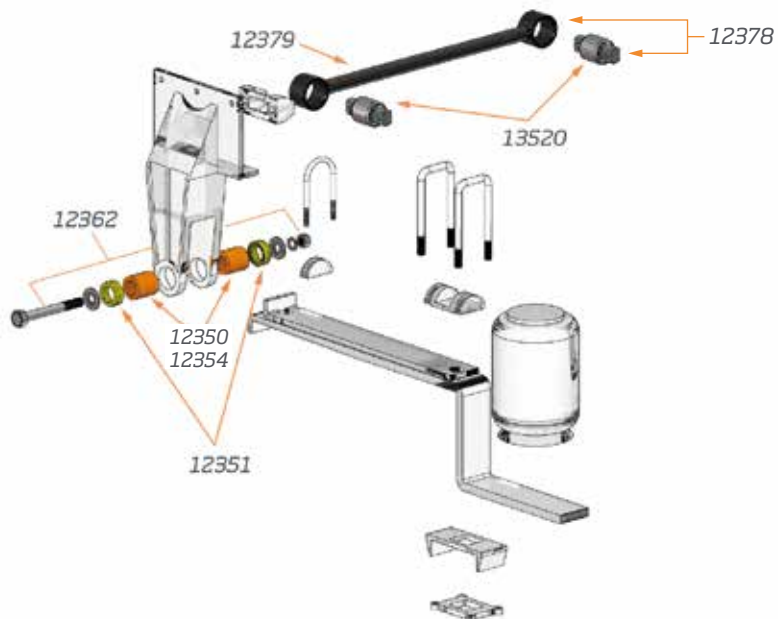
DG098



Códigos GAFF 12376, 12377, 13520, 13522

Low Air Leaf

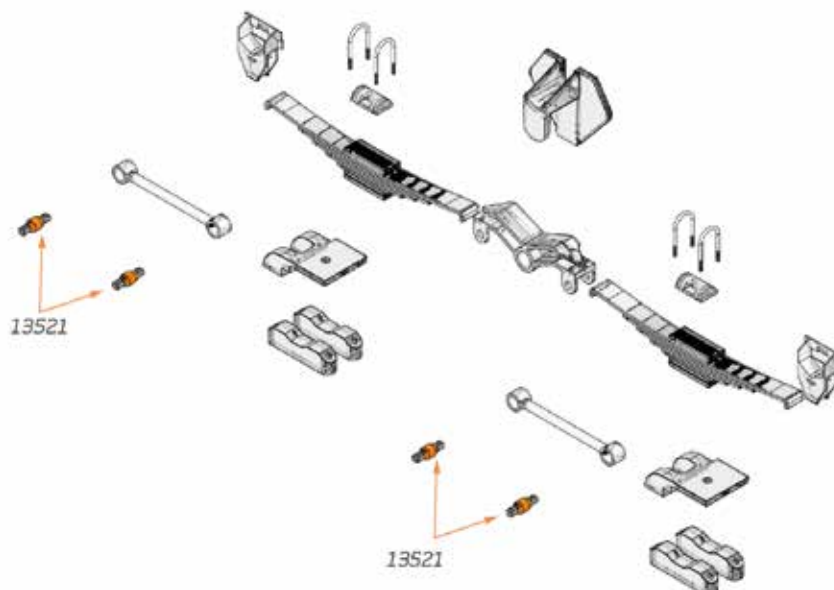
DG099



Códigos GAFF 12350, 12351, 12354, 12362, 12378, 12379, 13520

Quadraflex

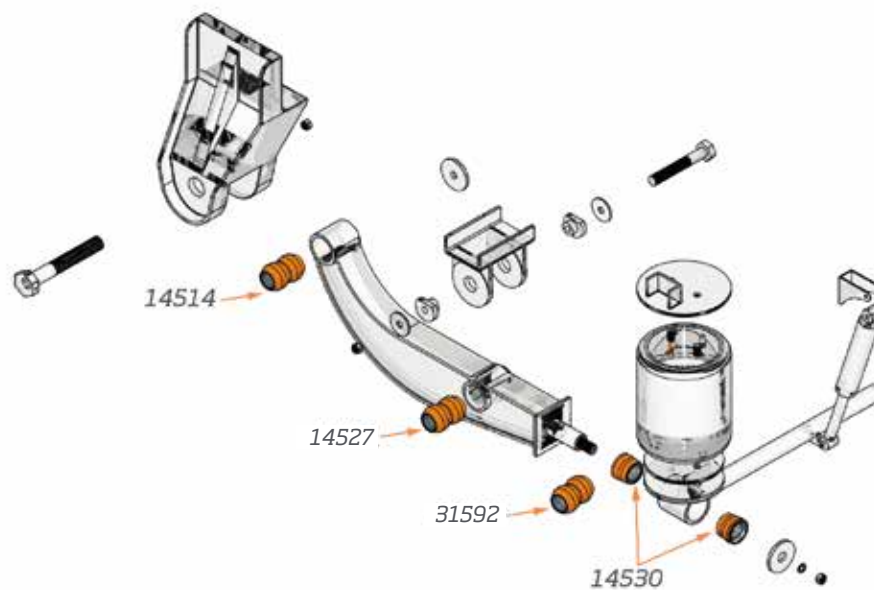
DG100



Códigos GAFF 13521

ARD-125-6 / ARD-244-6

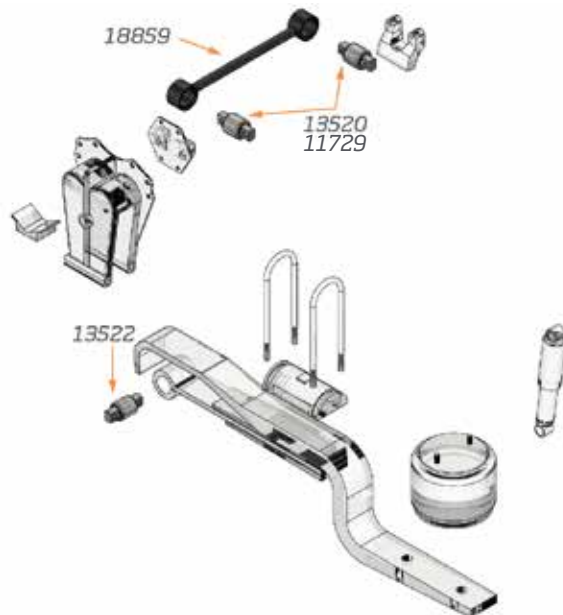
DG101



Códigos GAFF 14514, 14527, 14530, 31592

Air Ride

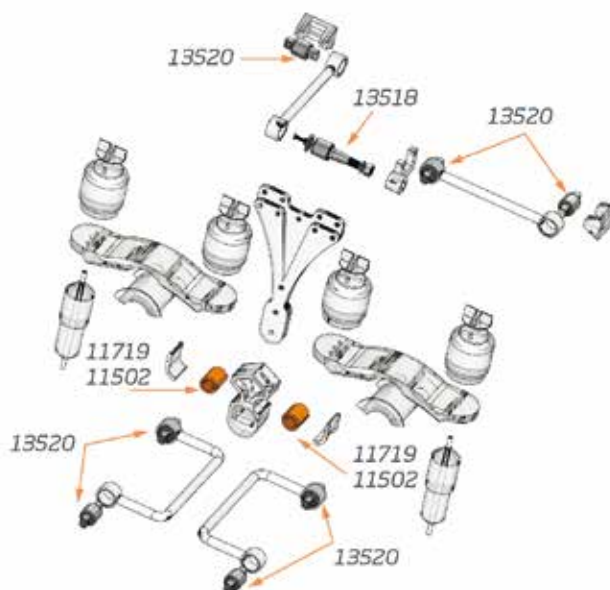
DG128



Códigos GAFF 11729, 13520, 13522, 18859

Serie Airglide 100

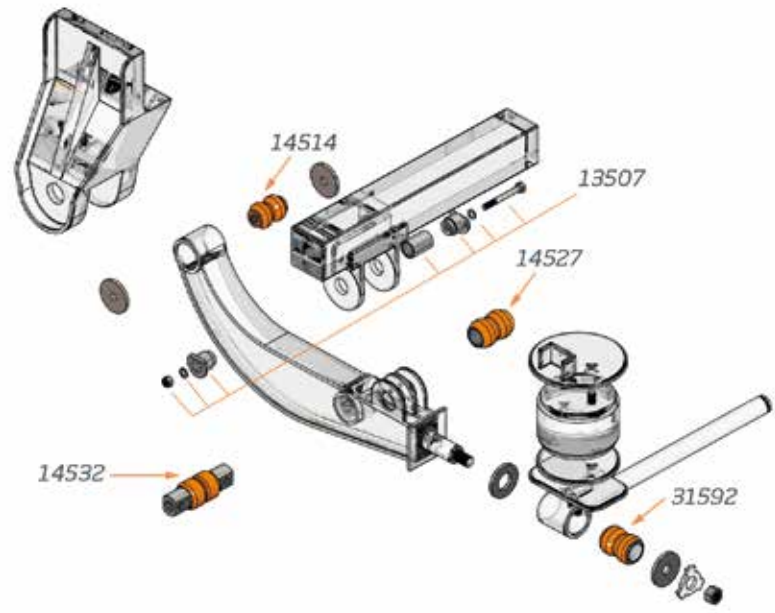
DG134



Códigos GAFF 11502, 11719, 13518, 13520

Series AD-123 / 246-6 / 5 / 7 / 8 / 10

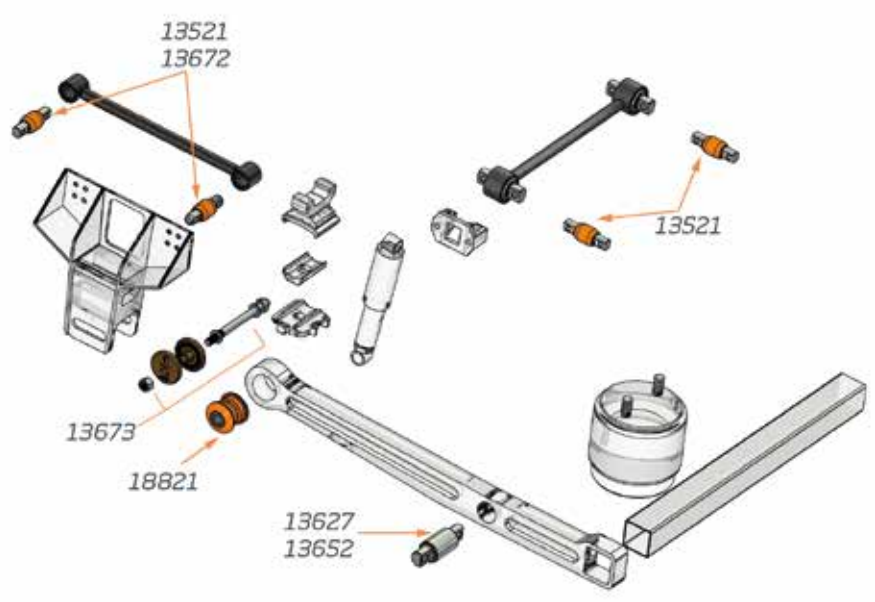
DG135



Códigos GAFF 13507, 14514, 14527, 14532, 31592

Primaax EX 262/522/782, Firemax EX 272/542 8 1/2" 10"

DG138



Códigos GAFF 13521, 13627, 13652, 13672, 13673, 18821

Buje para Quinta Rueda Fifth Wheel Bushing

11604



	Inch	mm
ID	1 31/32	50.01
OD	2 3/4	69.85
LG	4	101.60



Componentes

- 1 Pz. Buje Interior / 1 Qty. Internal Bushing
- 1 Pz. Buje Exterior / 1 Qty. External Bushing

Herramienta: Utiliza: 2
Diagrama: Relacionado: 11515
Modelo:
Año:

OEM# SK2905-95,
SK2905-95, QR-46

Quinta Rueda

Kenworth

*Soporte para Cabina Cab Mount

11520



	Inch	mm
ID	5/8	15.88
OD	2 7/8	73.03
LG	1 5/16	33.34
OD<	1 27/32	46.83



Herramienta: Utiliza: 8
Diagrama: Relacionado: 11519,
11523, 11523, 11551,
11552
Modelo: W-900
Año:

OEM# K066-228, K066-
228601, M601-70NR,
J7165-1, 07-03286,
703286, 04-9009996

*Soporte para Cabina Cab Mount

11525



	Inch	mm
ID	5/8	15.88
OD	2 7/8	73.03
LG	1 1/4	31.75
OD<	1 1/2	38.10



Herramienta: Utiliza: 4
Diagrama: Relacionado: 11519
Modelo: T600 / T800
Año:

OEM#

Cabina

*Soporte para Cabina Cab Mount

11527



	Inch	mm
ID	5/8	15.88
OD	2 19/32	65.88
LG	2 1/16	52.39
OD<	1 9/16	39.69



Herramienta: Utiliza: 4
Diagrama: Relacionado: 11529,
11612, 11705, 11707,
11742
Modelo: T800
Año:

OEM# K066-177, 05-08968

*Soporte para Cabina Cab Mount

11529



	Inch	mm
ID	29/32	23.02
OD	2 7/16	61.91
LG	1 7/8	47.63
OD<	1 9/16	39.69



Herramienta: Utiliza: 4
Diagrama: Relacionado: 11536
Modelo: T600 / T800
Año:

OEM#

Cabina

***Soporte para Cabina** **11530**
Cab Mount ✓ A2

	Inch	mm
ID	5/8	15.88
OD	2 19/32	65.88
LG	2 1/8	53.98
OD<	1 1/2	38.10



Herramienta: Utiliza: 4
 Diagrama: Relacionado: 11531, 11548, 11548
 Modelo: T800
 Año:

OEM# K066177, M-500-70NR, 753997C93, J6210-49, J6210-41, 753997C93, 753997C92, 753997C91

Soporte para Cabina **11533**
Cab Mount ✓ A2

	Inch	mm
ID	5/8	15.88
OD	3	76.20
LG	1 15/16	49.21
OD<	1 13/16	46.04



Herramienta: Utiliza: 4
 Diagrama: Relacionado: 11527, 11531, 11531, 11612, 11705, 11707, 11742, 18938, 18949
 Modelo:
 Año:

OEM# K066-336, M602-70NR, 04-9009990

Soporte para Cabina **11551**
Cab Mount ✓ A2

	Inch	mm
ID	5/8	15.88
OD	2 7/8	73.03
LG	15/16	23.81



Herramienta: Utiliza: 4
 Diagrama: Relacionado: 11519, 11520, 11520, 11525, 11552
 Modelo:
 Año:

OEM#

***Soporte para Cabina** **11552**
Cab Mount ✳ B

	Inch	mm
ID	5/8	15.88
OD	2 7/8	73.03
LG	1	25.40



Herramienta: Utiliza: 2
 Diagrama: Relacionado: 11551
 Modelo: T600 / T800
 Año:

OEM#

Soporte para Cabina y Camarote **11566**
Cab & Cabin Mount ✓ A3

	Inch	mm
ID	5/8	15.88
OD	2 7/8	73.03
LG	7/8	22.23



Herramienta: Utiliza: 4
 Diagrama: Relacionado: 11520, 11523, 11523
 Modelo:
 Año:

OEM#

Soporte para Cabina **11612**
Cab Mount ✓ A3

	Inch	mm
ID	5/8	15.88
OD	2 19/32	65.88
LG	2 1/16	52.39
OD<	1 9/16	39.69



Herramienta: Utiliza: 4
 Diagrama: Relacionado: 11527, 11531, 11531, 11533, 11705, 11707, 11742, 18938, 18949
 Modelo:
 Año:

OEM# K066-177, M50070NR, K066-229

Soporte para Cabina **11705**
Cab Mount ✓ A3

	Inch	mm
ID	5/8	15.88
OD	3	76.20
LG	2 3/8	60.33
OD<	1 13/16	46.04



Herramienta: Utiliza: 4
 Diagrama: Relacionado: 11527, 11531, 11531, 11533, 11612, 11707, 11742, 34515, 34516, 34552
 Modelo: T800
 Año: 2005

OEM# K066-176, 05-14794

Soporte para Cabina **11707**
Cab Mount ✓ A4

	Inch	mm
ID	5/8	15.88
OD	2 1/2	63.50
LG	2	50.80
OD<	1 19/32	40.48



Herramienta: Utiliza: 4
 Diagrama: Relacionado: 11527, 11531, 11531, 11533, 11612, 11705, 11742, 18938, 18949
 Modelo: T800
 Año: 2005

OEM# M501, 05-08968

Soporte para Cabina

Cab Mount

11742



	Inch	mm
ID	1 1/2	38.10
LG	4 13/16	122.24
WD	3 3/16	80.96
H	2 3/16	55.56



Herramienta: Utiliza: 2
 Diagrama: Relacionado: 11527, 11531, 11531, 11533, 11612, 11705, 11707, 18938, 18949
 Modelo: T800 Aerocab / T600 Aerocab
 Año:

OEM# 26509-11

Soporte para Cabina

Cab Mount

18938



	Inch	mm
ID	5/8	15.88
OD	3	76.20
LG	3 7/16	87.31
OD<	1 17/32	38.89



Herramienta: Utiliza: 2
 Diagrama: Relacionado: 11527, 11531, 11531, 11533, 11612, 11705, 11707, 11742, 18949
 Modelo: T800 Aerocab / T600 Aerocab
 Año:

OEM# K066-435-3

Soporte para Cabina

Cab Mount

18949



	Inch	mm
ID	11/16	17.46
LG	6 7/32	157.96
WD	2 1/4	57.15
H	3 19/32	91.28
LG C-C	4 17/32	115.09
THR	M16 X 1.5	



Herramienta: Utiliza: 2
 Diagrama: Relacionado: 11527, 11531, 11531, 11533, 11612, 11705, 11707, 11742, 18938
 Modelo: T-2000
 Año:

OEM# 26732-2

Gancho para Cofre

Hood Latch

11134



	Inch	mm
LG	9 1/16	230.19
WD	2 1/8	53.98
TK	3/4	19.05



Herramienta: Utiliza: 2
 Diagrama: Relacionado: 11109, 12365, 12365
 Modelo: T800 / T600
 Año: 2011

OEM# 17-12438-000, 680-880-01-60, L560001, L56-0001, HLK1035, 1304339, 13-04339

Gancho para Cofre

Hood Latch

11543



	Inch	mm
LG	9 3/32	230.98



Herramienta: Utiliza: 2
 Diagrama: Relacionado: 11545, 11109, 11109, 11134
 Modelo: C500 / K100 / T300 / T400 / T600 / T800 / W900
 Año:

OEM# K147 107, K147C106

Buje para Bisagra de Cofre

Hood Hinge Bushing

11544



	Inch	mm
ID	17/32	13.49
OD	1 3/4	44.45
LG	1 1/4	31.75
OD<	1 1/4	31.75



Herramienta: Utiliza: 2
 Diagrama: Relacionado: 11557, 11709, 11709
 Modelo:
 Año:

OEM# CB1121-10, K066-B-218, M300-70NR, CB1121-10

Guía para Cofre

Hood Pin

11545



	Inch	mm
OD	3 3/16	80.96
LG	3 7/8	98.43
OD<	1 1/2	38.10
THD	1/2-13 UNC	



Herramienta: Utiliza: 2
 Diagrama: Relacionado: 11109, 11134, 11543, 11768
 Modelo: T800 / T600
 Año: 2002

OEM# K176-8-6344, K17686344, K179-528, K149-450, R307467, 25QM31

Base de Guía para Cofre

Hood Latch Assembly

11547



	Inch	mm
LG	8 5/8	219.08
WD	3	76.20
HO	1/2	12.70
TK	3/8	9.53



Herramienta: Utiliza: 2
 Diagrama: Relacionado: 11545
 Modelo: T800 / T600
 Año: 2005

OEM# K350-1887

Cabina

Cofre

Cofre

Buje para Bisagra de Cofre Hood Hinge Bushing

11557



A2

	Inch	mm
ID	1/2	12.70
OD	1 3/4	44.45
LG	1 5/16	33.34
OD<	1 1/8	28.58



Herramienta: Utiliza: 2
Diagrama: Relacionado: 11544, 11709, 11709
Modelo:
Año:

OEM# M300-70NR

Buje para Bisagra de Cofre Hood Hinge Bushing

11709



A2

	Inch	mm
ID	17/32	13.49
OD	1 3/4	44.45
LG	1 3/8	34.93
OD<	1 5/32	29.37



Herramienta: Utiliza: 2
Diagrama: Relacionado: 11544, 11557, 11557
Modelo:
Año:

OEM# K066-218

Gancho para Cofre Hood Latch

11768



A1

	Inch	mm
LG	10 3/4	273.05



Herramienta: Utiliza: 2
Diagrama: Relacionado: 11545, 11543, 11543, 11134, 12088
Modelo: T660 / T370- T300 / MACK, CH, CHN, CXN, CV y RH
Año:

OEM# 3799344, 374129560, HLK1015

Buje para Cofre Hood Roller

11805



B

	Inch	mm
ID	11/16	17.46
OD	1 1/8	28.58
LG	1 1/2	38.10



Herramienta: Utiliza: 2
Diagrama: Relacionado: 12359, 12363, 12363, 12367, 12370
Modelo: W900B / W900L / T600 / T800.
Año:

OEM# K066-360, 13-04391

Gancho para Cofre Hood Latch

11832



A2

	Inch	mm
LG	5 29/32	150.02
WD	1 31/32	50.01
H	2 1/8	53.98



Herramienta: Utiliza: 2
Diagrama: Relacionado: 11768, 11821, 11821, 11819
Modelo: T660
Año: 2013

OEM# L56-1027, L56-6027

Guía para Cofre Support Hood Bumper

11848



A2

	Inch	mm
LG	5 3/32	129.38
WD	3 11/16	93.66
H	2 5/16	58.74



Herramienta: Utiliza: 2
Diagrama: Relacionado: 11134, 11109, 11109
Modelo: T680 / T880
Año: 2014-2019

OEM# L85-6081

Gancho para Cofre Hood Latch

12365



A2

	Inch	mm
LG	8 7/8	225.43



Herramienta: Utiliza: 2
Diagrama: DG019 Relacionado: 11134, 11109, 11109
Modelo: M2
Año: 1987-2011

OEM# L56-0001

Empaque para Tapón de Tanque Diésel Fuel Tank Cap Gasket

11784



B

	Inch	mm
ID	2 7/32	56.36
OD	3 9/16	90.49
TK	5/32	3.97



Herramienta: Utiliza: 2
Diagrama: Relacionado:
Modelo: T800
Año: 2008

OEM# 12105GTD, 90-00334, S-21376

Empaque

Soporte para Escape Exhaust Mount

11809



	Inch	mm
ID	15/32	11.91
WD	2	50.80
HO	3/8	9.53
LG C-C	2 3/4	69.85



Herramienta: Utiliza: 1
Diagrama: Relacionado: 12357,
Modelo: T600 / T680 / 11810, 11811
T800 / W900
Año:

OEM#M13-1009

Soporte para Escape Exhaust Mount Pin

11810



	Inch	mm
OD	1 25/32	45.24
LG	7 29/32	200.82

Componentes
2 Pzs. Buje / 2 Qty. Bushing
1 Pz. Perno / 1 Qty. Pin
2 Pzs. Arandelas / 1 Qty. Washers
2 Pzs. Anillo de Retención para Ejes tipo "E" / 2 Qty. E-Clips



Herramienta: Utiliza: 1
Diagrama: Relacionado: 12357,
Modelo: T600 / T680 / 11809, 11809
T800 / W900
Año:

OEM#M13-6001

Kit Soporte para Escape Exhaust Mount Kit

11811



Componentes

1 Pz. 11809 Soporte para Escape / 1 Qty.
11809 Exhaust Mount
1 Pz. 11810 Soporte para Escape / 1 Qty.
11810 Exhaust Mount



Herramienta: Utiliza: 1
Diagrama: Relacionado: 11809,
Modelo: T600 / T680 / 11810, 11811
T800 / W900
Año:

OEM#M13-1009, M13-6001

Soporte para Escape Exhaust Mount

11812



	Inch	mm
ID	7/16	11.11
OD	1 3/4	44.45
LG	3/4	19.05
OD<	1 1/8	28.58



Herramienta: Utiliza: 2
Diagrama: Relacionado: 11809,
Modelo: T600 / T680 / 11810, 11811
T800 / W900
Año:

OEM#M13-6001

Soporte para Escape Exhaust Mount

12357



	Inch	mm
ID	13/32	10.32
OD	1 5/16	33.34



Componentes
1 Pz. Soporte Superior para Escape / 1 Qty. Upper Exhaust Mount
1 Pz. Soporte Inferior para Escape / 1 Qty. Lower Exhaust Mount

Herramienta: Utiliza: 2
Diagrama: Relacionado: 11809,
Modelo: 930 / 935 / 967 / 11810
377 / 378 / 379 / 386 / 11810
387 / 389 / 579 / 587
Año:

OEM#14-14656, 14-14656U

Soporte para Escape Exhaust Mount

17284



	Inch	mm
ID	15/32	11.91
OD	1 15/16	49.21
LG	1 5/32	29.37



Herramienta: Utiliza: 2
Diagrama: Relacionado: 11818,
Modelo: T600 / T800 / 11529, 11529
W900
Año: 2010 / 2014 / 2018

OEM#M13-1011

Soporte Trasero para Motor Motor Mount, Rear

11535



	Inch	mm
ID	3 19/32	91.28
LG	4 1/2	114.30
WD	2	50.80
H	2 5/32	54.77
HO	7/8	22.23
TK	1/2	12.70



Herramienta: Utiliza: 2
Diagrama: Relacionado: 11536,
Modelo: 11537, 11537, 11613, 11614, 11761
Año:

OEM#K174-555, K174-B-456

Soporte Delantero para Motor Motor Mount, Front

11537



	Inch	mm
ID	3/4	19.05
OD	3 3/4	95.25
LG	2 1/2	63.50
OD<	2 1/32	51.59



Herramienta: Utiliza: 2
Diagrama: Relacionado: 11535,
Modelo: 11536, 11536, 11613, 11614, 11761
Año:

OEM#M500-70NR, K066-229, K066-177, 05-08969, 05-10103

Motor

Soporte Trasero para Motor Motor Mount, Rear

11538



A3

	Inch	mm
ID	5/8	15.88
LG	5 3/4	146.05
WD	2 1/16	52.39
H	2 19/32	65.88
LGC-C	3	76.20



Herramienta: Utiliza: 2
Diagrama: Relacionado: 11535,
11536, 11536, 11613,
11614, 11761
Modelo: T800
Año:

OEM# K066-247,
M506-70NR, K066-282,
K066-320

Soporte Trasero para Motor Motor Mount, Rear

11539



A3

	Inch	mm
ID	5/8	15.88
LG	5 3/4	146.05
WD	2 1/16	52.39
H	2 9/16	65.09
LGC-C	3	76.20



Herramienta: Utiliza: 2
Diagrama: Relacionado: 11535,
11536, 11536, 11613,
11614, 11761
Modelo: T800
Año:

OEM# K066-247,
K066-282, K066-320,
M506-70NR

Soporte Trasero para Motor Motor Mount, Rear

11540



A1

	Inch	mm
ID	13/16	20.64
LG	7 7/8	200.03
WD	3 1/8	79.38
H	1 9/16	39.69
HO	5/8	15.88
LGC-C	2	50.80



Herramienta: Utiliza: 2
Diagrama: Relacionado: 11541,
11615, 11615, 11762,
11818
Modelo: T600 / T800 /
T2000 / W900
Año:

OEM# K-066-377, P066391,
D1310011

Soporte para Motor Motor Mount

11541



A1

	Inch	mm
ID	13/16	20.64
LG	4 3/16	106.36
WD	2 3/4	69.85
H	1 7/32	30.96



Herramienta: Utiliza: 2
Diagrama: Relacionado: 11540,
11615, 11615, 11762,
11818
Modelo: T600 / T800 /
T2000 / W900
Año:

OEM# K066-421

Soporte Delantero para Motor Motor Mount, Front

11613



A2

	Inch	mm
ID	3/4	19.05
OD	3 13/16	96.84
LG	2 9/16	65.09
OD <	2 3/32	53.18



Herramienta: Utiliza: 2
Diagrama: Relacionado: 11535,
11536, 11536, 11539,
11614, 11761
Modelo: T600 / T800 /
T2000 / W900
Año:

OEM# K066-229, J6198-2,
M700NR, 0508969,
0510103

Soporte Trasero para Motor Motor Mount, Rear

11614



A4

	Inch	mm
ID	5/8	15.88
LG	5 17/32	140.49
WD	2	50.80
LGC-C	3	76.20



Herramienta: Utiliza: 2
Diagrama: Relacionado: 11538,
11539, 11539
Modelo: T600 / T800 /
T2000 / W900
Año:

OEM# K066-282, K066-320,
K056-70NR

Soporte Delantero para Motor Motor Mount, Front

11615



A1

	Inch	mm
ID	13/16	20.64
OD	3 1/2	88.90
LG	2 3/32	53.18
OD <	2	50.80



Componentes
1 Pz. Soporte Superior para Motor / 1 Qty. Upper
Motor Mount
1 Pz. Soporte Inferior para Motor / 1 Qty. Lower
Motor Mount

Herramienta: Utiliza: 2
Diagrama: Relacionado: 11540,
11541, 11541, 11762,
11818
Modelo: T-600 / W-900 /
T600 / T800 / T2000 / W900
Año:

OEM# K066-423, K066-404,
K066-406

Kit Soporte Trasero para Motor Motor Mount Kit, Rear

11760



A3

	Inch	mm
THR	3/4-16 UNF	
BOLT	3/4-16 UNF	

Componentes

2 Pzs. 11541 Soporte para Motor / 2 Qty. 11541 Motor Mount
2 Pzs. 11540 Soporte Trasero para Motor / 2 Qty. 11540
Motor Mount Rear
2 Pzs. HT00015-3 Tornillo / 2 Qty. HT00015-3 Bolt
2 Pzs. HT00016-2 Tuerca tipo Gripco / 2 Qty. HT00016-2
Nylon Insert Nut
8 Pz. HL110 Arandela / 8 Qty. HL110 Washer



Herramienta: Utiliza: 1
Diagrama: Relacionado: 11540,
11541, 11541, 11762,
11818
Modelo: T600 / T800
Año:

OEM# K066-377, K066-421

Kit Soporte para Motor Motor Mount Kit

11761



BOLT *Inch* 5/8-18 UNF *mm*

Componentes

2 Pzs. 11539 Soporte para Motor / 2 Qty. 11539 Motor Mount
4 Pzs. HT00011-1 Tornillo / 4 Qty. HT00011-1 Bolt
4 Pzs. HT00027-2 Tuerca / 4 Qty. HT00027-2 Nut
8 Pzs. HV18550 Arandela / 8 Qty. HV18550 Washers



Herramienta: Utiliza: 1
Diagrama: Relacionado: 11539
Modelo:
Año:

OEM# K066-247,
K066-282, K066-320,
MS06-70NR

Kit Soporte Delantero para Motor Motor Mount Kit, Front

11762



THR *Inch* 3/4-16 UNF *mm*
BOLT 3/4-16 UNF

Componentes

2 Pzs. 11615 Kit Soporte Delantero para Motor / 2 Qty. 11615 Motor Mount Kit, Front
2 Pzs. HT00015-4 Tornillo / 2 Qty. HT00015-4 Bolt
2 Pzs. HT00016-2 Tuerca tipo Gripco / 2 Qty. HT00016-2 Nylon Insert Nut
4 Pzs. HL110 Arandela / 4 Qty. HL110 Washer



Herramienta: Utiliza: 1
Diagrama: Relacionado: 11540,
Modelo: T-600 / W-900 11541, 11541, 11760,
Año: 11818

OEM# K066-405,
K066-385, K066-407,
K066-423

Kit Soporte para Motor Motor Mount Kit

11818



Componentes

1 Pz. 11541 Soporte Superior para Motor /
1 Qty. 11541 Upper Motor Mount
1 Pz. 11540 Soporte Inferior para Motor /
1 Qty. 11540 Lower Motor Mount



Herramienta: Utiliza: 2
Diagrama: Relacionado: 11540,
Modelo: T600 / T800 / 11541, 11541, 11760,
T2000 / W900 11762
Año: 2006 / 2010 / 2009

OEM# K066-421 (Sup.),
K066-377 (Inf.)

Soporte Trasero para Motor Motor Mount, Rear

11821



LG *Inch* 9 1/4 *mm* 234.95
WD 7 1/4 184.15
H 4 21/32 118.27
LG C-C 2 3/4 69.85
BOLT M16 X 2



Herramienta: Utiliza: 2
Diagrama: Relacionado: 18102
Modelo: T660 / T800
Año: 2014

OEM# 12447TBG, 11681

Kit Soporte Trasero para Motor Motor Mount Kit, Rear

11837



BOLT *Inch* 5/8-11 UNC *mm*

Componentes

2 Pzs. 11614 Soporte Trasero para Motor / 2 Qty. 11614 Motor Mount, Rear
4 Pzs. HT12333 Tornillo / 4 Qty. HT12333 Bolt
4 Pzs. HT31600-3 Tuerca tipo Gripco / 4 Qty. HT31600-3 Nylon Insert Nut
8 Pzs. HV18550 Arandela / 8 Qty. HV18550 Washer



Herramienta: Utiliza: 1
Diagrama: Relacionado: 11614,
Modelo: T600 11538, 11538
Año:

OEM# K066-282, K066-247 / K066-320, K056-70NR, MS06-70NR

Tapón para Bayoneta de Aceite Oil Cop Bushing

18044



ID *Inch* 3/8 *mm* 9.53
OD 1 9/32 32.54
LG 25/32 19.84
OD < 1 25.40



Herramienta: Utiliza: 1
Diagrama: Relacionado:
Modelo:
Año:

OEM#

Soporte Delantero para Motor Motor Mount, Front

18102



ID *Inch* 3/4 *mm* 19.05
OD 3 5/8 92.08
LG 2 15/32 62.71
OD < 2 3/16 55.56



Herramienta: Utiliza: 2
Diagrama: Relacionado: 11821
Modelo: White 12005-3403 / Brigadier
Año:

OEM# 660551

Buje para Quinta Rueda Fifth Wheel Bushing

11604



ID *Inch* 1 31/32 *mm* 50.01
OD 2 3/4 69.85
LG 4 101.60

Componentes

1 Pz. Buje Interior / 1 Qty. Internal Bushing
1 Pz. Buje Exterior / 1 Qty. External Bushing



Herramienta: Utiliza: 2
Diagrama: Relacionado: 11515
Modelo:
Año:

OEM# SK2905-95,
SK2905-95, QR-46

Motor

Quinta Rueda

Kit Barra de Torsión

Torque Rod Kit

11080

* B

	Inch	mm
LGC-C	24	609.60
THD	1 1/4-12 UNF	
BOLT	5/8-18 UNF	

Componentes

1 Pz. 11754 Barra de TorsiÓn / 1Qty. 11754 Torque Rod
 1 Pz. 13520 Buje para Barra de TorsiÓn / 1 Qty. 13520 Torque Rod Bushing
 1 Pz. 13518 Buje para Barra de TorsiÓn / 1 Qty. 13518 Torque Rod Bushing



OEM# K195-376

Herramienta: Utiliza: 2
Diagrama: Relacionado: 11754, 13520, 13520
Modelo:
Año:


Buje para Muñón

Trunnion Bushing

11500

✓ A4

	Inch	mm
ID	3 1/2	88.90
OD	4 1/2	114.30
LG	4 3/16	106.36
OD<	3 3/4	95.25



OEM# K066-184

Herramienta: Utiliza: 4
Diagrama: DG120
Modelo: Relacionado: 11501, 11509, 11509, 11512
Año:


Buje para Muñón

Trunnion Bushing

11501

✓ A3

	Inch	mm
ID	4	101.60
OD	5	127.00
LG	4 27/32	123.03



OEM# K066-232 / KW6-50, X1006731

Herramienta: Utiliza: 4
Diagrama: Relacionado: 11500, 11509, 11509, 11512
Modelo:
Año:

Buje para Barra Estabilizadora

Sway Bar Bushing

11502

✓ A2

	Inch	mm
ID	2	50.80
OD	2 7/8	73.03
LG	4	101.60



OEM# K066-058 / K066293 / K066-449 / K066-293

Herramienta: Utiliza: 4
Diagrama: DG134
Modelo: Series Airglide para 100
Año: Relacionado: 13520, 13518, 13518

Buje para Barra de Torsión

Torque Rod Bushing

11507

✓ A3

	Inch	mm
OD	2 23/32	69.06
HO	21/32	16.67
LGC-C	4 3/8	111.13



OEM# K066-342

Herramienta: 18833 / 40131 Utiliza: 4
Diagrama: Relacionado: 11509
Modelo:
Año:


Buje para Barra de Torsión

Torque Rod Bushing

11509

✓ A3

	Inch	mm
OD	3 1/2	88.90
HO	21/32	16.67
LGC-C	4 3/8	111.13



OEM# 24476-000, K195-415-13, A-2297-U-73A, 932420

Herramienta: Utiliza: 4
Diagrama: DG051
Modelo: T600 / T800 / W900
Año: Relacionado: 11500, 11501, 11501, 11512, 13520

Buje para Barra de Torsión

Torque Rod Bushing

11511

* B

	Inch	mm
OD	3 1/2	88.90
HO	21/32	16.67
LGC-C	4 3/8	111.13



OEM# M60270NR / K066-336 / K066-269

Herramienta: Utiliza: 4
Diagrama: DG051
Modelo: T600 / T800 / T2000 / W900
Año: 2011 Relacionado: 11500, 11501, 11501, 11512

Buje para Barra de Torsión

Torque Rod Bushing

11512

* B

	Inch	mm
OD	4 1/8	104.78
HO	5/8	15.88
LGC-C	4 3/8	111.13



OEM# A-2297-K-1052 / A2297-V4806

Herramienta: Utiliza: 4
Diagrama: Relacionado: 11500, 11501, 11501, 11511
Modelo:
Año:

Buje para Amortiguador Shock Absorber Bushing

11550



A2

	Inch	mm
ID	5/8	15.88
OD	2	50.80
LG	1	25.40
OD<	1	25.40



Herramienta: Utiliza: 4
Diagrama: DG073 Relacionado: 30507
Modelo: Año:

OEM# K066-266 / COM368-6

Buje para Barra Estabilizadora Sway Bar Bushing

11719



A2

	Inch	mm
ID	1 15/16	49.21
OD	2 7/8	73.03
LG	4	101.60



Herramienta: Utiliza: 4
Diagrama: DG134 Relacionado: 13520, 13518, 13518
Modelo: Series Airglide para 100/ Series Airglide para 200 Año:

OEM# K066-449 / K066-293 / K066-058

Buje para Barra Estabilizadora Sway Bar Bushing

11720



A2

	Inch	mm
ID	2 5/32	54.77
OD	3 1/16	77.79
LG	2 13/16	71.44



Herramienta: Utiliza: 4
Diagrama: DG073 Relacionado: 11729, 11733, 11733
Modelo: Año:

OEM# K066-450 / K066-478

Buje para Barra de Torsión Torque Rod Bushing

11729



A1

	Inch	mm
OD	2 3/4	69.85
HO	1 1/16	17.46
LG C-C	4 3/8	111.13



Herramienta: 18551 / 18833 / 40131
Diagrama: DG042, DG065, DG070, DG073, DG128
Modelo: Air Suspension Single - Tanparam Rear Axle / Series Airglide para 460 Utiliza: 12
Relacionado: 11720, 11733, 11733 Año:

OEM# 836940 / 839310 / 227720, R3010303

Kit Perno para Barra Estabilizadora Sway Rod Pin Kit

11733



A5

Componentes

- 1 Pz. 11734 Soporte para Suspensión / 1 Qty. 11734 Suspension Mount
- 1 Pz. 11736 Perno para Barra Estabilizadora / 1 Qty. 11736 Sway Rod Pin
- 2 Pzs. 11737 Reten para Grasa del Perno / 2 Qty. 11737 Grease Retainer Bolt



Herramienta: Utiliza: 4
Diagrama: DG073 Relacionado: 11720, 11729, 11729
Modelo: Año:

OEM# K179-531 / K345-5156

Soporte para Suspensión Suspension Mount

11734



A5

	Inch	mm
ID	2 1/8	53.98
OD	3 9/16	90.49
LG	1/2	12.70



Herramienta: Utiliza: 4
Diagrama: DG073 Relacionado: 11720, 11729, 11729
Modelo: Año:

OEM# K066-502-2 / K066-461, K066-454

Buje para Barra Estabilizadora Sway Bar Bushing

11743



A2

	Inch	mm
ID	2 1/4	57.15
OD	3 3/32	78.58
LG	2 7/8	73.03



Herramienta: Utiliza: 4
Diagrama: Relacionado: 11720, 11729, 11729, 11734
Modelo: Series Airglide para 400 Año:

OEM# KW-08849AC, C13-1007

Kit Barra de Torsión Torque Rod Kit

11751



B

	Inch	mm
LGC-C	24	609.60

Componentes

- 1 Pz. 11754 Barra de Torsión/ 1 Qty. 11754 Torque Rod
- 2 Pzs. 13520 Buje para Barra de Torsión / 2 Qty. 13520 Torque Rod Bushing



Herramienta: Utiliza: 2
Diagrama: Relacionado: 13520, 11754, 11754
Modelo: Año:

OEM# K195-375

Suspensión

Buje Delantero para Muelle

Spring Bushing Front

11753



	Inch	mm
OD	1 3/4	44.45
LG C-C	6 5/16	160.34
OD <	1 1/16	26.99



Herramienta: 40090 Utiliza: 2
 Diagrama: Relacionado: 11758,
 Modelo: T2000 / T600 / 11757, 11757, 11767,
 T800 / W900 / C500B / 11775, 11820
 Año: 550B / K100 / 300

OEM# B65-1006

Barra de Torsión

Torque Rod

11754



	Inch	mm
ID	2 3/4	69.85
LG C-C	24	609.60



Herramienta: Utiliza: 2
 Diagrama: Relacionado: 11751,
 Modelo: 13520, 13520
 Año:

OEM# A13102146A

Kit Buje Delantero para Muelle

Spring Bushing Front Kit

11757



Componentes

2 Pzs. 11758 Buje Delantero para Muelle /
 2 Qty. 11758 Spring Bushing Front
 2 Pzs. 11759 Albardón / 2 Qty. 11759
 Shackle Side Bar



Herramienta: Utiliza: 2
 Diagrama: Relacionado: 11758,
 Modelo: 11759, 11759
 Año:

OEM#

Buje Delantero para Muelle

Spring Bushing Front

11758



	Inch	mm
OD	1 3/4	44.45
LG C-C	5 3/4	146.05
OD <	1 1/16	26.99



Herramienta: 40090 Utiliza: 4
 Diagrama: Relacionado: 11757,
 Modelo: T2000 / T600 / 11753, 11753, 11763,
 T800 / W900 / C500B / 11767, 11775
 Año: 550B / K100 / 300

OEM# B65-1005 / 5295 /
 K179-378

Albardón

Shackle Side Bar

11759



	Inch	mm
LG	6 9/32	159.54
WD	2	50.80
HO	1 1/16	26.99
LG C-C	4	101.60
BOLT	1/2-13 UNC	



Herramienta: Utiliza: 4
 Diagrama: Relacionado: 11778
 Modelo:
 Año:

OEM#

Buje Delantero para Muelle

Spring Bushing Front

11763



	Inch	mm
OD	2 1/8	53.98
LG C-C	6 5/16	160.34
OD <	1 1/16	26.99



Herramienta: 40286 Utiliza: 2
 Diagrama: Relacionado: 11757,
 Modelo: T600 / T800 / 11753, 11753, 11767,
 W900 11775, 11820
 Año:

OEM# B65-1007 / B651012

Buje para Barra de Torsión

Torque Rod Bushing

11764



	Inch	mm
ID	7/8	22.23
OD	2 3/8	60.33
LG	2 19/32	65.88



Herramienta: Utiliza: 4
 Diagrama: DG069 Relacionado: 11765,
 Modelo: Series Airglide 13521, 13521
 para 380 / Air Suspension / Año: Flex Air

OEM# K221-5086 / RB-292 /
 C136002

Buje para Barra de Torsión

Torque Rod Bushing

11765



	Inch	mm
OD	2 3/8	60.33
HO	5/8	15.88
LG C-C	4 13/32	111.92



Herramienta: Utiliza: 4
 Diagrama: DG069 Relacionado: 11764,
 Modelo: Series Airglipara 13521, 13521
 380 / Air Suspension / Año: Flex Air

OEM# 51879 / RB291 /
 C136001

Buje Delantero para Muelle Spring Bushing Front

11767

✓ A2

	Inch	mm
OD	1 3/4	44.45
LG C-C	5 7/16	138.11
OD <	1 1/16	26.99



Herramienta: 40090 Utiliza: 4
 Diagrama: Relacionado: 11720, 11729, 11729, 11734, 11743
 Modelo: T2000 / T600 / T800 / W900 / CS00B / 550B / K100 / 300
 Año:

OEM# 52375, B65-6005

Barra de Torsión Torque Rod

11770

✓ A4

	Inch	mm
ID	2 3/4	69.85
LG C-C	19 27/32	504.03



Herramienta: Utiliza: 4
 Diagrama: Relacionado: 11729, 11773, 11773
 Modelo: Airglide para Triparam
 Año:

OEM# K195-472, K195-474

Kit Barra de Torsión Torque Rod Kit

11773

✓ A4

	Inch	mm
LG C-C	19 27/32	504.03

Componentes

1 Pz. 11770 Barra de Torsión / 1 Qty. 11770 Torque Rod
 2 Pzs. 11729 Buje para Barra de Torsión / 2 Qty. 11729 Torque Rod Bushing



Herramienta: Utiliza: 2
 Diagrama: Relacionado: 11770, 11729, 11729
 Modelo: Airglide para Triparam
 Año:

OEM# K195-472 / K195-474 / TR59-41474

Barra de Torsión Torque Rod

11774

* B

	Inch	mm
ID	1 3/4	44.45
LG C-C	14 1/2	368.30



Herramienta: Utiliza: 4
 Diagrama: Relacionado: 11004
 Modelo:
 Año:

OEM# 62007-365

Buje Delantero para Muelle Spring Bushing Front

11775

* B

	Inch	mm
OD	2 1/8	53.98
LG	6 23/32	170.66
LG C-C	5 15/32	138.91
OD <	1	25.40



Herramienta: 40286 Utiliza: 2
 Diagrama: Relacionado: 11060, 11094, 11094
 Modelo: T600 / T800 / W900
 Año:

OEM# B65-6005 / 50273AB

Albardón Shackle Side Bar

11778

* B

	Inch	mm
LG	6 11/32	161.13
WD	1 29/32	48.42
HO	1 1/16	26.99
LG C-C	4 1/32	102.39



Herramienta: Utiliza: 2
 Diagrama: Relacionado: 11759
 Modelo: T660 / T600
 Año: 2008

OEM# 19118AA

Kit Barra de Torsión Torque Rod Kit

11792

✓ A5

	Inch	mm
LG C-C	25 9/16	649.29

Componentes

1 Pz. 11797 Barra de Torsión / 1 Qty. 11797 Torque Rod
 2 Pzs. 13521 Buje para Barra de Torsión / 2 Qty. 13521 Torque Rod Bushing



Herramienta: Utiliza: 2
 Diagrama: Relacionado: 11797, 13521, 13521
 Modelo: Series Airglide para 380 / Air Suspension / Flex Air
 Año: 2009-2011

OEM# C65-6009 / C65-6002

Kit Barra de Torsión Torque Rod Kit

11793

* B

	Inch	mm
LG C-C	20 1/4	514.35

Componentes

1 Pz. 11800 Barra de Torsión / 1 Qty. 11800 Torque Rod
 2 Pzs. 11729 Buje para Barra de Torsión / 2 Qty. 11729 Torque Rod Bushing



Herramienta: Utiliza: 2
 Diagrama: Relacionado: 11800, 11729, 11729
 Modelo:
 Año:

OEM# C65-1008 / C65-1009

Kit Barra de Torsión Torque Rod Kit

11795



	Inch	mm
LGC-C	24 11/16	627.06

Componentes

- 1 Pz. 11799 Barra de Torsión / 1 Qty. 11799 Torque Rod
- 1 Pz. 13521 Buje para Barra de Torsión / 1 Qty. 13521 Torque Rod Bushing
- 1 Pz. 14010 Buje para Barra de Torsión / 1 Qty. 14010 Torque Rod Bushing



Herramienta: Utiliza: 4
Diagrama: Relacionado: 11799, 13521, 13521
Modelo: Flex Airglide para 380
Año: 2004-2012

OEM# C65-6011-002

Barra de Torsión Torque Rod

11797



	Inch	mm
ID	1 3/4	44.45
LGC-C	25 9/16	649.29



Herramienta: 13753 / 18836 / 11071 / 13754
Diagrama: Relacionado: 11792, 13521, 13521
Modelo: Series Airglide para 380 / Air Suspension / Flex Air
Año: 2009-2011

OEM# C65-6009

Barra de Torsión Torque Rod

11799



	Inch	mm
ID	1 3/4	44.45
LGC-C	24 11/16	627.06



Herramienta: Utiliza: 2
Diagrama: Relacionado: 11799, 13521, 13521
Modelo: Flex Airglide para 380
Año: 2004-2012

OEM# C65-6011-002

Buje Delantero para Muelle Spring Bushing Front

11820



	Inch	mm
ID	5/8	15.88
OD	1 3/4	44.45
LG	4 1/4	107.95



Herramienta: Utiliza: 4
Diagrama: Relacionado: 11757, 11753, 11753, 11763, 11767, 11775
Modelo: CS00B / 550B / K100 / 300 / T300 / 400 / 450 / 600 / 800
Año:

OEM# B65-6010

Buje para Muelle Spring Bushing

11834



	Inch	mm
ID	31/32	24.61
OD	2 27/32	72.23
LG	2 27/32	72.23



Herramienta: Utiliza: 2
Diagrama: Relacionado: 11848
Modelo: T880
Año: 2017

OEM# 0203142400

Buje Delantero para Muelle Spring Bushing Front

11846



	Inch	mm
OD	2 3/32	53.18
LGC-C	5 25/32	146.84
OD<	1 1/16	26.99



Herramienta: Utiliza: 2
Diagrama: Relacionado: 11775
Modelo: T800
Año: 2006-2014

OEM# B65-6005 / 50273AB

Buje para Barra de Torsión Torque Rod Bushing

13518



	Inch	mm
OD	2 3/4	69.85
LG	8 1/16	204.79
THR	1 1/4-12 UNF	
THD	1 1/4-12 UNF	
BOLT	5/8-18 UNF	



Herramienta: 13584 / 18833 / 40131
Diagrama: DG049, DG050, DG053, DG054, DG065, DG134
Modelo: T2000 / T600 / T800 / W900 Series RS
Año: Relacionado: 13520

OEM# 229610, 44697 / 64400-004L / 66649-004 / 44697-000L, 1693066C1, 02-29610 / 229610

Buje para Barra de Torsión Torque Rod Bushing

13520



	Inch	mm
OD	2 3/4	69.85
HO	21/32	16.67
LGC-C	4 3/8	111.13



Herramienta: 40131 / 18551 / 18833
Diagrama: DG042, DG049, DG080, DG053, DG054, DG065, DG066, DG068, DG098, DG099, DG128, DG134
Modelo: Series RS 400 / 403 / 460 / 463 / Series RT 380 / 440 / Series RT 340 / Series RS / RTE 400 / 403 / 460 / 463
Año: Relacionado: 13518, 13522, 13522, 11714, 13536, 13582, 13618

OEM# 44695-000L / 227720 / 836940 / 839310, 44695 / 64400-002L / 66649-002, 1693061C1, 1688-227720, 02-27720 / 227720

Buje para Barra de Torsión Torque Rod Bushing

13521

✓ A1

	Inch	mm
OD	2	50.80
HO	2 1/32	16.67
LG C-C	4 13/32	111.92



Herramienta: 11071/18836 **Utiliza:** 4
Diagrama: DG040, DG041, DG042, DG043, DG044, DG045, DG046, DG047
Relacionado: 13524, 13527, 13582, 13597, 13598, 13627, 14010, 34539, 34562
Año:
Modelo: Primaax EX 262/522/782/Firemax EX 272/542/Primaax 230/460/690/Firemax 240/480/Series E4-360/400

OEM# A16-119448 / HDR 47691 000L / 47691000 / 47691 / 47691-000L / H476 91000L / HD47691000L / HUD4769100 0L / 47691 / HDR47691000L / 4000-476 91000L / 85107110 / 47691-000L / R305 275 / 47691

Buje para Barra de Torsión Torque Rod Bushing

14007

✓ A3

	Inch	mm
ID	1	25.40
OD	2	50.80
LG	3	76.20



Herramienta: 50049 / 18836 / 40124 **Utiliza:** 8
Diagrama: **Relacionado:** 14010
Modelo:
Año:

OEM# 722-00, 15209 / 3-12-35, 17012 / 19882

Buje para Barra de Torsión Torque Rod Bushing

14014

✓ A1

	Inch	mm
ID	1	25.40
OD	2	50.80
LG	3	76.20



Herramienta: **Utiliza:** 8
Diagrama: **Relacionado:** 14015
Modelo:
Año:

OEM# 722-00

Buje para Barra de Torsión Torque Rod Bushing

14015

✓ A3

	Inch	mm
ID	1	25.40
OD	1 13/16	46.04
LG	3	76.20



Herramienta: **Utiliza:** 8
Diagrama: **Relacionado:** 14014
Modelo:
Año:

OEM#

Buje para Barra de Torsión Torque Rod Bushing

15010

✓ A3

	Inch	mm
ID	1	25.40
OD	2 9/32	57.94
LG	2 11/16	68.26
OD <	1 23/32	43.66



Herramienta: **Utiliza:** 8
Diagrama: **Relacionado:** 15008, 15009, 15009
Modelo: Pegaso
Año:

OEM#

Buje para Amortiguador Shock Absorber Bushing

18100

✓ A4

	Inch	mm
ID	3/4	19.05
OD	1 9/16	39.69
LG	1 3/4	44.45



Herramienta: **Utiliza:** 4
Diagrama: **Relacionado:** 11550
Modelo: T800
Año:

OEM#

Albardón Shackle Side Bar

18601

✓ A3

	Inch	mm
LG	6 7/16	163.51
WD	1 3/4	44.45
HO	1 1/16	26.99
TK	1 1/4	31.75
LG C-C	4	101.60



Herramienta: **Utiliza:** 4
Diagrama: **Relacionado:** 18602
Modelo: T800
Año:

OEM# K209-59

Albardón Shackle Side Bar

18602

✓ A2

	Inch	mm
LG	6 7/16	163.51
WD	1 3/4	44.45
HO	1 1/16	26.99
TK	1 1/4	31.75
LG C-C	4	101.60



Herramienta: **Utiliza:** 4
Diagrama: **Relacionado:** 18601
Modelo: C500/ K100/ K300/ W900/ T300/ T400/ T450/ T600/ T800/ T2000
Año:

OEM# K209-82 / K209-87

Suspensión

Temperatura

Buje para Amortiguador Shock Absorber Bushing

30507



A2

	Inch	mm
ID	1	25.40
OD	1 29/32	48.42
LG	15/16	23.81
OD<	1 17/32	38.89



Herramienta: Utiliza: 8
Diagrama: DG097 Relacionado: 11550
Modelo: Air Leaf
Año:

OEM# 373023403 /
K066-B-238

Buje para Barra de Torsión Torque Rod Bushing

83520



A6

	Inch	mm
OD	2 3/4	69.85
HO	21/32	16.67
LG C-C	4 3/8	111.13



Herramienta: Utiliza: 4
Diagrama: Relacionado: 83522
Modelo:
Año:

OEM# 44695

Buje para Barra de Torsión Torque Rod Bushing

83522



B

	Inch	mm
OD	2 17/32	64.29
HO	5/8	15.88
LG C-C	4 3/8	111.13



Herramienta: Utiliza: 4
Diagrama: Relacionado: 83520
Modelo:
Año:

OEM# 44694

Soporte para Radiador Radiator Mount

11522



A3

	Inch	mm
ID	5/8	15.88
OD	2 7/8	73.03
LG	1 1/4	31.75
OD<	1 13/16	46.04



Herramienta: Utiliza: 8
Diagrama: Relacionado: 12366,
11804, 11804
Modelo: Pegaso
Año:

OEM# J7165-1, 07-03286,
04-9009996

Soporte para Radiador Radiator Mount

11523



A2

	Inch	mm
ID	5/8	15.88
OD	2 7/8	73.03
LG	1 5/16	33.34
OD<	1 13/16	46.04



Herramienta: Utiliza: 8
Diagrama: Relacionado: 12366,
11804, 11804
Modelo: W-900
Año:

OEM# M601-70NR /
K066-228 / M601 / K066-
228601, 07-03286

Soporte para Radiador Radiator Mount

11531



A2

	Inch	mm
ID	3/4	19.05
OD	2 19/32	65.88
LG	2 1/8	53.98
OD<	1 1/2	38.10



Herramienta: Utiliza: 4
Diagrama: Relacionado: 11530,
11548, 11548
Modelo:
Año:

OEM# M500.70NR

Soporte para Radiador Radiator Mount

11548



A2

	Inch	mm
ID	1/2	12.70
OD	1 5/8	41.28
LG	1 3/8	34.93

Componentes

1 Pz. Soporte Superior para Radiador / 1 Qty. Upper Radiator Mount

1 Pz. Soporte Inferior para Radiador / 1 Qty. Lower Radiator Mount



Herramienta: Utiliza: 4
Diagrama: Relacionado: 11530,
11531, 11531
Modelo:
Año:

OEM#

Buje para Soporte de Radiador Radiator Mount Bushing

11549



A2

	Inch	mm
ID	5/8	15.88
OD	1 9/16	39.69
LG	27/32	21.43
OD<	27/32	21.43



Herramienta: Utiliza: 4
Diagrama: Relacionado: 11530,
11531, 11531
Modelo:
Año:

OEM# K264-84 / K-264-84

*Soporte para Radiador Radiator Mount

11554



	Inch	mm
ID	13/32	10.32
OD	1	25.40
LG	1	25.40
OD<	27/32	21.43



Herramienta: Utiliza: 2
Diagrama: Relacionado: 11804
Modelo:
Año:

OEM#13-01633, M200

Kit Soporte para Enfriador de Aire Air Cooler Mount Kit

11804



BOLT M10 X 1.5

Componentes

4 Pzs. 11804 Kit Soporte para Enfriador de Aire / 4 Qty. 11804 Air Cooler Mount Kit
4 Pzs. HT00080-4 Tornillo / 4 Qty. HT00080-4 Bolt
4 Pzs. 11804 RG Arandela / 4 Qty. 11804 RG Washer
4 Pzs. HT00080-5 Tuerca / 4 Qty. HT00080-5 Nut



Herramienta: Utiliza: 1
Diagrama: Relacionado: 11523, 12366, 12366
Modelo: T800 / T600
Año: 2008-2010

OEM#N4751001, EM75-61001

Soporte para Radiador Radiator Mount

11831



	Inch	mm
ID	21/32	16.67
OD	2 1/2	63.50
LG	13/16	20.64
OD<	1 19/32	40.48



Herramienta: Utiliza: 2
Diagrama: Relacionado: 11522, 11523, 11523
Modelo: Series CBB y CBS
Año:

OEM#LORD-J8006-10

Buje para Soporte de Radiador Radiator Mount Bushing

11845



	Inch	mm
ID	21/32	16.67
OD	1 9/16	39.69
LG	1 9/32	32.54



Herramienta: Utiliza: 4
Diagrama: Relacionado: 60015, 60016
Modelo: T600 / T680 / T800
Año: 2016-Actual

OEM#B70879

Soporte para Enfriador de Aire Air Cooler Mount

12049



	Inch	mm
ID	3/8	9.53
OD	1 9/32	32.54
LG	1 1/16	26.99



Herramienta: Utiliza: 2
Diagrama: Relacionado: 12047
Modelo:
Año:

OEM#20QL-37P3, PAI-4678

Soporte para Radiador Radiator Mount

18047



	Inch	mm
ID	1/2	12.70
OD	1 9/16	39.69
LG	1/2	12.70



Herramienta: Utiliza: 4
Diagrama: Relacionado: 11021, 11129, 11129
Modelo:
Año:

OEM#

Base para Pedal de Acelerador Accelerator Pedal Base

11542



	Inch	mm
ID	1/2	12.70
LG	2 17/32	64.29
WD	1 3/8	34.93
H	1 5/16	33.34
HO	1/4	6.35
LG C-C	1 27/32	46.83



Herramienta: Utiliza: 1
Diagrama: Relacionado:
Modelo:
Año:

OEM#

Buje para Palanca de Velocidades Gear Lever Bushing

11611



	Inch	mm
ID	13/16	20.64
OD	1 1/2	38.10
LG	2 5/16	58.74
HO	3/4	19.05
BOLT	3/8-16 UNC	



Herramienta: Utiliza: 1
Diagrama: Relacionado: 11726, 11771, 11771
Modelo:
Año:

OEM#63274 / 23311 / K-3399 / K3399 / M23311

Soporte para Transmisión Transmission Mount

11726



	Inch	mm
ID	5/16	7.94
OD	1 29/32	48.42
LG	5/16	7.94



Herramienta: Utiliza: 2
Diagrama: Relacionado:
Modelo:
Año:

OEM# K221-3941-08

Soporte para Transmisión Transmission Mount

11771



	Inch	mm
ID	5/16	7.94
OD	1 29/32	48.42
LG	15/16	23.81



Herramienta: Utiliza: 2
Diagrama: Relacionado: 11611,
Modelo: 11726, 11726
Año:

OEM# K221-3941-08

Buje para Eje de Dirección Steer Shaft Bushing

11819



	Inch	mm
ID	1 1/32	26.19
LG	3 9/16	90.49
WD	3 9/16	90.49
HO	1	25.40
LG C-C	2 11/16	68.26

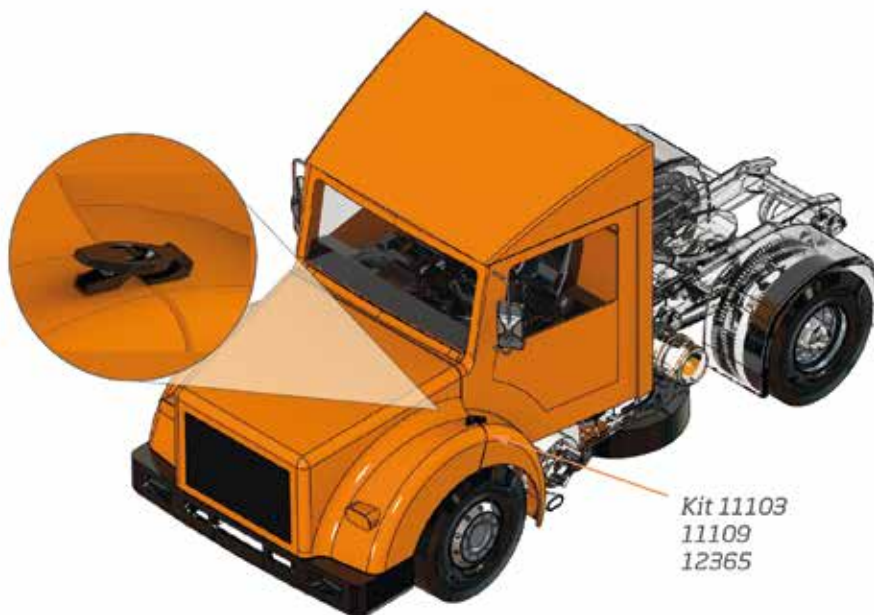


Herramienta: Utiliza: 1
Diagrama: Relacionado: 11611
Modelo: T800, T600,
T660, T680
Año: 2013

OEM# R13-1014

Hood Hook M2 / FLD 112

DG019

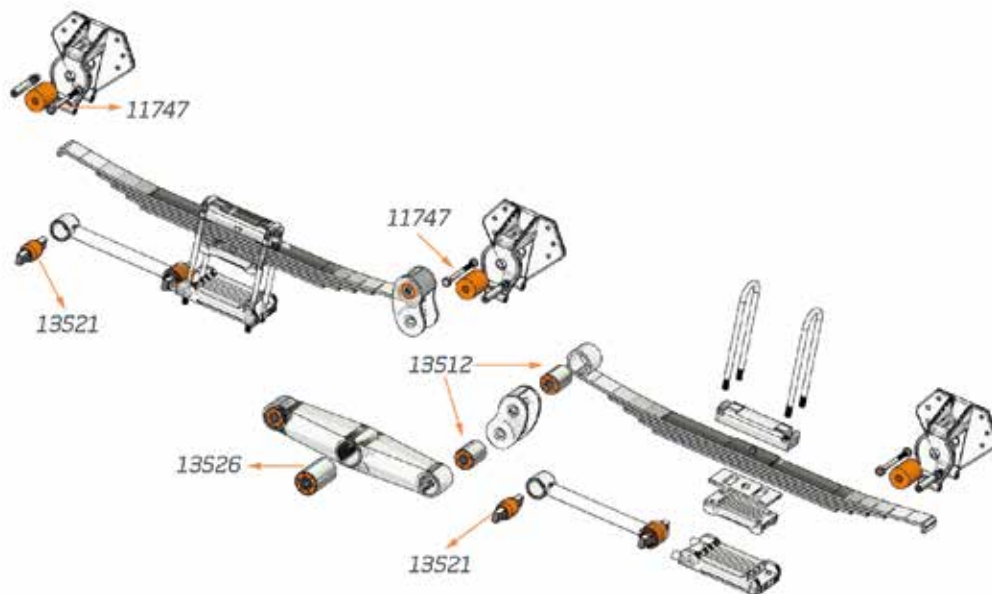


Kit 11103
11109
12365

Códigos GAFF 11103, 11109, 12365

Serie E4-360 / 400

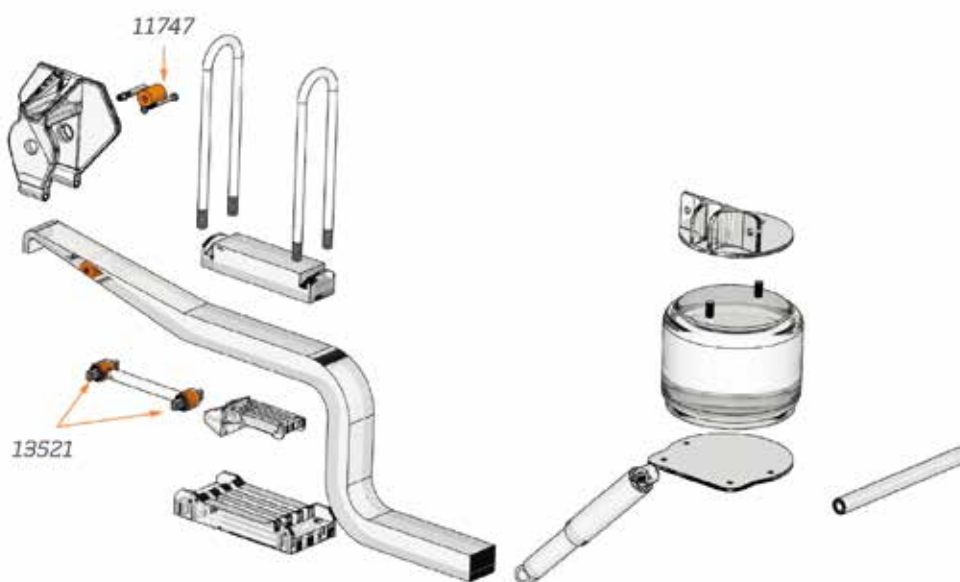
DG040



Códigos GAFF 11747, 13512, 13521, 13526

HA-360 / 400 / 460

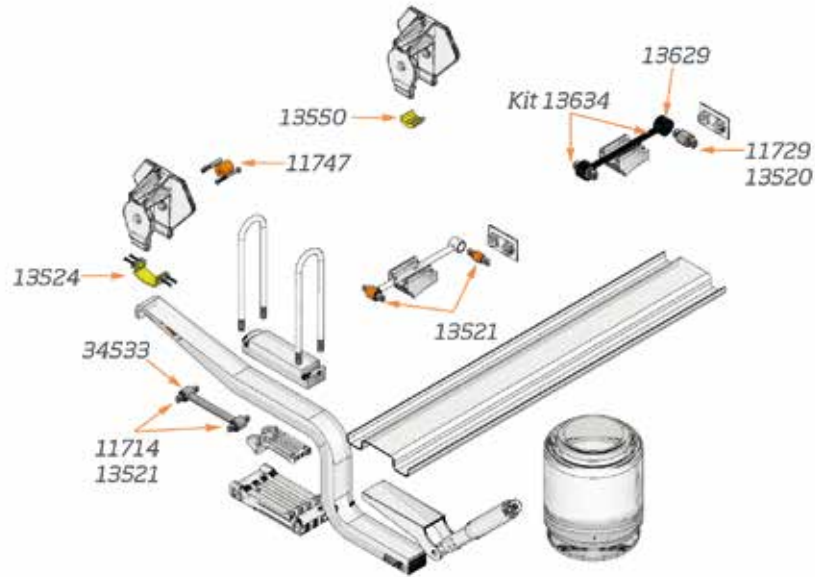
DG041



Códigos GAFF 11747, 13521

HAS 360 / 400 / 402 / 460

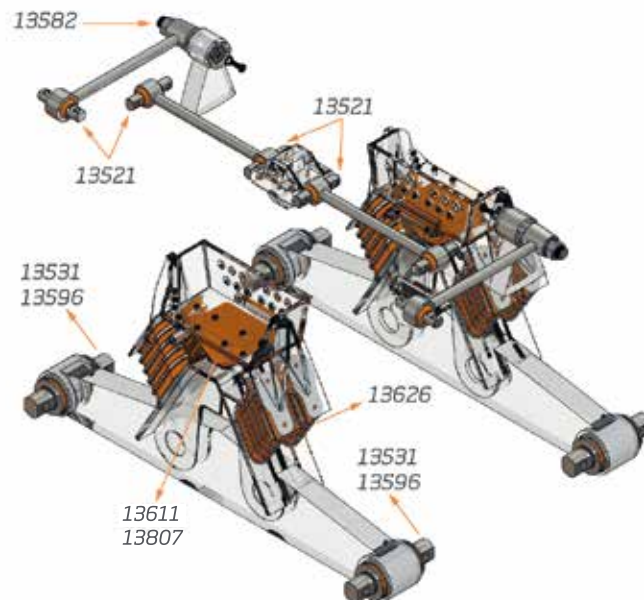
DG042



Códigos GAFF 11714, 11729, 11747, 13520, 13521, 13524, 34533, 13550, 13629, 13634

Haulmaax

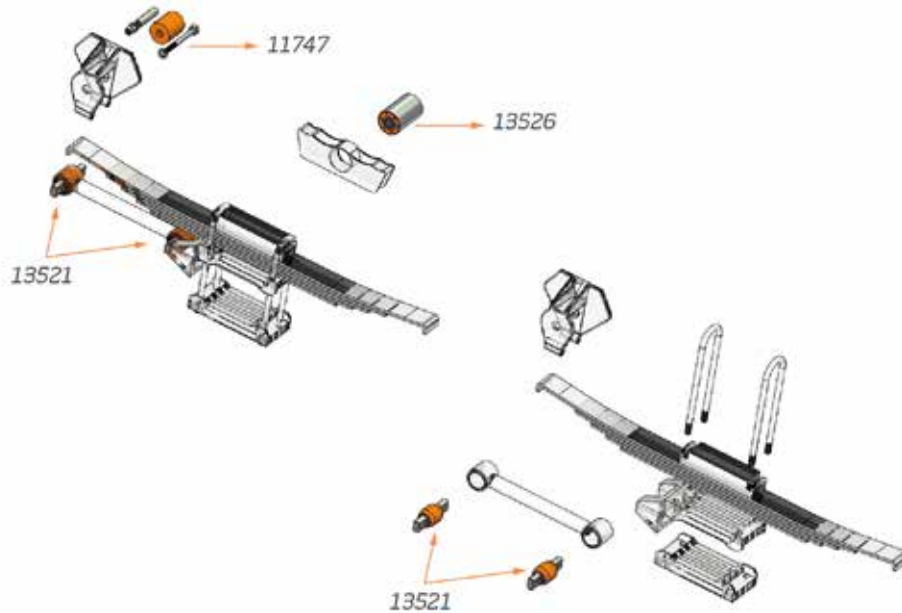
DG043



Códigos GAFF 13521, 13531, 13582, 13596, 13611, 13626, 13807

Series HFS-360 / 400

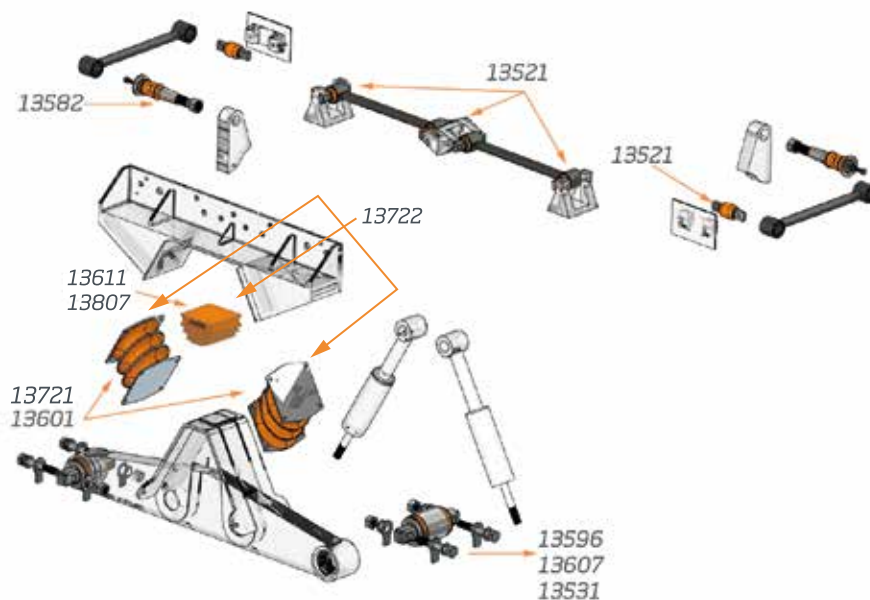
DG044



Códigos GAFF 11747, 13521, 13526

Series HN-402 / 460 / 462 / 522

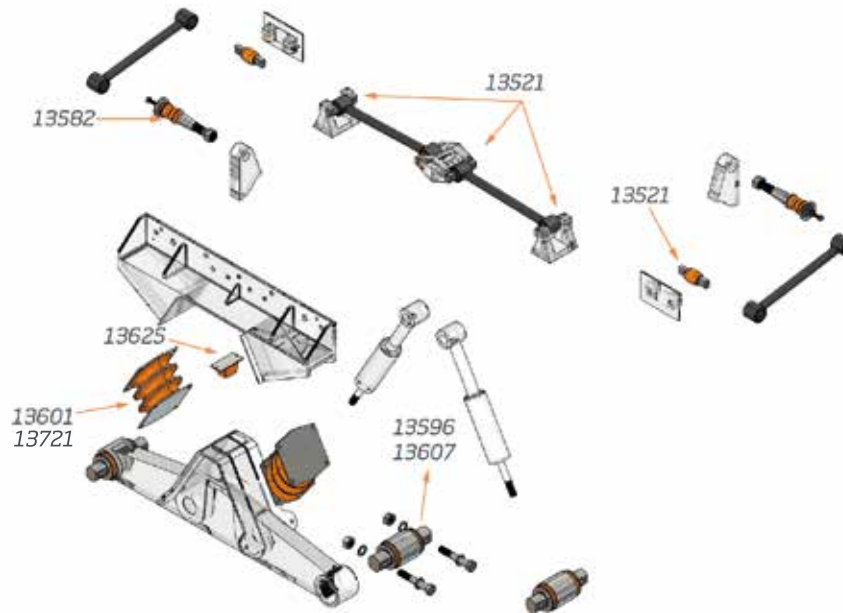
DG045



Códigos GAFF 13521, 13531, 13582, 13596, 13601, 13607, 13611, 13721, 13722, 13807

Series HN.402 / 462

DG046

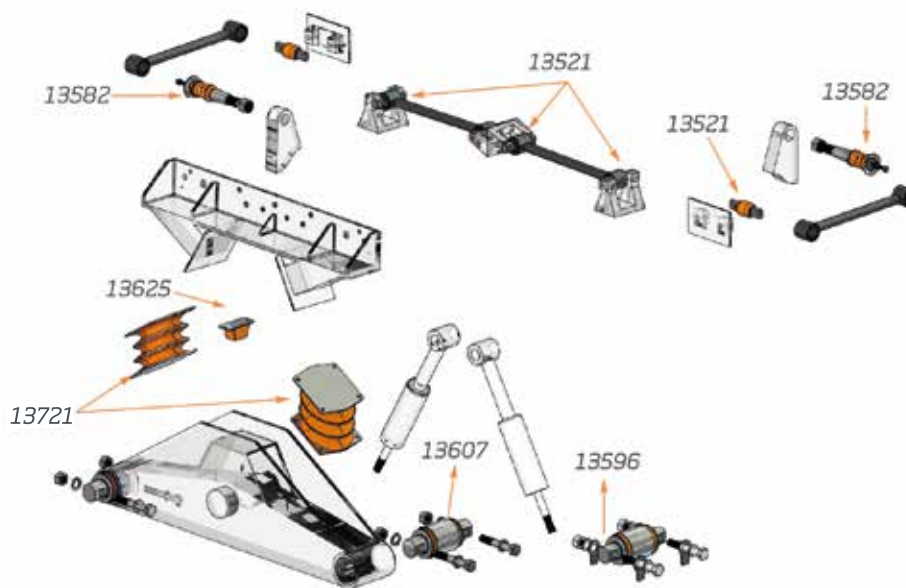


Códigos GAFF

13521, 13582, 13596, 13601, 13607, 13625, 13721

Series HN-460

DG047

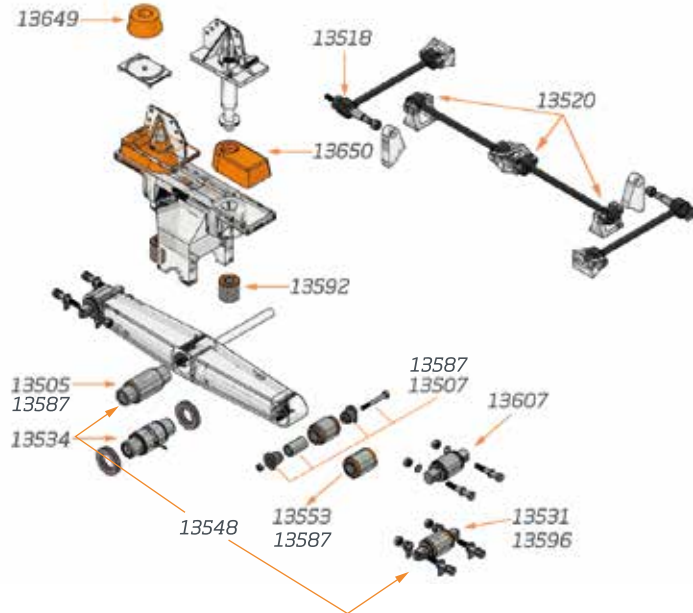


Códigos GAFF

13521, 13582, 13596, 13601, 13607, 13625, 13721

Series RS 400 / 403 / 460 / 463

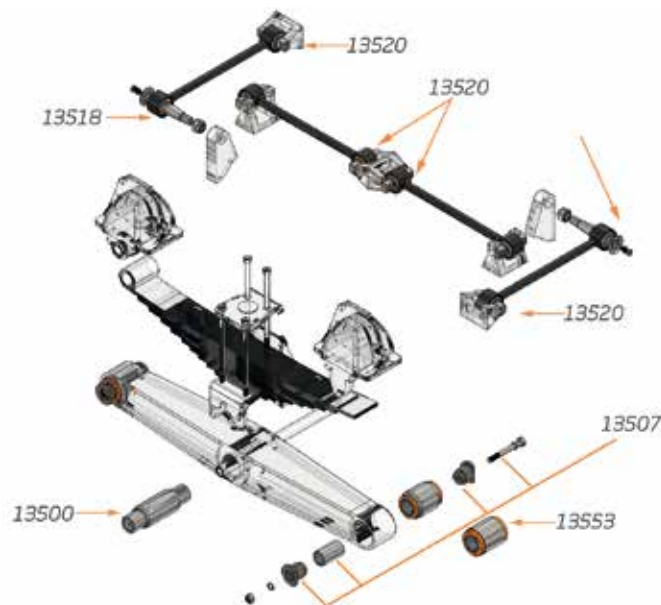
DG049



Códigos GAFF 13505, 13507, 13518, 13520, 13531, 13534, 13548, 13553, 13587, 13592, 13596, 13607, 13649, 13650

Series RT 650

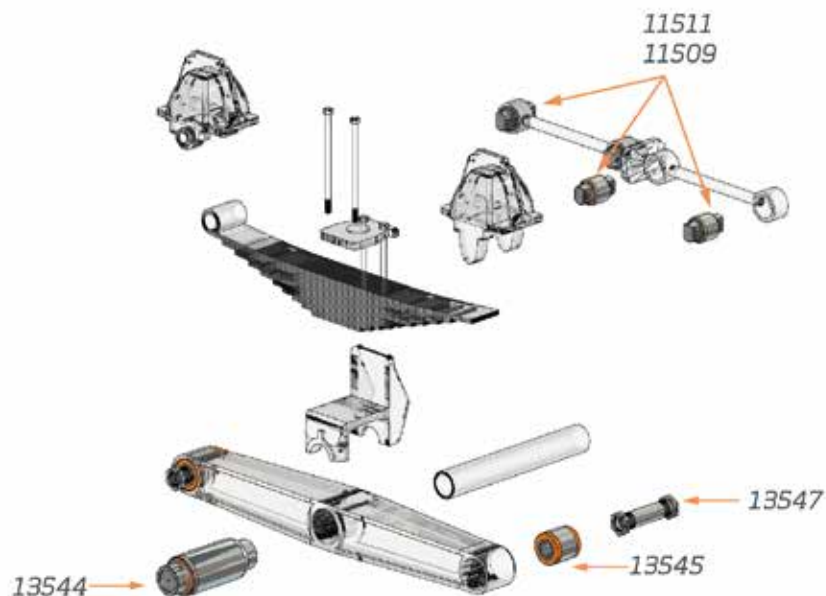
DG050



Códigos GAFF 13500, 13507, 13518, 13520, 13553

Series RT 700

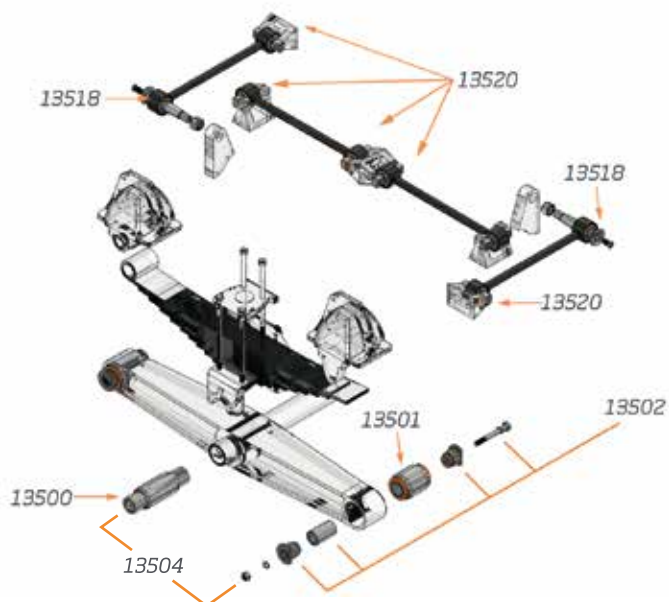
DG051



Códigos GAFF 11509, 11511, 13544, 13545, 13547

Series RT 340

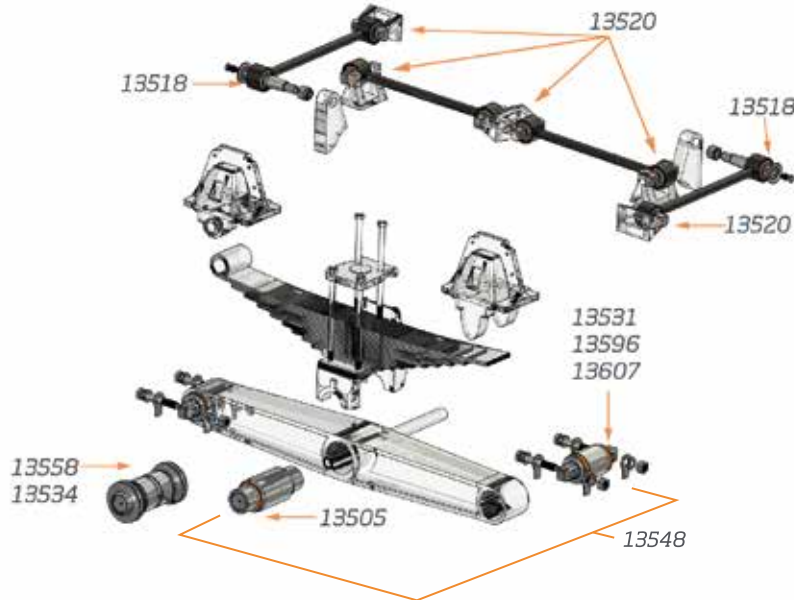
DG053



Códigos GAFF 13500, 13501, 13502, 13504, 13518, 13520

Series RT / RTE 400 / 403 / 460 / 463

DG054



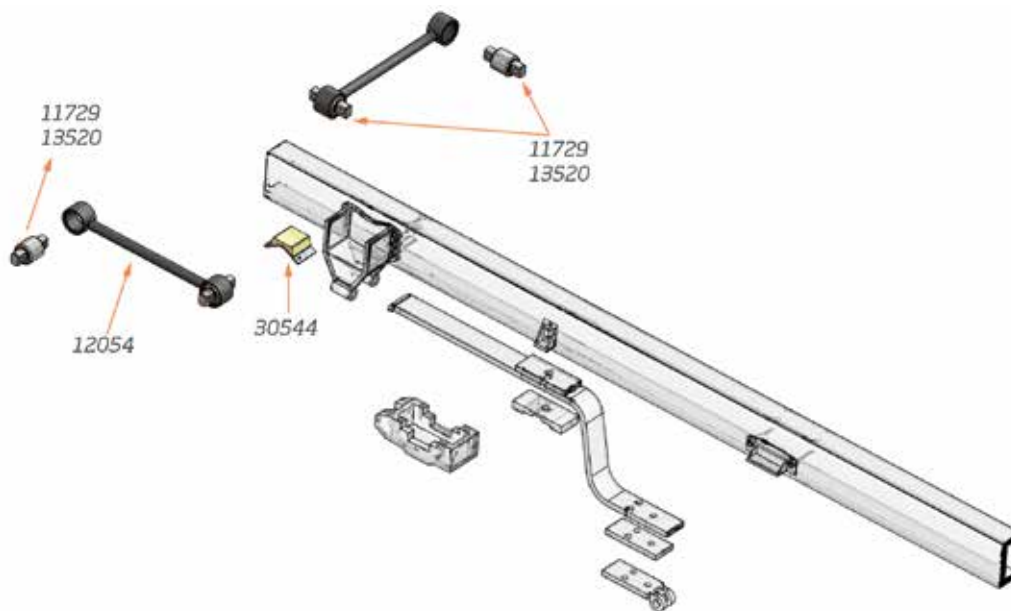
Códigos GAFF

13505, 13518, 13520, 13531, 13534, 13548, 13558, 13596, 13607

13505, 13518, 13520, 13531, 13534, 13548, 13558, 13596, 13607

Tandem Rear Axle

DG065

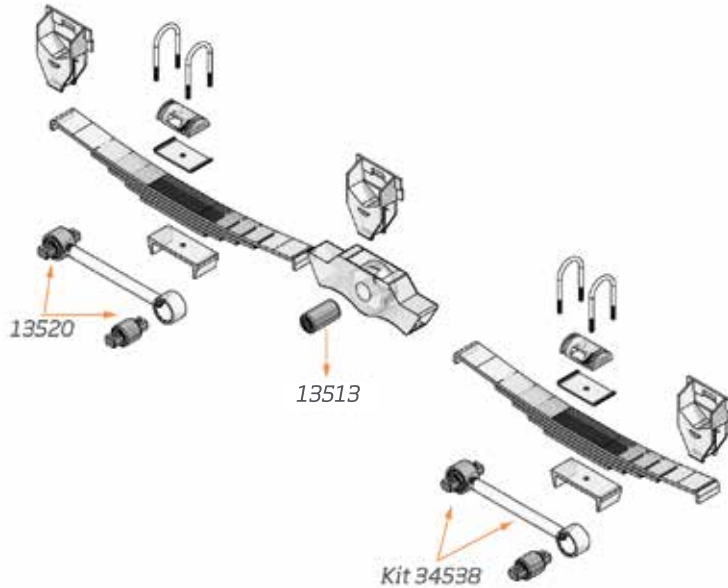


Códigos GAFF

11729, 12054, 13520, 30544

Drive Axle Truck

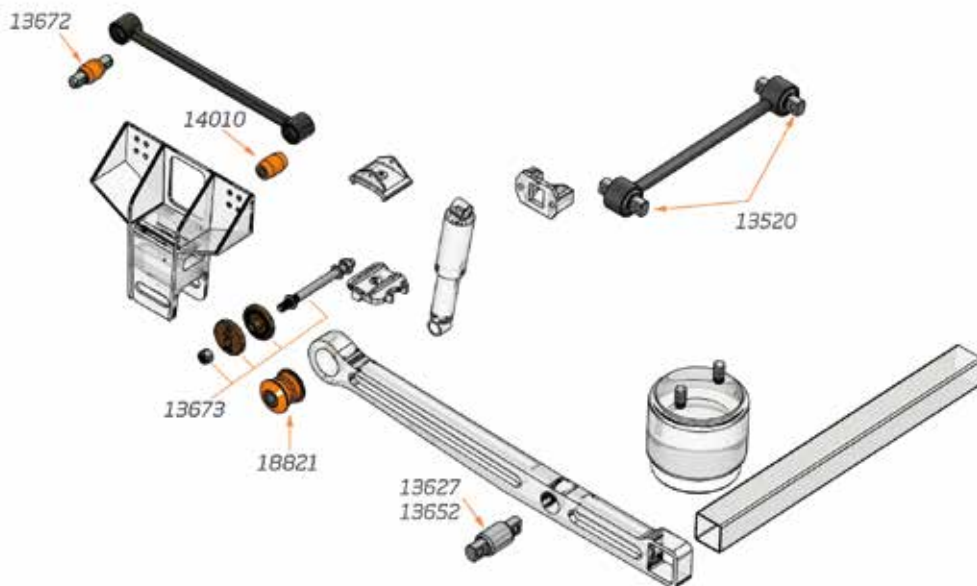
DG066



Códigos GAFF 13513, 13520

Primaax 230 / 460 / 690 8 1/2" a 10"

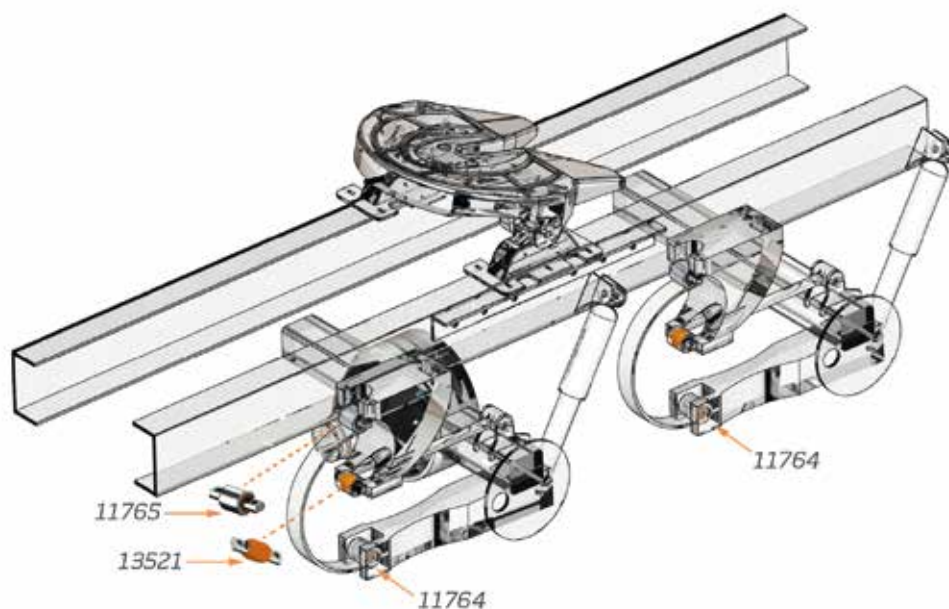
DG068



Códigos GAFF 13520, 13627, 13652, 13672, 13673, 14010, 18821

Serie Airslide 380

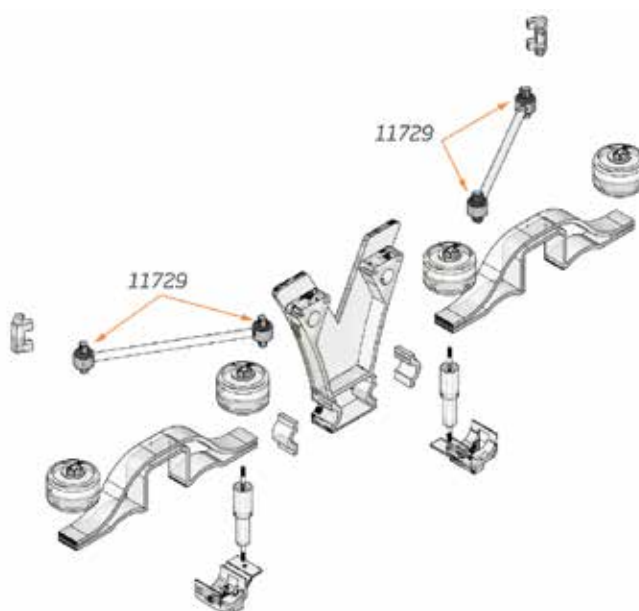
DG069



Códigos GAFF 11764, 11765, 13521

Serie Airslide 460

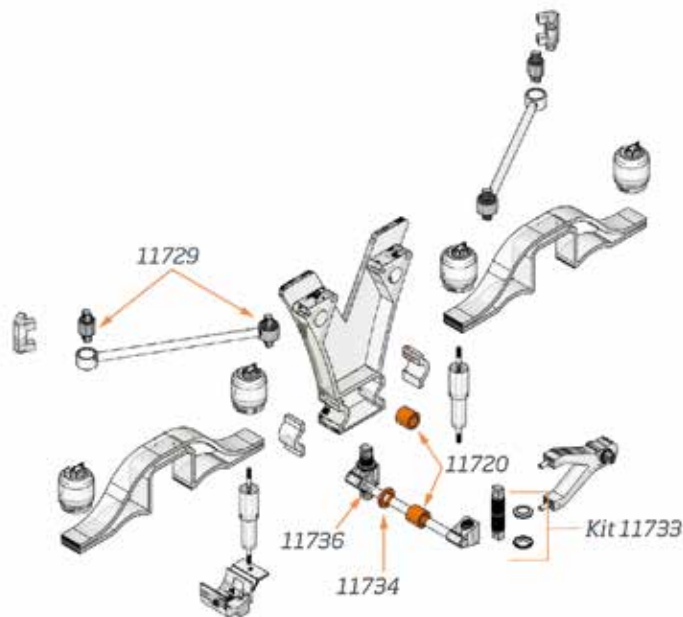
DG070



Códigos GAFF 11729

Serie Airslide 200

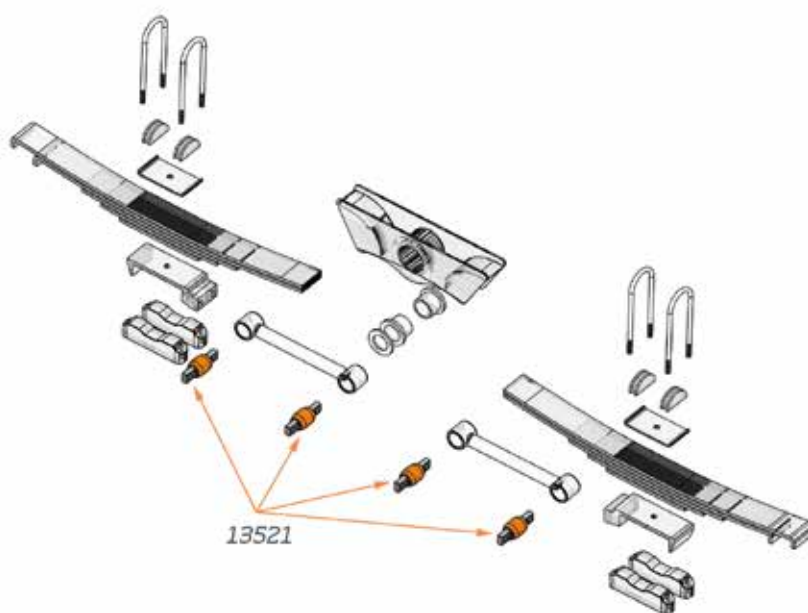
DG073



Códigos GAFF 11720, 11729, 11733, 11734, 11736

4 Muelles

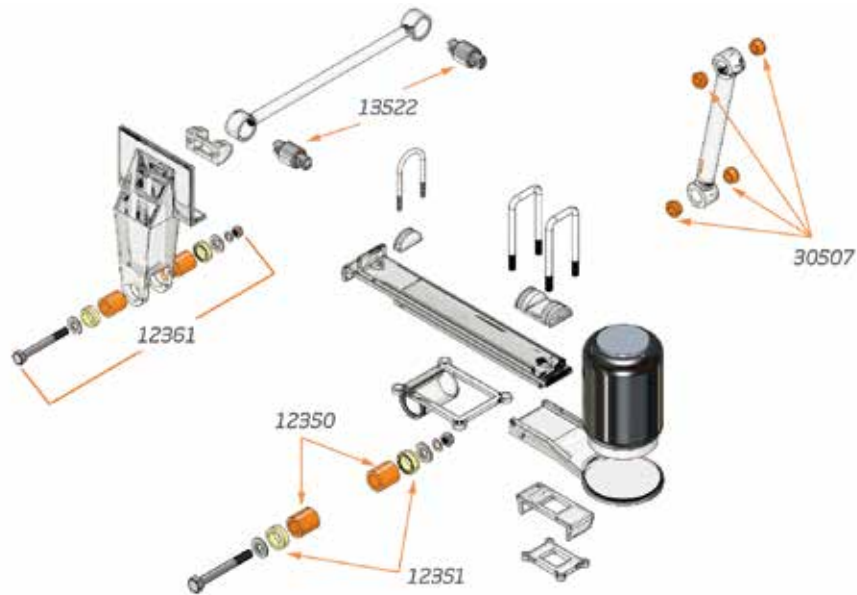
DG096



Códigos GAFF 13521

Air Leaf

DG097

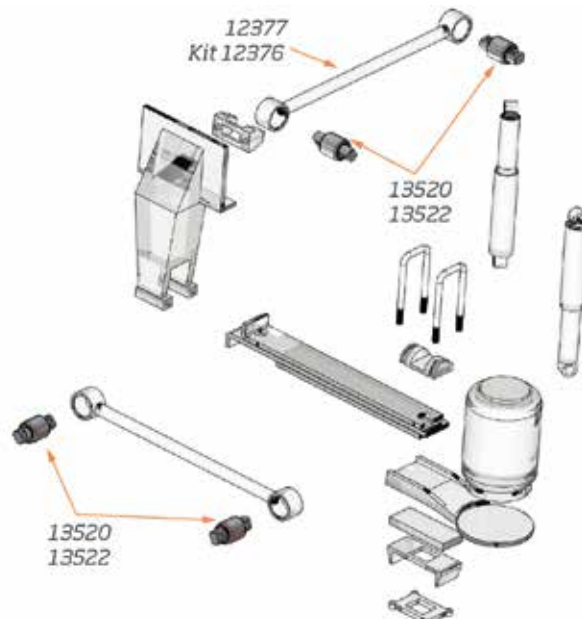


Códigos GAFF

12350, 12351, 12361, 13522, 30507

Air Trac Single

DG098

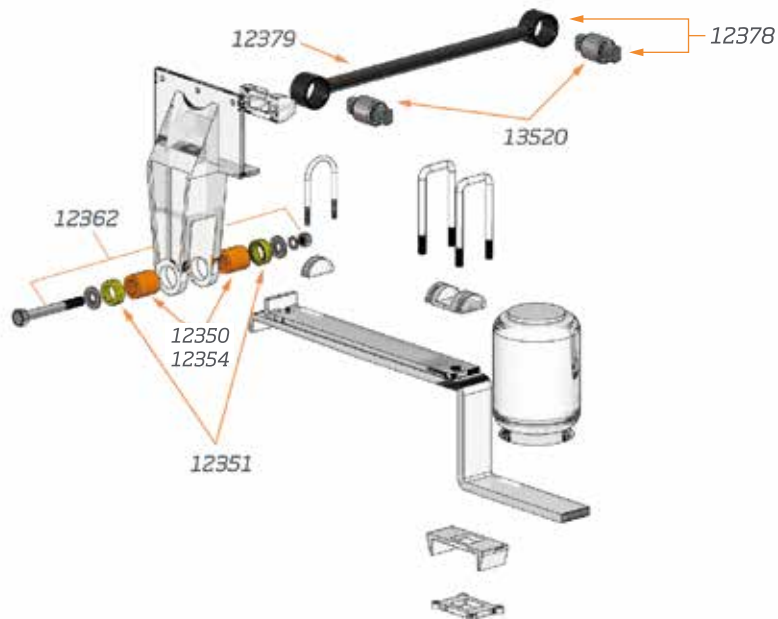


Códigos GAFF

12376, 12377, 13520, 13522

Low Air Leaf

DG099

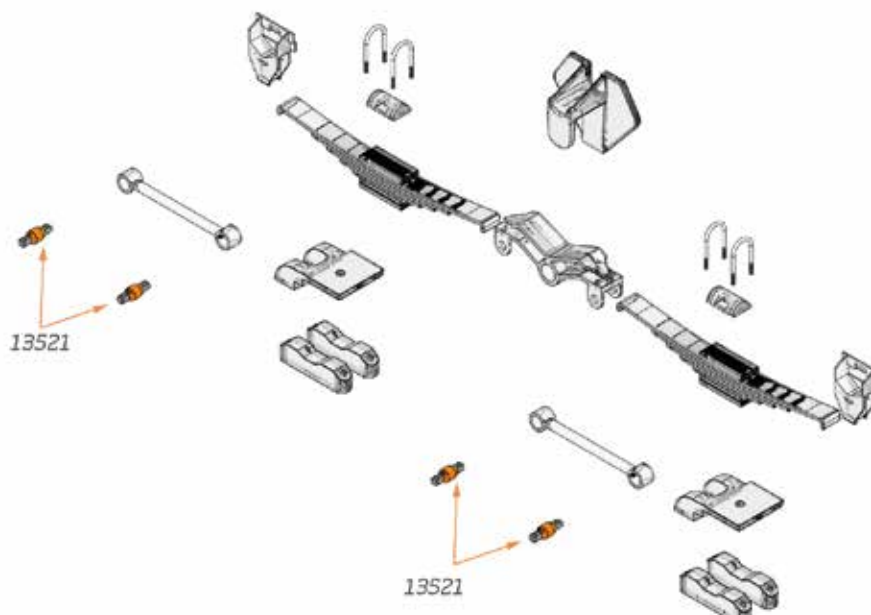


Códigos GAFF

12350, 12351, 12354, 12362, 12378, 12379, 13520

Quadraflex

DG100

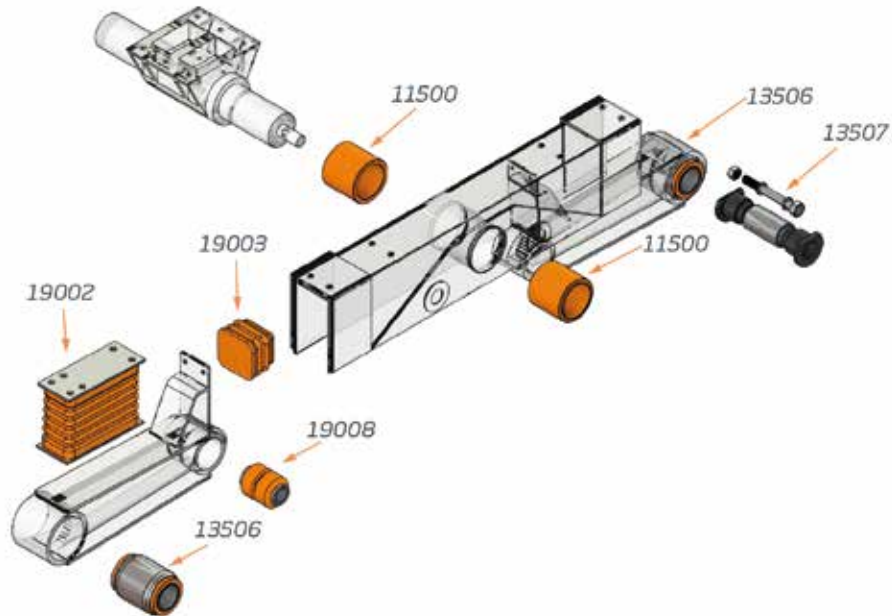


Códigos GAFF

13521

RD-202C-54-44L

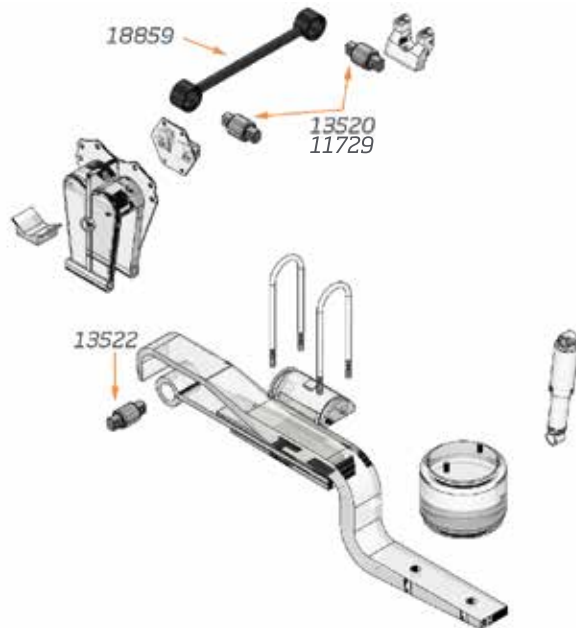
DG120



Códigos GAFF 11500, 13506, 13507, 19002, 19003, 19008

Air Ride

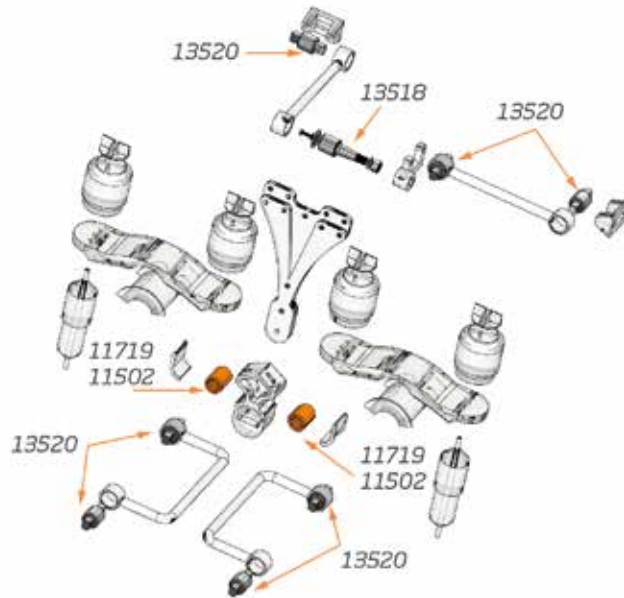
DG128



Códigos GAFF 11729, 13520, 13522, 18859

Serie Airslide 100

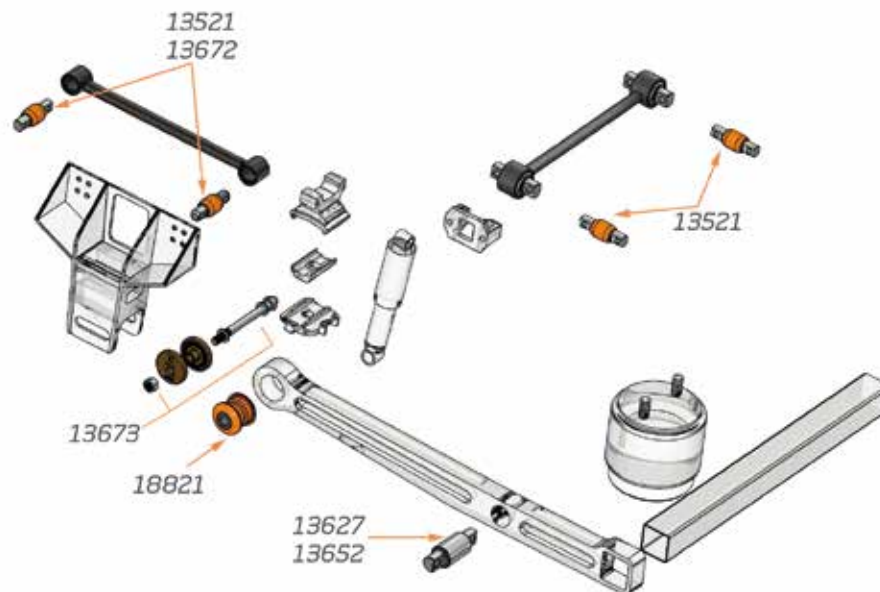
DG134



Códigos GAFF 11502, 11719, 13518, 13520

Primaax EX 262/522/782, Firemax EX 272/542 8 1/2" 10"

DG138



Códigos GAFF 13521, 13627, 13652, 13672, 13673, 18821

Soporte para Radiador

12032

Radiator Mount



	Inch	mm
ID	9/16	14.29
OD	1 7/8	47.63
LG	1 13/16	46.04

Componentes

1 Pz. Soporte Superior para Radiador / 1 Qty. Upper Radiator Mount
1 Pz. Soporte Inferior para Radiador / 1 Qty. Lower Radiator Mount



OEM# 20QL259A

Herramienta: Utiliza: 2
Diagrama: Relacionado: 12049
Modelo:
Año:

Temperatura

Mack Truck

Soporte para Cabina

12004

Cab Mount



	Inch	mm
ID	5/8	15.88
OD	2 5/8	66.68
LG	1 1/2	38.10
OD<	1 3/8	34.93



OEM# 20QL2101

Herramienta: Utiliza: 2
Diagrama: Relacionado: 12084
Modelo:
Año:

Soporte para Cabina

12084

Cab Mount



	Inch	mm
ID	1 1/16	17.46
OD	3 1/8	79.38
LG	5 13/16	147.64
WD	3 1/16	77.79
H	3 7/8	98.43
HO	43/64	17.07
LGC-C	4 5/16	109.54
THR	M16X2	



OEM# 30QS4525AM / 30QS4525M, 2009147

Herramienta: Utiliza: 2
Diagrama: Relacionado:
Modelo: Titan
Año: 2014 - 2016

Cabina

Buje para Bisagra de Cofre

11544

Hood Hinge Bushing



	Inch	mm
ID	17/32	13.49
OD	1 3/4	44.45
LG	1 1/4	31.75
OD<	1 1/4	31.75



OEM# CB1121-10 / K066-B-218 / M300-70NR, CB1121-10

Herramienta: Utiliza: 2
Diagrama: Relacionado: 11557, 11709, 11709
Modelo:
Año:

Base para Gancho de Cofre

11822

Base Hook Left Chest



	Inch	mm
LG	2 11/16	68.26
WD	1 7/8	47.63
HO	9/32	7.14
TK	3/16	4.76



OEM# 25165475 / 3QM314M

Herramienta: Utiliza: 8
Diagrama: Relacionado: 12088
Modelo: CH / CXN / CV
Año: 2013-2015

Cofre

Cofre

Escape

Motor

Gancho para Cofre

Hood Latch

12088

(N) A2

	Inch	mm
LG	12 27/32	326.23
WD	1 7/8	47.63
TK	15/16	23.81

Componentes

01 Pz. HT11102 Remache / 1 Qty. HT11102 Rivet



Herramienta: Utiliza: 2
 Diagrama: Relacionado: 11822, 11768, 11768
 Modelo:
 Año:

OEM# 6367

Soporte para Escape

Exhaust Mount

12357

(✓) A2

	Inch	mm
ID	13/32	10.32
OD	1 5/16	33.34

Componentes

1 Pz. Soporte Superior para Escape / 1 Qty. Upper Exhaust Mount
 1 Pz. Soporte Inferior para Escape / 1 Qty. Lower Exhaust Mount



Herramienta: Utiliza: 2
 Diagrama: Relacionado: 11809, 11810
 Modelo: 330 / 335 / 367 / 377 / 378 / 379 / 386 / 367 / 389 / 579 / 587
 Año:

OEM# 14-14656 / 14-14656U

Soporte para Motor

Motor Mount

12000

(✓) A2

	Inch	mm
ID	3/4	19.05
OD	3 1/4	82.55
LG	1 15/32	37.31
OD<	2	50.80



Herramienta: Utiliza: 2
 Diagrama: Relacionado: 12034, 12035, 12035
 Modelo:
 Año:

OEM# 20QL1118A / 20QL1175

Soporte para Motor

Motor Mount

12002

(*) B

	Inch	mm
ID	29/32	23.02
OD	3 1/2	88.90



Herramienta: Utiliza: 2
 Diagrama: Relacionado: 12004
 Modelo:
 Año:

OEM#

Soporte para Motor

Motor Mount

12023

(*) B

	Inch	mm
ID	7/8	22.23
OD	3 21/32	92.87
OD<	2 5/16	58.74



Herramienta: Utiliza: 2
 Diagrama: Relacionado: 12026
 Modelo:
 Año:

OEM# 20QK324M

Kit Soporte para Motor

Motor Mount Kit

12034

(✓) A5

	Inch	mm
LG	6 1/2	165.10
BOLT	3/4-16 UNF	

Componentes

8 Pzs. 12000 Soporte para Motor / 8 Qty. 12000 Motor Mount
 4 Pzs. HT00023 Tornillo / 4 Qty. HT00023 Bolt
 4 Pzs. HT00016-2 Tuerca tipo Gripco / 4 Qty. HT00016-2 Nylon Insert Nut
 8 Pzs. HL110 Arandela / 8 Qty. HL110 Washer



Herramienta: Utiliza: 1
 Diagrama: Relacionado: 12000, 12035, 12035
 Modelo:
 Año:

OEM# 204SX216, KT62-62216

Kit Soporte Trasero para Motor

Motor Mount Kit, Rear

12035

(✓) A3

	Inch	mm
LG	5	127.00
BOLT	3/4-16 UNF	

Componentes

8 Pzs. 12000 Soporte para Motor / 8 Qty. 12000 Motor Mount
 4 Pzs. HT00015-1 Tornillo / 4 Qty. HT00015-1 Bolt
 4 Pzs. HT00016-2 Tuerca tipo Gripco / 4 Qty. HT00016-2 Nylon Insert Nut
 8 Pzs. HL110 Arandela / 8 Qty. HL110 Washer



Herramienta: Utiliza: 1
 Diagrama: Relacionado: 12000, 12034, 12034
 Modelo:
 Año:

OEM# 204SX389, KT62-62389

Soporte Delantero para Motor

Motor Mount, Front

12045

(*) B

	Inch	mm
ID	5/8	15.88
LG	6 23/32	170.66
WD	3	76.20
LG C-C	3 3/4	95.25

Componentes

1 Pz. Soporte Superior para Motor / 1 Qty. Upper Motor Mount
 1 Pz. Soporte Inferior para Motor / 1 Qty. Lower Motor Mount



Herramienta: Utiliza: 2
 Diagrama: Relacionado: 11074
 Modelo: CH Models
 Año:

OEM# 20QL329

Soporte Delantero para Motor Motor Mount, Front

12046



A5

	Inch	mm
ID	1 1/16	17.46
OD	2 11/16	68.26
LG	1 5/32	29.37
OD <	1 7/16	36.51



Herramienta: Utiliza: 2
Diagrama: Relacionado: 12002,
Modelo: Serie RD Motor 12023, 12045, 12047,
M400 12372, 18786
Año: 2000

OEM#20QL312M2

Soporte para Motor Motor Mount

12047



B

	Inch	mm
ID	2 1/32	16.76
OD	2 5/8	66.68

Componentes

2 Pzs. 12046 LP Soporte Delantero para Motor / 2 Qty. 12046 LP Motor Mount, Front
1 Pz. Espaciador / 1 Qty. Spacer Sleeve



Herramienta: Utiliza: 2
Diagrama: Relacionado: 12372
Modelo:
Año:

OEM#20QL313M

Soporte Trasero para Motor Motor Mount, Rear

12372



B

	Inch	mm
WD	3 1/2	88.90
HO	9/16	14.29
LG C-C	10 7/16	265.11
THD	1 1/4-12 UNF	
BOLT	3/4-16 UNF	



Herramienta: Utiliza: 2
Diagrama: Relacionado: 12047
Modelo: GRANITE / CH
Año:

OEM#20QL338M

Kit Barra de Torsión Torque Rod Kit

11152



B

	Inch	mm
LG C-C	24 1/2	622.30

Componentes

1 Pz. 11156 Barra de Torsión / 1 Qty. 11156 Torque Rod
2 Pzs. 13520 Bujes para Barra de Torsión / 2 Qty. 13520 Torque Rod Bushing



Herramienta: 18551 / Utiliza: 2
18833 / 40131
Diagrama: Relacionado: 11156,
Modelo: 13520, 13520
Año:

OEM#25164947 /
17QF460P245, 16-15632-
000 / 16-18972-000

Barra de Torsión Torque Rod

11156



B

	Inch	mm
ID	2 3/4	69.85
LG C-C	24 1/2	622.30



Herramienta: 18551 / Utiliza: 2
18833 / 40131
Diagrama: Relacionado: 13520,
Modelo: 11152, 11152
Año:

OEM#17QF460P245

Soporte para Suspensión Suspension Mount

12006



A3

	Inch	mm
LG	6 9/16	166.69
WD	4 11/32	110.33
H	2 3/8	60.33



Herramienta: Utiliza: 4
Diagrama: DG071 Relacionado: 12039,
Modelo: SS34-38 12009
Camelback
Año:

OEM#10QK365A

Soporte Inferior para Suspensión Suspension Mount Lower

12009



B

	Inch	mm
LG	7 25/32	197.64
WD	7 25/32	197.64
H	4	101.60



Herramienta: Utiliza: 4
Diagrama: DG072, Relacionado: 12039,
DG074 12006
Modelo:
Año:

OEM#10QK372 / 10QK389

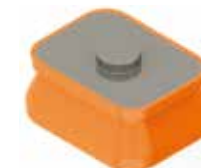
Soporte para Suspensión Suspension Mount

12010



A3

	Inch	mm
LG	6 1/2	165.10
WD	5 3/16	131.76
H	3	76.20



Herramienta: Utiliza: 4
Diagrama: DG137 Relacionado: 12014,
Modelo: Series SWS 573 12036, 12036
Año:

OEM#10QK370

Motor

Suspensión

Suspensión

Soporte Inferior para Suspensión 12014

Suspension Mount Lower A2

	Inch	mm
LG	7 5/32	181.77
WD	7	177.80
H	3 25/32	96.04



Herramienta: Utiliza: 4
Diagrama: DG071, Relacionado: 12010, 12036, 12036
Modelo: Series SS34 / 38 / Series SWS 573
Año: OEM# 10QK 36B / 10QK388

Buje para Muñón 12015

Trunnion Bushing B

	Inch	mm
ID	3 7/16	87.31
OD	4 11/16	119.06
LG	6 9/32	159.54



Herramienta: Utiliza: 2
Diagrama: DG071, Relacionado: 12005, 12014, 12014, 12039
Modelo:
Año: OEM# 10QK219P2 / 10QK276 / 25161976

Buje para Muñón 12028

Trunnion Bushing A4

	Inch	mm
ID	3 7/16	87.31
OD	4 7/16	112.71
LG	8 3/8	212.73



Herramienta: Utiliza: 2
Diagrama: Relacionado: 12031
Modelo:
Año: OEM# 10QK130P1

Buje para Barra de Torsión 12031

Torque Rod Bushing A4

	Inch	mm
OD	2 3/4	69.85
LG	7	177.80
THR	1 1/4-12 UNF	
THD	1 1/4-12 UNF	
BOLT	5/8-18 UNF	



Herramienta: Utiliza: 2
Diagrama: Relacionado: 12072, 13528, 13528, 11729, 13520
Modelo: SS34-38, Camelback
Año: 2000
 OEM# 46735 / 64400-007L, 1688-229240 / 1693064C1

Kit Soporte para Suspensión 12036

Suspension Mount Kit A5

	Inch	mm
BOLT	7/8-9 UNC	



Componentes
 4 Pzs. 12010 Soporte para Suspensión / 4 Qty. 12010 Suspension Mount
 4 Pzs. 12014 Soporte Inferior para Suspensión / 4 Qty. 12014 Suspension Mount Lower
 4 Pzs. 13599TU Tuerca tipo Gripco / 4 Qty. 13599TU Nylon Insert Nut
 1 Pz. HT00050 Tuerca Gripco / 1 Qty. HT00050 Nylon Insert Nut
 2 Pzs. HT00051 Arandela / 2 Qty. HT00051 Washer
 4 Pzs. HT00048 Tornillo / 4 Qty. HT00048 Bolt

Herramienta: Utiliza: 1
Diagrama: DG137, Relacionado: 12010, 12014, 12014
Modelo: Series SS34 / 38 / Series SWS 573
Año: OEM# 10QK370, 10QK 36B / 10QK388

Kit Soporte para Suspensión 12039

Bolster Spring Kit A5

	Inch	mm
BOLT	7/8-9 UNC	



Componentes
 4 Pzs. 12006 Soporte para Suspensión / 4 Qty. 12006 Suspension Mount
 4 Pzs. 12014 Soporte Inferior para Suspensión / 4 Qty. 12014 Lower Mount for Suspension
 1 Pz. 12083 Kit de Tornillería / 1 Qty. 12083 Bolt kit

Herramienta: Utiliza: 1
Diagrama: DG071, Relacionado: 12014
Modelo: SS 34-44 Series; SW / ST34 Series
Año: OEM# 25125064, 10QK367 / 10QK36B / 10QK36C / 10QK388, 10QK365A

Buje para Muelle 12041

Spring Bushing B

	Inch	mm
OD	1 29/32	48.42
LG	3 3/4	95.25
LG C-C	5 15/32	138.91



Herramienta: Utiliza: 4
Diagrama: Relacionado: 12043
Modelo:
Año: OEM# 10QK254M / 10KK254

Kit Barra de Torsión 12042

Torque Rod Kit B

	Inch	mm
LGC-C	26	660.40
THR	1 1/4-12 UNF	
THD	1 1/4-12 UNF	
BOLT	5/8-18 UNF	



Componentes
 1 Pz. 13590 Barra de Torsión / 1 Qty. 13590 Torque Rod
 1 Pz. 13520 Buje para Barra de Torsión / 1 Qty. 13520 Torque Rod Bushing
 1 Pz. 12031 Buje para Barra de Torsión / 1 Qty. 12031 Torque Rod Bushing

Herramienta: Utiliza: 2
Diagrama: Relacionado: 13590, 13520, 13520
Modelo: VNL / VNM / NL
Año: OEM# 35801-5018

Buje para Muelle Spring Bushing

12043



	Inch	mm
ID	31/32	24.61
OD	1 29/32	48.42
LG	3 13/32	86.52



Herramienta: Utiliza: 2
Diagrama: Relacionado: 12041
Modelo:
Año:

OEM# 10QK253M, 171AM8 / 43RU297M

Kit Barra de Torsión Torque Rod Kit

12044



	Inch	mm
LG C-C	26	660.40

Componentes

1 Pz. 13590 Barra de Torsión / 1 Qty. 13590 Torque Rod
2 Pzs. 13520 Buje para Barra de Torsión / 2 Qty. 13520 Torque Rod Bushing



Herramienta: Utiliza: 2
Diagrama: Relacionado: 13590,
Modelo: VNL / VNM / NL 13520, 13520
Año:

OEM# 35801-5012

Buje para Barra de Torsión Torque Rod Bushing

12051



	Inch	mm
OD	1 15/16	49.21
HO	21/32	16.67
LG C-C	4 13/32	111.92
OD <	1 21/32	42.07



Herramienta: Utiliza: 4
Diagrama: Relacionado: 11004
Modelo:
Año:

OEM# SS-R0035P240

Soporte Inferior para Suspensión Suspension Mount Lower

12053



	Inch	mm
LG	7 15/32	189.71
WD	6 3/16	157.16
H	3 3/4	95.25



Herramienta: Utiliza: 4
Diagrama: DG072,
DG074
Modelo:
Año:

OEM# 10QK32BP1

Kit Barra de Torsión Torque Rod Kit

12069



	Inch	mm
LG C-C	21	533.40

Componentes

1 Pz. 12075 Barra de Torsión / 1 Qty. 12075 Torque Rod
2 Pzs. 13520 Buje para Barra de Torsión / 2 Qty. 13520 Torque Rod Bushing



Herramienta: Utiliza: 2
Diagrama: Relacionado: 12075,
13520, 13520
Modelo: Mack Air
Año: 2007-2010

OEM# 25170832

Kit Barra de Torsión Torque Rod Kit

12070



	Inch	mm
LG C-C	20	508.00

Componentes

1 Pz. 12076 Barra de Torsión / 1 Qty. 12076 Torque Rod
2 Pzs. 13520 Buje para Barra de Torsión / 2 Qty. 13520 Torque Rod Bushing



Herramienta: Utiliza: 2
Diagrama: Relacionado: 12076,
13520, 13520
Modelo: Mack Air
Año: 2009-2011

OEM# 25170831

Kit Barra de Torsión Torque Rod Kit

12071



	Inch	mm
LG C-C	24 3/16	614.36

Componentes

1 Pz. 12077 Barra de Torsión / 1 Qty. 12077 Torque Rod
2 Pzs. 13520 Buje para Barra de Torsión / 2 Qty. 13520 Torque Rod Bushing



Herramienta: Utiliza: 2
Diagrama: Relacionado: 12077,
13520, 13520
Modelo: Mack Air
Año: 2008-2010

OEM# 25170833

Kit Barra de Torsión Torque Rod Kit

12072



	Inch	mm
LG C-C	18	457.20
THR	1 1/4-12 UNF	
THD	1 1/4-12 UNF	
BOLT	5/8-18 UNF	

Componentes

1 Pz. 12078 Barra de Torsión / 1 Qty. 12078 Torque Rod
1 Pz. 13520 Buje para Barra de Torsión / 1 Qty. 13520 Torque Rod Bushing
1 Pz. 12031 Buje para Barra de Torsión / 1 Qty. 12031 Torque Rod Bushing



Herramienta: Utiliza: 2
Diagrama: Relacionado: 12078,
13520, 13520
Modelo: Mack Air
Año: 2010-2011

OEM# 25162529

Suspensión

Barra de Torsión 12075

Torque Rod * B

ID	Inch	mm
LG C-C	2 3/4	69.85
	21	533.40



Herramienta: Utiliza: 2
 Diagrama: Relacionado: 12069, 13520, 13520
 Modelo: Mack Air
 Año: 2007-2010

OEM# 25170832

Barra de Torsión 12076

Torque Rod * B

ID	Inch	mm
LG C-C	2 3/4	69.85
	20	508.00



Herramienta: Utiliza: 2
 Diagrama: Relacionado: 12070, 13520, 13520
 Modelo: Mack Air
 Año: 2009-2011

OEM# 25170831

Barra de Torsión 12077

Torque Rod * B

ID	Inch	mm
LG C-C	2 3/4	69.85
	24 3/16	614.36



Herramienta: Utiliza: 2
 Diagrama: Relacionado: 12071, 13520, 13520
 Modelo: Mack Air
 Año: 2008-2010

OEM# 25170833

Barra de Torsión 12078

Torque Rod * B

ID	Inch	mm
LG C-C	2 3/4	69.85
	18	457.20



Herramienta: Utiliza: 2
 Diagrama: Relacionado: 12072, 13520, 13520
 Modelo: Mack Air
 Año: 2010-2011

OEM# 25162529

Buje para Barra de Torsión 13520

Torque Rod Bushing ✓ A2

OD	Inch	mm
HO	2 3/4	69.85
LG C-C	21/32	16.67
	4 3/8	111.13



Herramienta: 40131 / 18551 / 18833
 Diagrama: DG042, DG049, DG050, DG053, DG054, DG065, DG066, DG068, DG098, DG099, DG126, DG134
 Modelo: Series RS 400/ 403/ 460/ 463/ Series RT 380/ 440/ Series RT 340/ Series RS/ RTE 400/ 403/ 460/ 463

Utiliza: 12
 Relacionado: 13518, 13522, 13522, 11714, 13536, 13582, 13618
 Año:
 OEM# 44695-000L / 227720 / 836940 / 839310, 44695 / 64400-002L / 66649-002, 1693061C1, 1688-227720, 02-27720 / 227720

Barra de Torsión Ajustable 13590

Torque Rod Assembly ✓ A4

ID	Inch	mm
LG C-C	2 3/4	69.85
	26	660.40



Herramienta: Utiliza: 2
 Diagrama: Relacionado: 13520, 12031, 12031, 12044
 Modelo:
 Año:

OEM# IPC928661

Kit Barra de Torsión 31137

Torque Rod Kit * B

LG C-C	Inch	mm
	22 1/8	561.98



Componentes
 1 Pz. 31138 Barra de Torsión / 1 Qty. 31138 Torque Rod
 2 Pzs. 13677 Buje para Barra de Torsión / 2 Qty. 13677 Torque Rod Bushing
 2 Pzs. HV00032 Cubre Polvo / 2 Qty. HV00032 Cover Dust
 2 Pzs. HV00049 Grasera / 2 Qty. HV00049 Oil Pivot

Herramienta: Utiliza: 2
 Diagrama: Relacionado: 31138
 Modelo: VNL 780
 Año: 2015 - 2016

OEM# 3187322 / 358010068 / 8071513, 20396154 / 20434482

Barra de Torsión 31138

Torque Rod * B

ID	Inch	mm
LG C-C	2 3/4	69.85
	22 1/8	561.98



Herramienta: Utiliza: 2
 Diagrama: Relacionado: 31137
 Modelo:
 Año:

OEM#

Soporte para Radiador Radiator Mount

12026



	Inch	mm
ID	5/8	15.88
OD	2 1/2	63.50
LG	2 1/2	63.50

Componentes

1 Pz. Soporte Superior para Radiador / 1 Qty. Upper Radiator Mount
1 Pz. Soporte Inferior para Radiador / 1 Qty. Lower Radiator Mount



OEM# 20QL295 / 25121334

Herramienta: Utiliza: 2
Diagrama: Relacionado: 12032
Modelo:
Año:

Soporte para Enfriador de Aire Air Cooler Mount

12049



	Inch	mm
ID	3/8	9.53
OD	1 9/32	32.54
LG	1 1/16	26.99



OEM# 20QL-37P3, PAI-4678

Herramienta: Utiliza: 2
Diagrama: Relacionado: 12047
Modelo:
Año:

Soporte para Radiador Radiator Mount

12408



	Inch	mm
ID	17/32	13.49
OD	1 1/32	26.19
LG	1 7/32	30.96
OD<	1 11/32	34.13

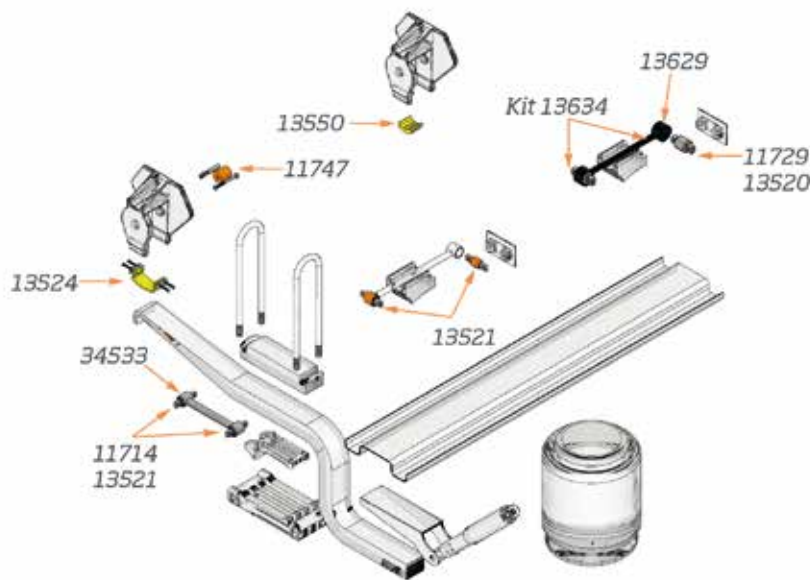


OEM# 07-05861, 07-05861-2

Herramienta: Utiliza: 2
Diagrama: Relacionado: 11523, 12366, 12366
Modelo: 357 / 377-379 / 385
Año:

Has 360 / 400 / 402 / 460

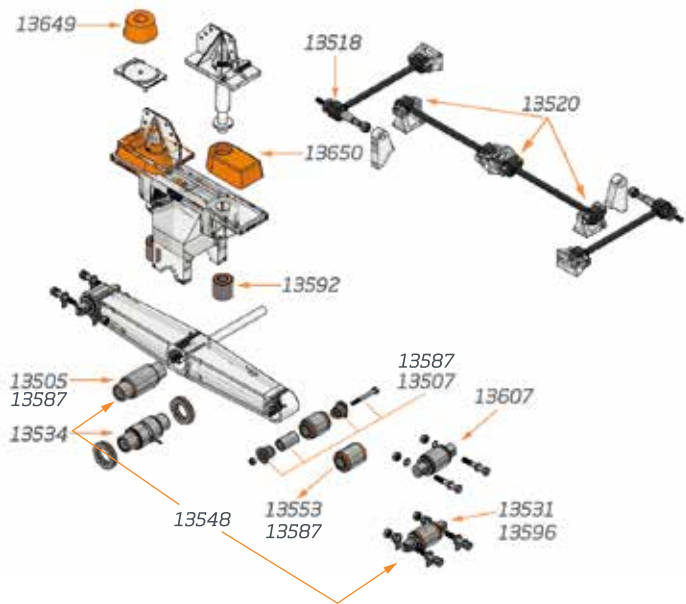
DG042



Códigos GAFF 11714, 11729, 11747, 13520, 13521, 13524, 34533, 13550, 13629, 13634

Series RS 400 / 403 / 460 / 463

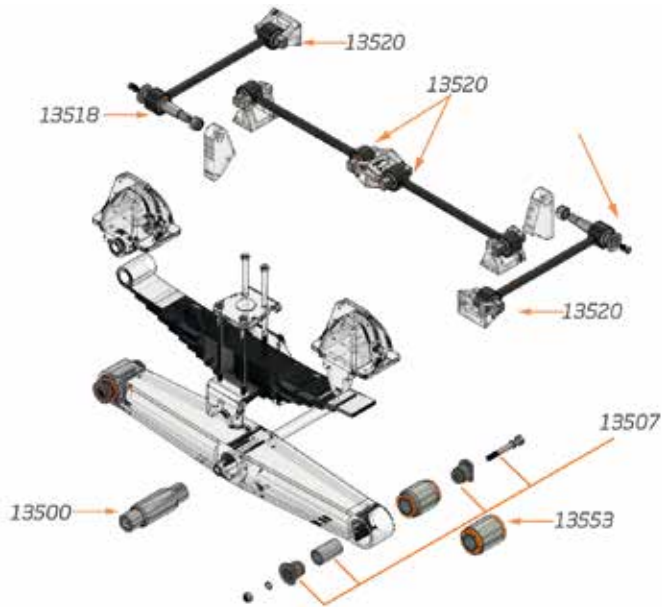
DG049



Códigos GAFF 13505, 13507, 13518, 13520, 13531, 13534, 13548, 13553, 13587, 13592, 13596, 13607, 13649, 13650

Serie RT-650

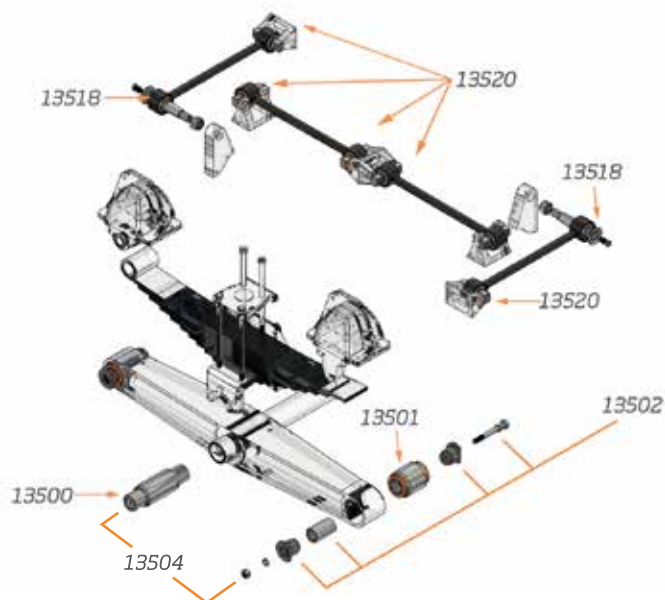
DG050



Códigos GAFF 13500, 13507, 13518, 13520, 13553

Serie RT-340

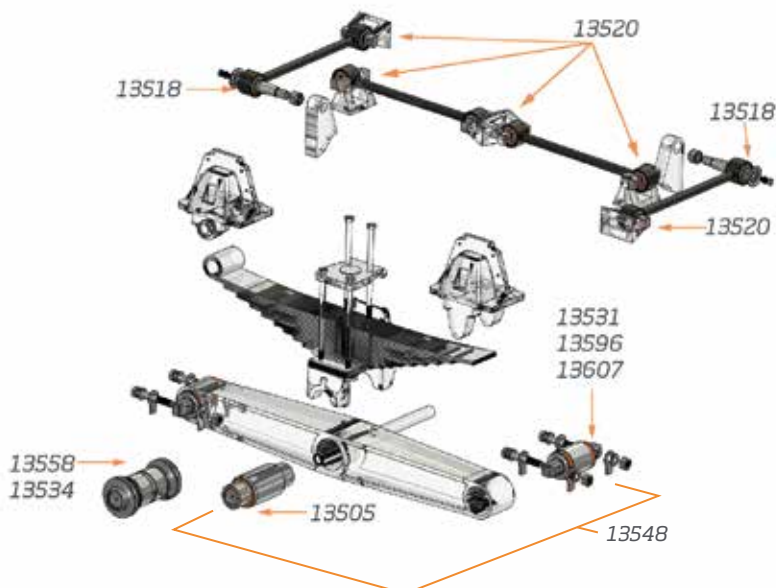
DG053



Códigos GAFF 13500, 13501, 13502, 13504,
13518, 13520

Series RT / RTE 400 / 403 / 460 / 463

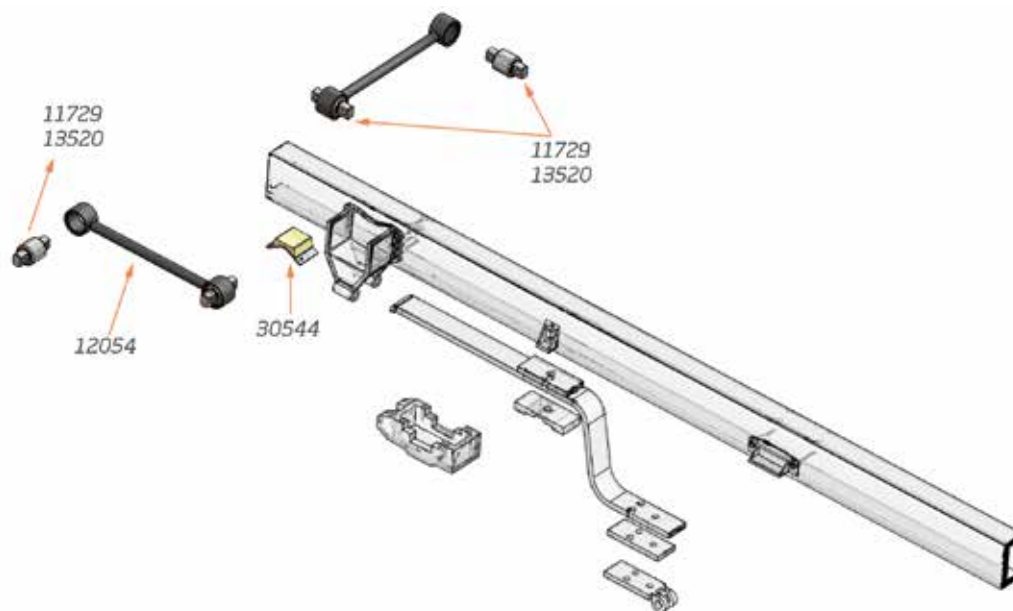
DG054



Códigos GAFF 13505, 13518, 13520, 13531, 13534, 13548, 13558,
13596, 13607

Tandem Rear Axle

DG065

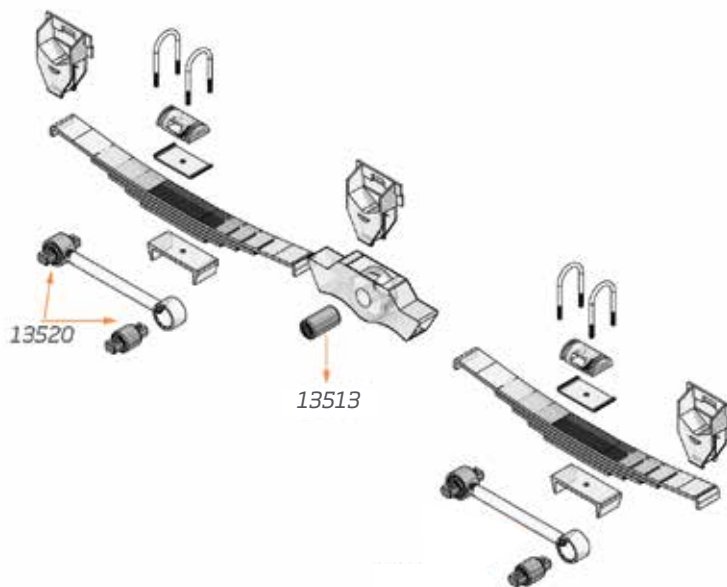


Códigos GAFF

11729, 12054, 13520, 30544

Drive Axle Truck

DG066

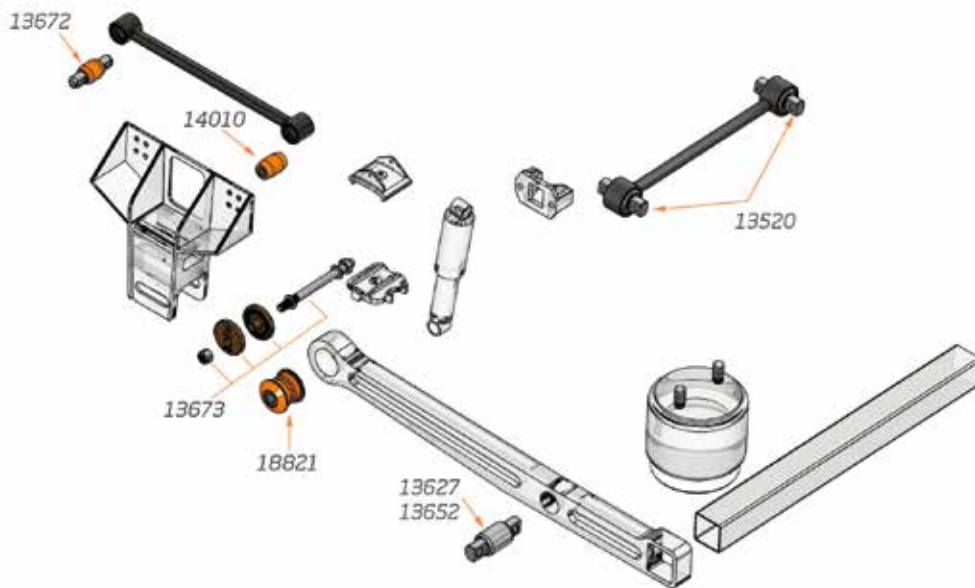


Códigos GAFF

13513, 13520

Primaax 230 / 460 / 690 8 1/2" a 10"

DG068

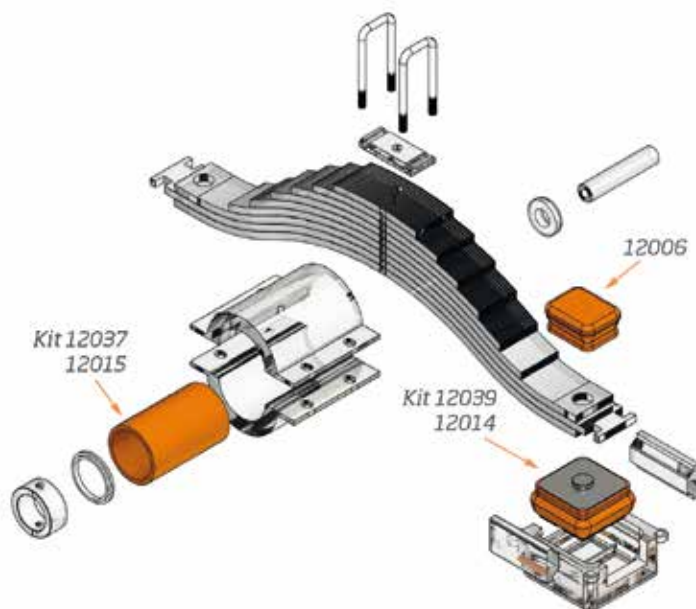


Códigos GAFF

13520, 13627, 13652, 13672, 13673, 14010, 18821

Series SS34 / SS38 34,000 lbs /
38,000 lbs

DG071

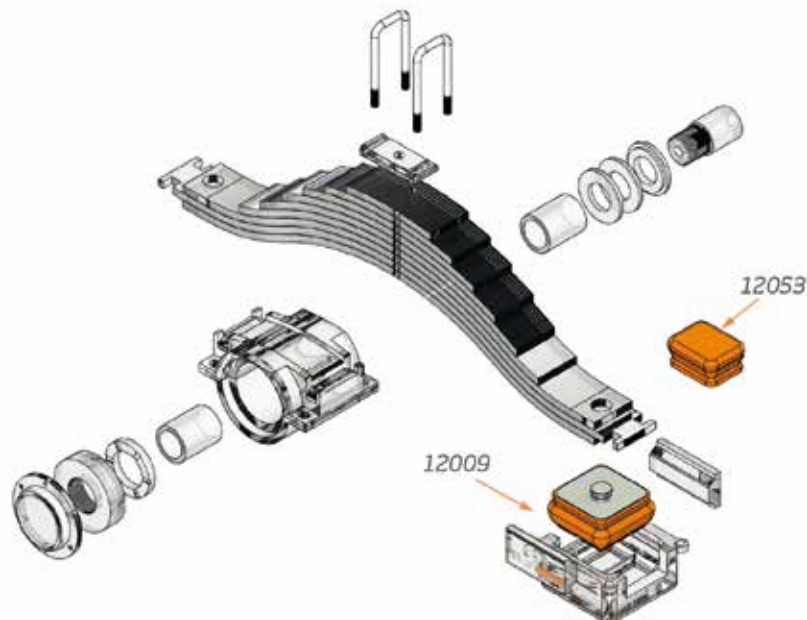


Códigos GAFF

12006, 12014, 12015, 12037, 12039

SS50C / SS58C

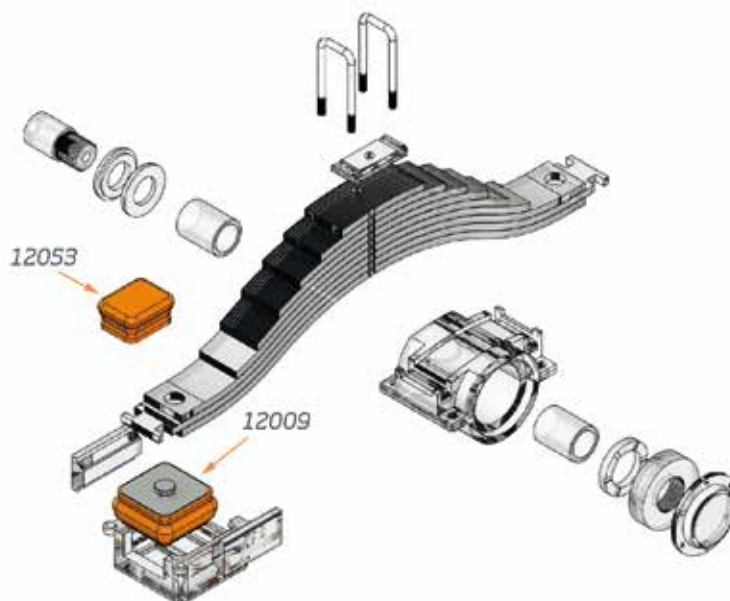
DG072



Códigos GAFF 12009, 12053

SS65C-W

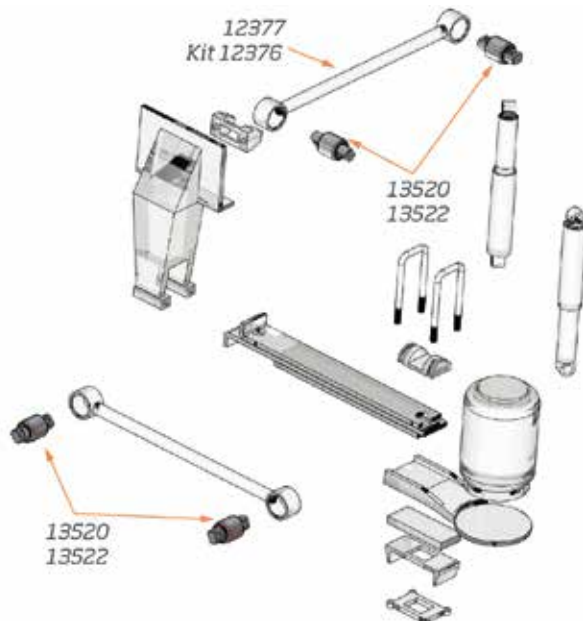
DG074



Códigos GAFF 12009, 12053

Air Trac Single

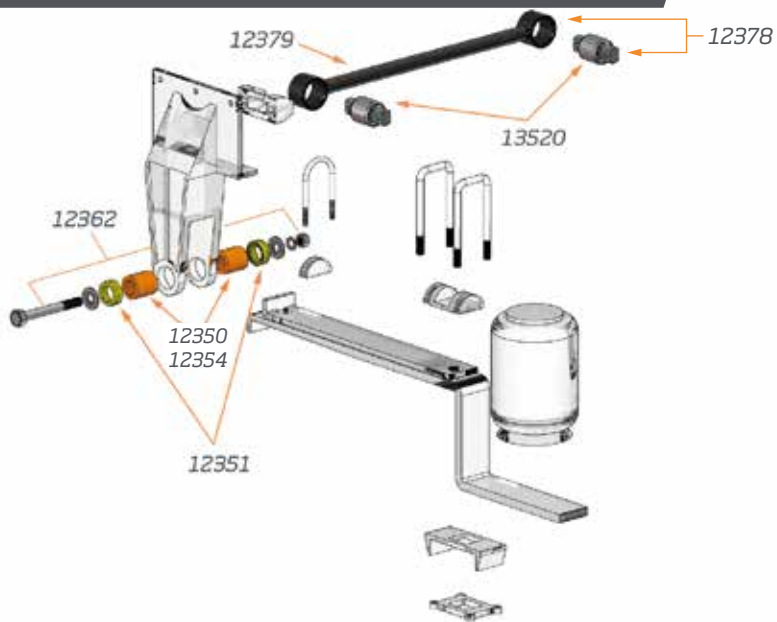
DG098



Códigos GAFF 12376, 12377, 13520, 13522

Low Air Leaf

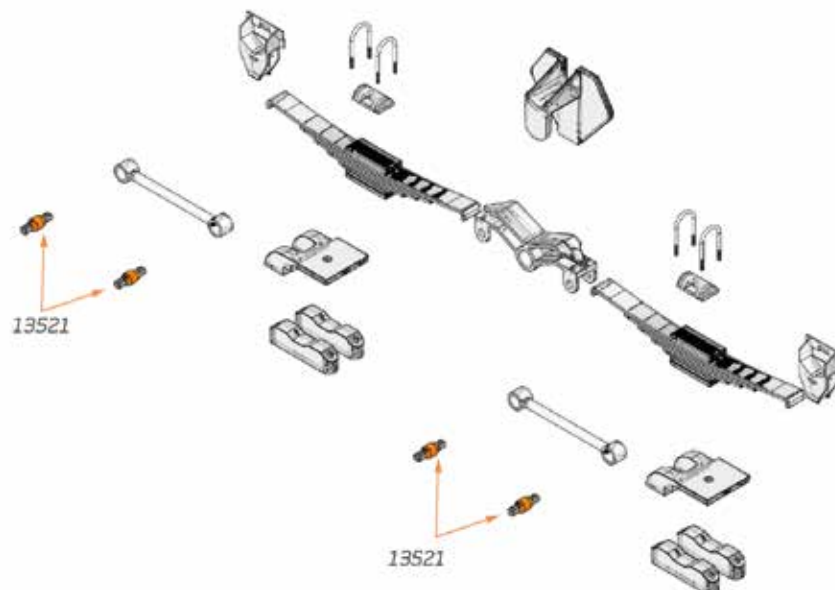
DG099



Códigos GAFF 12350, 12351, 12354, 12362, 12378, 12379, 13520

Quadraflex

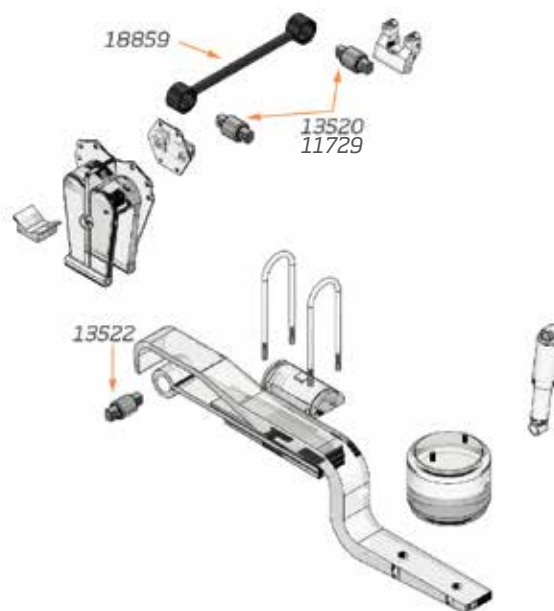
DG100



Códigos GAFF 13521

Air Ride

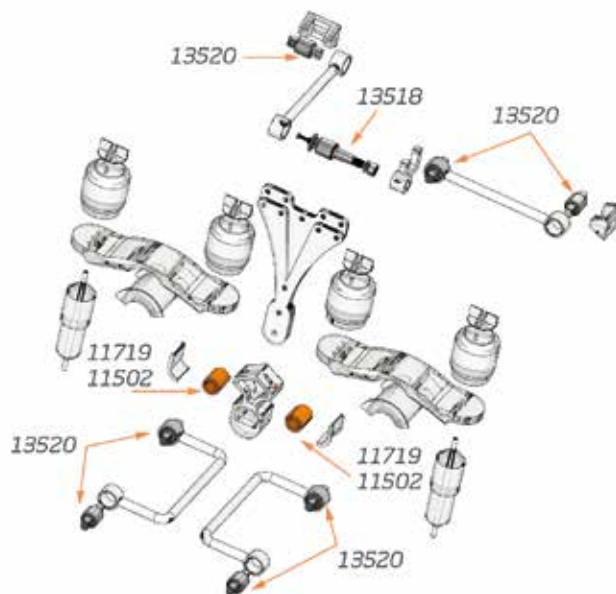
DG128



Códigos GAFF 11729, 13520, 13522, 18859

Serie Airglide 100

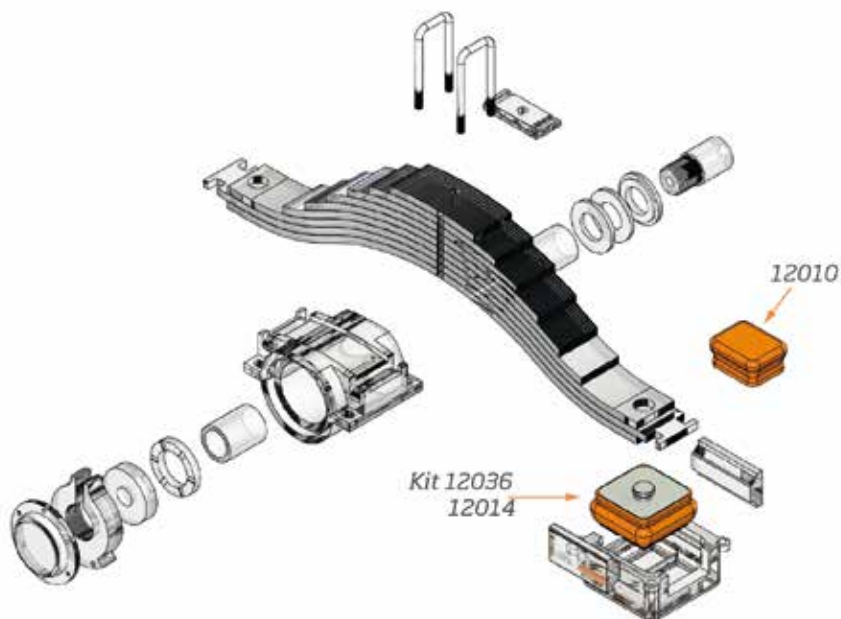
DG134



Códigos GAFF 11502, 11719, 13518, 13520

Series SWS 573

DG137



Códigos GAFF 12010, 12014, 12036

Motor

Suspensión

Soporte para Motor Motor Mount

35003



	Inch	mm
ID	27/32	21.43
OD	4 5/32	105.57
LG	3 11/32	84.93



Herramienta: Utiliza: 2
Diagrama: Relacionado:
Modelo: S2000
Año:

OEM# 81.96020.0384

Buje para Barra de Torsión Torque Rod Bushing

32007



	Inch	mm
OD	3 5/16	84.14
HO	3/4	19.05
LG C-C	5 1/8	130.18



Herramienta: Utiliza: 4
Diagrama: Relacionado: 31000
Año: 1987-1999 / 1994-2010
Modelo: Irizar PB / BUS SERIE 3: K93/113, L113, BUS SERIE 4: 4X2 EB/UB, 6X2 EB/UB, 6X2/2 UA, 6X2*4 EB/UB, 6X2 IB / LIONS CLASSIC / F90 / F2000

OEM# 1104335 / 638862 / 639287 / 1953248, 273373 / 274019

Buje para Barra de Torsión Torque Rod Bushing

32056



	Inch	mm
OD	3 23/32	94.46
HO	3/4	19.05
LG C-C	5 23/32	145.26

Componentes

1 Pz. 32056 (P) Buje / 1 Qty. 32056 (P) Bushing
1 Pz. Seguro Truack / 1 Qty. Truack Seeger
1 Pz. Inserto Met-lico / 1 Qty. Metallic Insert



Herramienta: Utiliza: 2
Diagrama: Relacionado: 40288
Modelo: Lionys Coach / Regio / Star / UL313 / 353
Año:

OEM# 81.43315.0009 / 81433150009

Buje para Barra Estabilizadora Sway Bar Bushing

35002



	Inch	mm
ID	5/8	15.88
OD	1 29/32	48.42
LG	1 27/32	46.83



Herramienta: Utiliza: 8
Diagrama: Relacionado:
Modelo: Irizar PB
Año:

OEM# 81.96210.0450

Buje para Barra de Torsión Torque Rod Bushing

35012



	Inch	mm
OD	2 9/16	65.09
HO	19/32	15.08
LG C-C	3 5/32	80.17



Herramienta: Utiliza: 4
Diagrama: Relacionado: 35013
Modelo: Irizar PB
Año:

OEM# 34.054.16809

Buje para Barra de Torsión Torque Rod Bushing

35013



	Inch	mm
ID	19/32	15.08
OD	2 9/16	65.09
LG	3 9/32	83.34
THR	M16X1	



Herramienta: Utiliza: 4
Diagrama: Relacionado: 35012
Modelo: Irizar PB
Año:

OEM# 81.43220.6177 / 81432206177

Buje para Barra de Torsión Torque Rod Bushing

35014



	Inch	mm
OD	3 5/16	84.14
HO	3/4	19.05
LG C-C	5 1/8	130.18



Herramienta: Utiliza: 4
Diagrama: Relacionado: 32056
Modelo: Man TGA / TGS / TGX / TGL / TGM Mercedes Benz Actros MP2 / MP
Año: 1993-2007

OEM# 81.43270.6126 / 81432706126, 81.43220.6250, 000 350 15 13 / A 000 350 15 13

Soporte para Radiador Radiator Mount

35010



	Inch	mm
ID	11/16	17.46
OD	2 5/16	58.74
LG	2 1/4	57.15
HO	13/32	10.32
LG C-C	4 1/4	107.95



Herramienta: Utiliza: 2
Diagrama: Relacionado:
Modelo:
Año:

OEM#

Temperatura

Soporte Trasero para Motor Motor Mount, Rear

30516


	Inch	mm
ID	1	25.40
OD	5 19/32	142.08
LG	6 25/32	172.24
WD	5 29/32	150.02
H	4 3/32	103.98
HO	7/16	11.11
LG C-C	5 21/32	143.67



Herramienta: Utiliza: 2
 Diagrama: Relacionado: 30517, 30518, 30518
 Modelo: Serie 60
 Año:

OEM#17/1550, 10-00524-XX

Soporte Delantero para Motor Motor Mount, Front

30517


	Inch	mm
ID	1 13/32	35.72
OD	3 7/8	98.43
LG	6 1/4	158.75
H	1 3/4	44.45
HO	19/32	15.08
LG C-C	5 1/8	130.18
OD<	3 9/16	90.49



Herramienta: Utiliza: 2
 Diagrama: Relacionado: 30516, 30518, 30518
 Modelo: Serie 60
 Año:

OEM#17-1780

Motor

Mercedes Benz Bus

Soporte para Compresor Compressor Mount

20424


	Inch	mm
ID	1 1/4	31.75
LG	4 3/4	120.65
WD	1 3/4	44.45
H	3 1/16	77.79
HO	13/32	10.32
LG C-C	4	101.60



Herramienta: Utiliza: 4
 Diagrama: Relacionado:
 Modelo: Carrier 05G
 Año:

OEM#

Soporte para Motor Motor Mount

31521


	Inch	mm
LG	4 21/32	118.27
WD	4	101.60
H	2 5/16	58.74
THR	M16X1.5	
BOLT	M12X1.5	



Herramienta: Utiliza: 2
 Diagrama: Relacionado:
 Modelo:
 Año:

OEM#345 240 70 17/ 368 240 00 17

Motor

Soporte para Motor Motor Mount

31529


	Inch	mm
LG	8 21/32	219.87
WD	4 3/16	106.36
H	5 11/32	135.73
THR	M16X1.5 / M12X1.5	
BOLT	5/8-11 UNC	



Herramienta: Utiliza: 2
 Diagrama: Relacionado: 31545
 Modelo: Multego OC 400 / OH 162SL / OH 162BL / OH 1630L
 Año: 1994

OEM#386.240.7018

Soporte Trasero para Motor Motor Mount, Rear

31545


	Inch	mm
LG	6 15/16	176.21
WD	4 7/32	107.16
H	3 31/32	100.81
THR	M12X1.5 / M14X2 / 3/8-16 UNC	



Herramienta: Utiliza: 2
 Diagrama: Relacionado: 31529
 Modelo:
 Año:

OEM#364.240.0118

Motor

Suspensión

Soporte para Motor Motor Mount

31600



	Inch	mm
ID	21/32	16.67
OD	4 1/2	114.30
LG	3 11/32	84.93
BOLT	5/8-11 UNC	

Componentes

- 1 Pz. Tapa Superior / 1 Qty. Upper Cover
- 1 Pz. Tornillo / 1 Qty. Bolt
- 1 Pz. Tuerca tipo Gripco / 1 Qty. Nylon Insert Nut
- 1 Pz. Arandela / 1 Qty. Washer
- 1 Pz. Arandela de Presión / 1 Qty. Spring Washer



Herramienta: Utiliza: 2
Diagrama: Relacionado: 31640
Modelo: Zafiro / Boxer / Allegro / Multego 00400
Año:

OEM# 695.240.0217 / 940.240.0217 / 970.240.0317 / 979.240.0017

Soporte Trasero para Motor Motor Mount, Rear

31640



	Inch	mm
LG	8 7/16	214.31
WD	3 31/32	100.81
H	5 3/16	131.76
HO	3/4	19.05
LG C-C	6 5/32	156.37
THR	M16X1.5	3/8-16 UNC



Herramienta: Utiliza: 2
Diagrama: Relacionado: 31521
Modelo: Zafiro OF / Boxer / Allegro
Año: 2007

OEM# 9702400418, 693 240 0518

Buje para Barra Estabilizadora Sway Bar Bushing

18760



	Inch	mm
ID	9/16	14.29
OD	1 27/32	46.83
LG	1 5/8	41.28

Componentes

- 1 Pz. Soporte Superior / 1 Qty. Upper Mount
- 1 Pz. Soporte Inferior / 1 Qty. Lower Mount
- 1 Pz. Espaciador / 1 Qty. Spacer Sleeve



Herramienta: Utiliza: 2
Diagrama: Relacionado: 31608, 31627
Modelo:
Año:

OEM# 384 320 7050

Buje para Barra Estabilizadora Sway Bar Bushing

18882



	Inch	mm
ID	7/8	22.23
OD	2 25/32	70.64
LG	2 17/32	64.29



Herramienta: Utiliza: 2
Diagrama: Relacionado:
Modelo:
Año:

OEM# A 974 327 01 81

Buje para Barra de Torsión Torque Rod Bushing

18961



	Inch	mm
OD	3 3/8	85.73
HO	13/16	20.64
LG C-C	5 1/8	130.18



Herramienta: Utiliza: 4
Diagrama: Relacionado:
Modelo:
Año:

OEM# A-9423260050

Buje para Barra de Torsión Torque Rod Bushing

18962



	Inch	mm
OD	3 5/16	84.14
HO	1	25.40
LG C-C	6	152.40



Herramienta: Utiliza: 4
Diagrama: Relacionado: 31655, 18961, 18961, 31092
Modelo: OH 1621L / OH 1622L / OH 1623L
Año:

OEM# A-3683500405

Buje para Amortiguador Shock Absorber Bushing

30522



	Inch	mm
ID	3/4	19.05
OD	1 11/16	42.86
LG	1 9/16	39.69



Herramienta: Utiliza: 4
Diagrama: Relacionado:
Modelo:
Año:

OEM#

Buje para Barra de Torsión Torque Rod Bushing

31092



	Inch	mm
OD	2 15/16	74.61
HO	3/4	19.05
LG C-C	5 1/8	130.18

Componentes

- 1 Pz. 31092 (P) Buje / 1 Qty. 31092 (P) Bushing
- 1 Pz. Seguro Truack / 1 Qty. Truack Seeger



Herramienta: Utiliza: 2
Diagrama: Relacionado: 31087
Modelo: Multego OC 500 / Aliado
Año:

OEM# 000 330 0207

Buje para Barra Angular V-Stay Bushing

31136



B

	Inch	mm
OD	2 15/16	74.61
HO	3/4	19.05
LG C-C	5 1/8	130.18



Herramienta: Utiliza: 4
Diagrama: Relacionado: 31053
Modelo: Turismo 0350 / Citaro 0350 / Man RH / NL / Eurostar

OEM# 3302011 / 657691, 500333284 / 85432206002

Buje para Barra de Torsión Torque Rod Bushing

31508



A4

	Inch	mm
ID	2 1/8	53.98
OD	3 19/32	91.28
LG	3 11/32	84.93



Herramienta: Utiliza: 4
Diagrama: Relacionado: 31528
Modelo: Alliado / Multigo / 0400
Año:

OEM# 000 332 0450 / 0003300250

Buje para Barra Estabilizadora Sway Bar Bushing

31512



A3

	Inch	mm
ID	1 3/32	27.78
OD	3	76.20
LG	1 1/16	26.99



Herramienta: Utiliza: 4
Diagrama: Relacionado: 31053
Modelo:
Año:

OEM# 320 323 0044

Buje para Barra de Torsión Torque Rod Bushing

31528



B

	Inch	mm
ID	2 1/8	53.98
OD	3 27/32	97.63
LG	1 19/32	40.48



Herramienta: Utiliza: 2
Diagrama: Relacionado: 31580
Modelo:
Año:

OEM#

Buje para Barra Estabilizadora Sway Bar Bushing

31565



A3

	Inch	mm
ID	19/32	15.08
OD	2 5/16	58.74
LG	3/4	19.05
OD <	1 25/32	45.24



Herramienta: Utiliza: 4
Diagrama: Relacionado: 31567
Modelo: Boxer / Zafiro
Año:

OEM#

Buje para Barra Estabilizadora Sway Bar Bushing

31566



B

	Inch	mm
ID	1 9/16	39.69



Herramienta: Utiliza: 2
Diagrama: Relacionado:
Modelo: Allegro
Año:

OEM#

Buje para Barra Estabilizadora Sway Bar Bushing

31567



B

	Inch	mm
ID	13/32	10.32
OD	1 13/32	35.72
LG	15/16	23.81
OD <	21/32	16.67



Herramienta: Utiliza: 8
Diagrama: Relacionado: 31565
Modelo: Allegro
Año:

OEM#

Buje para Barra de Torsión Torque Rod Bushing

31580



B

	Inch	mm
ID	7/8	22.23
OD	2 1/4	57.15
LG	2 1/2	63.50



Herramienta: Utiliza: 2
Diagrama: Relacionado: 31627, 31608
Modelo: Irizar / Allegro
Año: 2002

OEM#

Suspensión

Arandela Espaciadora 31588

Washer, Spacer ✓ A5

	Inch	mm
ID	1 11/16	42.86
OD	5 1/4	133.35
TK	3/16	4.76



Herramienta: Utiliza: 4
 Diagrama: Relacionado:
 Modelo: Allegro, Suspensión AS NEWAY.
 Año: OEM# 900 36 192, Ref. 936 00 546 / Ref. 900 36 192

Buje para Muelle 31596

Spring Bushing ✓ A5

	Inch	mm
ID	1	25.40
OD	2 7/16	61.91
LG	3 1/2	88.90



Herramienta: Utiliza: 2
 Diagrama: Relacionado: 18882
 Modelo: Allegro
 Año: OEM# 000 322 0385 / 900 08 125

Buje para Barra Angular 31601

V-Stay Bushing ✳ B

	Inch	mm
OD	2 27/32	72.23
HO	63/64	25.00
LG C-C	5 1/8	130.18



Componentes
 1 Pz. 31601 (P) Buje / 1 Qty. 31601 (P) Bushing
 1 Pz. Seguro Truack / 1 Qty. Truack Seeger

Herramienta: Utiliza: 2
 Diagrama: Relacionado: 31092, 31652, 31652
 Modelo:
 Año: OEM# 000 350 2205 / 000 350 2505 / 000 350 4505

Buje para Barra de Torsión 31602

Torque Rod Bushing ✳ B

	Inch	mm
OD	3 15/16	100.01
HO	63/64	25.00
LG C-C	6	152.40



Herramienta: Utiliza: 2
 Diagrama: Relacionado: 31601
 Modelo:
 Año: OEM# 000 350 2405 / 000 350 3505

Buje para Barra Estabilizadora 31603

Sway Bar Bushing ✳ B

	Inch	mm
ID	1 13/32	35.72
LG	1 31/32	50.01



Herramienta: Utiliza: 2
 Diagrama: Relacionado:
 Modelo:
 Año: OEM# 667 323 0685

Buje para Barra Estabilizadora 31608

Sway Bar Bushing ✳ B

	Inch	mm
ID	5/8	15.88
OD	1 7/8	47.63
LG	1 7/8	47.63



Herramienta: Utiliza: 2
 Diagrama: Relacionado: 18760, 31580
 Modelo:
 Año: OEM#

Buje para Barra Estabilizadora 31611

Sway Bar Bushing ✳ B

	Inch	mm
ID	1 3/4	44.45
LG	2 1/16	52.39



Herramienta: Utiliza: 2
 Diagrama: Relacionado: 31608
 Modelo: Allegro
 Año: OEM#

Buje para Barra Estabilizadora 31615

Sway Bar Bushing ✳ B

	Inch	mm
ID	1 23/32	43.66
OD	2 11/16	68.26
LG	3 5/32	80.17



Herramienta: Utiliza: 2
 Diagrama: Relacionado:
 Modelo:
 Año: OEM#

Buje para Barra Estabilizadora Sway Bar Bushing

31627



	Inch	mm
ID	1/2	12.70
OD	1 3/16	30.16
LG	1 3/8	34.93



Herramienta: Utiliza: 2
Diagrama: Relacionado: 18760
Modelo: L0814 / L0915
Año:

OEM# 688 320 7173

Buje para Amortiguador Shock Absorber Bushing

31633



	Inch	mm
ID	9/16	14.29
OD	1 19/32	40.48
LG	1 21/32	42.07



Herramienta: Utiliza: 4
Diagrama: Relacionado:
Modelo:
Año:

OEM# 3200144

Buje para Barra Estabilizadora Sway Bar Bushing

31641



	Inch	mm
ID	1 25/32	45.24
LG	3 5/32	80.17
WD	3 1/16	77.79
H	1 1/2	38.10



Herramienta: Utiliza: 4
Diagrama: Relacionado:
Modelo: 0400 / 0500 /
Aliado
Año:

OEM# 634 326 0081

Buje para Barra de Torsión Torque Rod Bushing

31652



	Inch	mm
OD	2 15/16	74.61
HO	3/4	19.05
LG C-C	4 17/32	115.09



Herramienta: Utiliza: 4
Diagrama: Relacionado: 32007,
32020, 32020
Modelo: OC 500 / 0500 /
Serie 4 / P / G / R / T
Año:

OEM# 6293300007,
1515981 / 2096392

Buje para Barra de Torsión Torque Rod Bushing

31655



	Inch	mm
OD	3 11/32	84.93
HO	3/4	19.05
LG C-C	5 1/8	130.18



Herramienta: Utiliza: 4
Diagrama: Relacionado: 13514,
18962, 18962
Modelo:
Año:

OEM# 0003500506 /
0003200011, 1435944

Buje para Barra Estabilizadora Sway Bar Bushing

31658



	Inch	mm
ID	9/16	14.29
OD	1 1/2	38.10
LG	1 7/8	47.63



Herramienta: Utiliza: 2
Diagrama: Relacionado:
Modelo:
Año:

OEM# A 685 326 00 81

Buje para Barra Estabilizadora Sway Bar Bushing

31679



	Inch	mm
ID	2 1/32	16.67
OD	1 15/32	37.31
LG	1 1/2	38.10



Herramienta: Utiliza: 4
Diagrama: Relacionado: 31680
Modelo: Toretto
Año: 2018

OEM# 318 320 00 73

Buje para Barra Estabilizadora Sway Bar Bushing

31680



	Inch	mm
ID	1 9/32	32.54
OD	2 3/16	55.56
LG	1 29/32	48.42



Herramienta: Utiliza: 4
Diagrama: Relacionado: 31679
Modelo: Toretto
Año: 2018

OEM# A 979 320 04 44

Suspensión

Temperatura

Transmisión

Buje para Barra Angular

V-Stay Bushing

32058



	Inch	mm
ID	1 5/8	41.28
OD	3 3/4	95.25
LG	2 7/8	73.03
THR	M24X1.5	

Componentes

- 1 Pz. 32058 (P) Buje / 1 Qty. 32058 (P) Bushing
- 1 Pz. Seguro Truack / 1 Qty. Truack Seeger
- 1 Pz. Inserto Metálico / 1 Qty. Metallic Insert



OEM# 208005809 / 638870

Herramienta: Utiliza: 2
 Diagrama: Relacionado: 32007, 32020, 32020
 Modelo:
 Año:

Soporte para Radiador

Radiator Mount

31552



	Inch	mm
OD	1 17/32	38.89
LG	2 7/8	73.03
THD	M10X1.5	



OEM# 347 504 00 12

Herramienta: Utiliza: 2
 Diagrama: Relacionado:
 Modelo:
 Año:

Buje para Palanca de Velocidades

Gear Lever Bushing

31515



	Inch	mm
ID	1	25.40
OD	3 1/16	77.79
LG	11/16	17.46
BOLT	M8X1.25	



OEM#

Herramienta: Utiliza: 1
 Diagrama: Relacionado: 31532, 31561, 31561
 Modelo:
 Año:

Buje para Palanca de Velocidades

Gear Lever Bushing

31532



	Inch	mm
ID	5/8	15.88
OD	15/16	23.81
LG	3/4	19.05
OD<	27/32	21.43



OEM#

Herramienta: Utiliza: 2
 Diagrama: Relacionado: 31515, 31561, 31561
 Modelo:
 Año:

Buje para Palanca de Velocidades

Gear Lever Bushing

31561



	Inch	mm
ID	1 3/16	30.16
OD	1 15/32	37.31
LG	25/32	19.84



OEM#

Herramienta: Utiliza: 2
 Diagrama: Relacionado: 31515, 31532, 31532
 Modelo:
 Año:

Soporte para Muelle Spring Mount

31624



	Inch	mm
LG	7 19/32	192.88
WD	5 1/8	130.18
H	5 5/16	134.94
LG C-C	5 29/32	150.02



Herramienta: Utiliza: 2
Diagrama: Relacionado: 11066
Modelo: M2 & Sterling
Acterra
Año:

OEM# A1615773000

Buje para Barra Estabilizadora Sway Bar Bushing

31675



	Inch	mm
ID	3 5/32	80.17
OD	4 1/4	107.95
LG	2 1/2	63.50



Herramienta: Utiliza: 4
Diagrama: Relacionado: 31624
Modelo: 1823 / 1828 /
1831 / 1833 / 1846 /
1844 / 1848 / 1865 /
2528 / 2533 / 2628
Año:

OEM# 9413260050

Suspensión

Neoplan

Buje para Barra Estabilizadora Sway Bar Bushing

18084



	Inch	mm
ID	1 13/32	35.72
OD	2 17/32	64.29
LG	3	76.20



Herramienta: Utiliza: 2
Diagrama: Relacionado:
Modelo:
Año:

OEM# 0801.550.20

Buje para Barra de Torsión Torque Rod Bushing

18435



	Inch	mm
OD	2 17/32	64.29
HO	3/4	19.05
LG C-C	4 7/8	123.83



Herramienta: Utiliza: 2
Diagrama: Relacionado:
Modelo:
Año:

OEM# 80155033

Suspensión

Buje para Amortiguador Shock Absorber Bushing

18483



	Inch	mm
ID	3/4	19.05
OD	1 15/32	37.31
LG	1 3/4	44.45



Herramienta: Utiliza: 2
Diagrama: Relacionado:
Modelo:
Año:

OEM#

Buje para Amortiguador Shock Absorber Bushing

18533



	Inch	mm
ID	25/32	19.84
OD	1 9/16	39.69
LG	1 3/4	44.45
OD<	1 11/32	34.13



Herramienta: Utiliza: 2
Diagrama: Relacionado: 18004
Modelo:
Año:

OEM#

Buje para Barra Angular V-Stay Bushing

32058



	Inch	mm
ID	1 5/8	41.28
OD	3 3/4	95.25
LG	2 7/8	73.03
THR	M24X1.5	

Componentes

- 1 Pz. 32058 (P) Buje / 1 Qty. 32058 (P) Bushing
- 1 Pz. Seguro Truack / 1 Qty. Truack Seeger
- 1 Pz. Inserto Met-lico / 1 Qty. Metallic Insert



OEM# 208005809 / 638870

Herramienta: Utiliza: 2
 Diagrama: Relacionado: 32007, 32020, 32020
 Modelo:
 Año:

Neway

Adaptador para Buje Lateral Beam End Adapter

13507



	Inch	mm
OD	3 1/2	88.90
LG	6 1/2	165.10
BOLT	3/4-16 UNF	



OEM# 45000-007, 90001002

Herramienta: Utiliza: 4
 Diagrama: DG049, 13506, 13506, 13553, DG050, DG093, DG120, 13543, 13560, 13566, DG135
 Modelo: 340/ 440Series RS 13568, 13574, 13587
 400/ 403/ 460/ 463/ Series RT 380/440
 Año:

Buje para Muñón Trunnion Bushing

14500



	Inch	mm
ID	3 1/2	88.90
OD	4 1/2	114.30
LG	8 3/4	222.25



OEM# 910 38 210

Herramienta: Utiliza: 2
 Diagrama: Relacionado: 14505, 14501, 14501
 Modelo:
 Año:

Buje para Muñón Trunnion Bushing

14501



	Inch	mm
ID	3 1/2	88.90
OD	4 1/2	114.30
LG	6 3/4	171.45



OEM# 900 08 011 / 91008024

Herramienta: Utiliza: 4
 Diagrama: DG095, 14505, 14509, 14509
 Modelo:
 Año:

Cojinete para Suspensión Spring Pad

14505



	Inch	mm
LG	10 3/8	263.53
WD	5	127.00
TK	13/16	20.64



OEM# 91028039

Herramienta: Utiliza: 2
 Diagrama: Relacionado: 14501, 14509, 14509
 Modelo:
 Año:

Cojinete para Eje Axle Pad

14509



	Inch	mm
LG	9	228.60
WD	5	127.00
TK	3/4	19.05



Herramienta: Utiliza: 2
Diagrama: DG095 Relacionado: 14505, 14501
Modelo: T Y TR
Año:

OEM#91028051

Buje Lateral Beam End Bushing

14510



	Inch	mm
ID	1 1/8	28.58
OD	2 3/8	60.33
LG	5	127.00



Herramienta: Utiliza: 2
Diagrama: DG082 Relacionado: 14522
Modelo: AR-50 POSTERIOR
Año:

OEM#90008131

Buje Lateral Beam End Bushing

14513



	Inch	mm
ID	1 1/8	28.58
OD	3 1/2	88.90
LG	5 1/4	133.35



Herramienta: Utiliza: 2
Diagrama: DG075, DG077, DG078, DG079, DG080, DG081, DG084, DG085, DG086, DG087, DG088, DG089, DG090, DG136 Relacionado: 14528, 14533, 14533
Modelo: Series AR-41/ Series AR-45/ Series AR-45-1
Año:

OEM#90008139

Buje Lateral Beam End Bushing

14514



	Inch	mm
ID	1 5/32	29.37
OD	3 1/2	88.90
LG	5	127.00



Herramienta: 14531 Utiliza: 2
Diagrama: DG091, DG093, DG101, DG135 Relacionado: 14527, 13507, 13507
Modelo: ARD TS/ Series ARD-125, -6, -8, -244-6, -8/ Series ARDST/ ARDSTM/ LS123-6/ LS-244-6/ LS-246-6/ Series AD-123/246-6.5, 8.75, 10

OEM#90008151, 90008252

Buje para Muñón Trunnion Bushing

14521



	Inch	mm
ID	4	101.60
OD	4 31/32	126.21
LG	8 3/4	222.25



Herramienta: Utiliza: 2
Diagrama: DG083 Relacionado: 14501
Modelo:
Año:

OEM#91008022

Cojinete para Eje Axle Pad

14522



	Inch	mm
LG	5 1/8	130.18
WD	4 1/2	114.30
TK	3/4	19.05



Herramienta: Utiliza: 4
Diagrama: DG095 Relacionado: 14510
Modelo:
Año:

OEM#910 28 089

Medio Buje Superior para Balancín Equalizer Bushing. (Upper)

14523



	Inch	mm
ID	2 25/32	70.64
LG	4 5/32	105.57
H	1 31/32	50.01
TK	15/32	11.91



Herramienta: Utiliza: 4
Diagrama: Relacionado:
Modelo:
Año:

OEM#91008006

Medio Buje Inferior para Balancín Equalizer Bushing. (Lower)

14524



	Inch	mm
ID	1 7/16	36.51
LG	4 3/32	103.98
WD	3 13/16	96.84



Herramienta: Utiliza: 2
Diagrama: Relacionado: 14523
Modelo:
Año:

OEM#

Buje Lateral

Beam End Bushing

14527 ✓ A3

	Inch	mm
ID	2 1/2	63.50
OD	3 7/8	98.43
LG	5 3/4	146.05



Herramienta: Utiliza: 2
Diagrama: DG091, Relacionado: 14528, DG092, DG093, DG101, 14533, 14533
Modelo: Series ARD-125, -6, -8, -244-6, -8/ Series ARD-234-6/ Series ARDST/ ARDSTM/ LS123-6/ LS-244-6/ LS-246-6/ Series AD-123/ 246-6.5, 8.75, 10/ ARD2342

OEM#90008008

Buje Lateral

Beam End Bushing

14528 ✓ A2

	Inch	mm
ID	1 1/8	28.58
OD	2 27/32	72.23
LG	5 5/32	130.97



Herramienta: Utiliza: 2
Diagrama: DG080, Relacionado: 14513, DG081, DG088 14533, 14533
Modelo: Series RL-196AS/ Series RL-228-14, -15, -16, -17/ Series AR-92-12, -14, -15, -16, -17, -18/ AR-93-14, -15, -16, -17

OEM#90008149

Buje para Brazo Transversal

Transverse Beam Bushing

14530 ✱ B

	Inch	mm
ID	2 1/2	63.50
OD	3 29/32	99.22
LG	2 21/32	67.47



Herramienta: Utiliza: 4
Diagrama: DG091, Relacionado: 14527, DG101 13507, 13507
Modelo: ARD-125-244
Año:

OEM#90008113

Buje Lateral

Beam End Bushing

14532 ✓ A4

	Inch	mm
OD	3 27/32	97.63
HO	1 1/16	26.99
LGC-C	8 1/2	215.90



Herramienta: Utiliza: 2
Diagrama: DG076, Relacionado: 14513, DG135
Modelo:
Año:

OEM#90008175

Buje Lateral

Beam End Bushing

14533 ✓ A2

	Inch	mm
ID	1 1/8	28.58
OD	2 13/16	71.44
LG	5	127.00



Herramienta: 14531 Utiliza: 4
Diagrama: DG079, Relacionado: 14513, DG080, DG081, DG087, 14528, 14528, DG088, DG089, DG090, Año:
Modelo: Series ARU-92, -8, -9, -10, -12/ 93, -6, -7, -8, -9, -10/ Series RL-196AS/ Series RL-228-14, -15, -16, -17/ Series AR-90-14/ AR-90-15, AR-90-16, AR-90-17/ Series AR-92-12, -14, -15, -16, -17, -18/ Series AR-93-14, -15, -16, -17/ Series ARD-234-6

OEM#90008149 / 90008148

Buje para Viga

Beam Bushing

14536 ✱ B

	Inch	mm
OD	3 1/8	79.38
HO	1	25.40
LGC-C	6 1/4	158.75



Herramienta: Utiliza: 2
Diagrama: Relacionado: 14537, 14538, 14538
Modelo: ADZ Series
Año:

OEM#90008267

Buje para Barra Angular

V-Stay Bushing

14537 ✱ B

	Inch	mm
ID	1 1/32	26.19
OD	2 3/4	69.85
LG	2 27/32	72.23



Herramienta: Utiliza: 2
Diagrama: Relacionado: 14536, 11729, 11729
Modelo: ADZ-123, ADZ-126
Año:

OEM#90008264

Buje Lateral

Beam End Bushing

14538 ✱ B

	Inch	mm
ID	1 1/8	28.58
OD	3 3/16	80.96
LG	4	101.60



Herramienta: Utiliza: 2
Diagrama: Relacionado: 14536, 14537, 14537
Modelo: ADZ-126 / 123
Año: 2014

OEM#90008266

Cojinete de Desgaste

Wear Pad

14540

(N) A2

	Inch	mm
LG	6 17/32	165.89
WD	4 5/8	117.48
H	2 1/32	16.67



OEM#91028152

Herramienta: Utiliza: 2
 Diagrama: Relacionado:
 Modelo: TS-426A / 432 /
 436 / 442 / 536 / 542
 Series Suspension

Buje Lateral

Beam End Bushing

31592

(✓) A3

	Inch	mm
ID	2 1/2	63.50
OD	3 7/8	98.43
LG	5 1/4	133.35



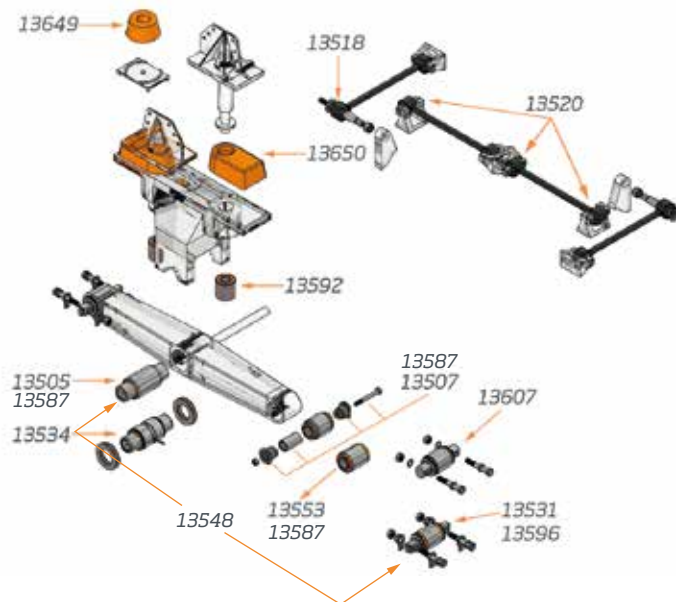
OEM#90008006

Herramienta: Utiliza: 2
 Diagrama: DG093, DG101, DG135
 Modelo:
 Año: Relacionado: 14528, 14533, 14533

Suspensión

Series RS 400 / 403 / 460 / 463

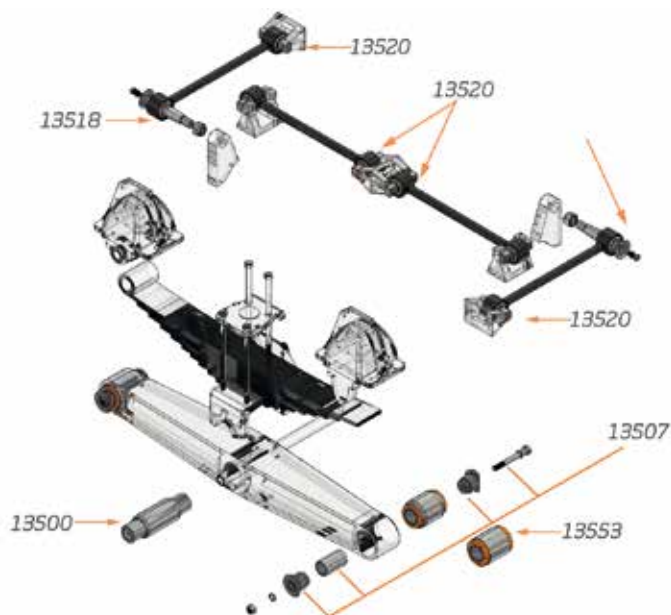
DG049



Códigos GAFF 13505, 13507, 13518, 13520, 13531, 13534, 13548, 13553, 13587, 13592, 13596, 13607, 13649, 13650

Series RT 650

DG050

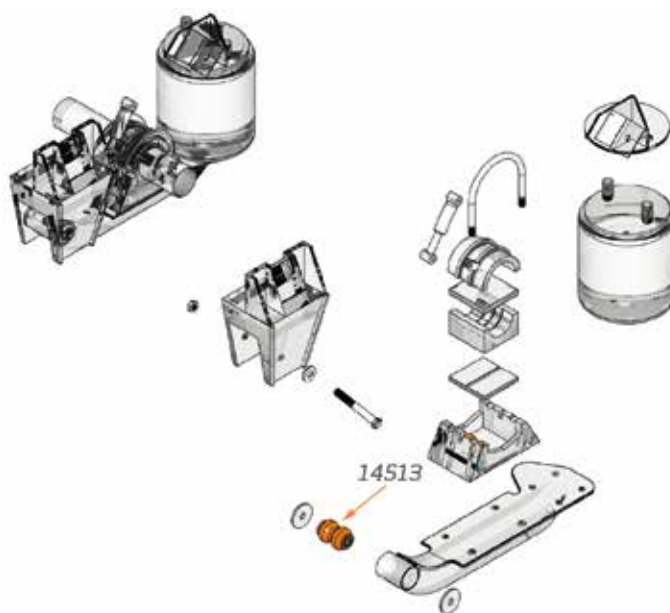


Códigos GAFF

13500, 13507, 13518, 13520, 13553

Series ART-500-B / ART 551-B-1, 2, 3

DG075

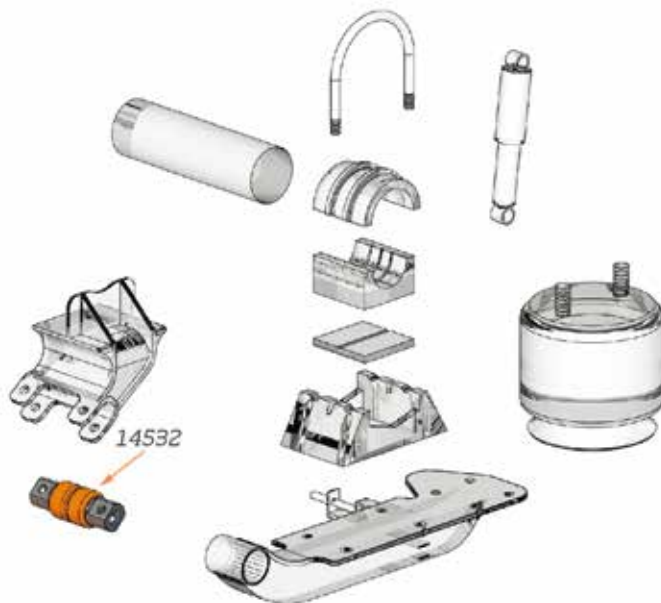


Códigos GAFF

14513

ART-500-US / ART-551-US-1/
ART-551-US-2/ART-551-US-3

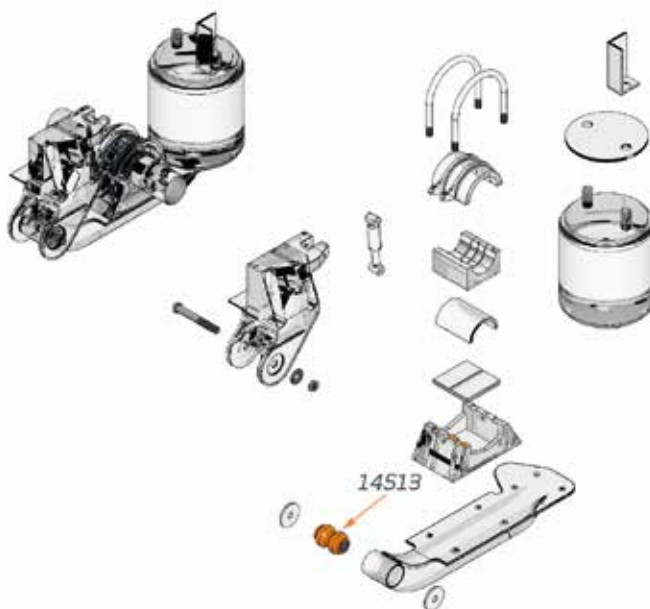
DG076



Códigos GAFF 14532

Series ART-500-USA

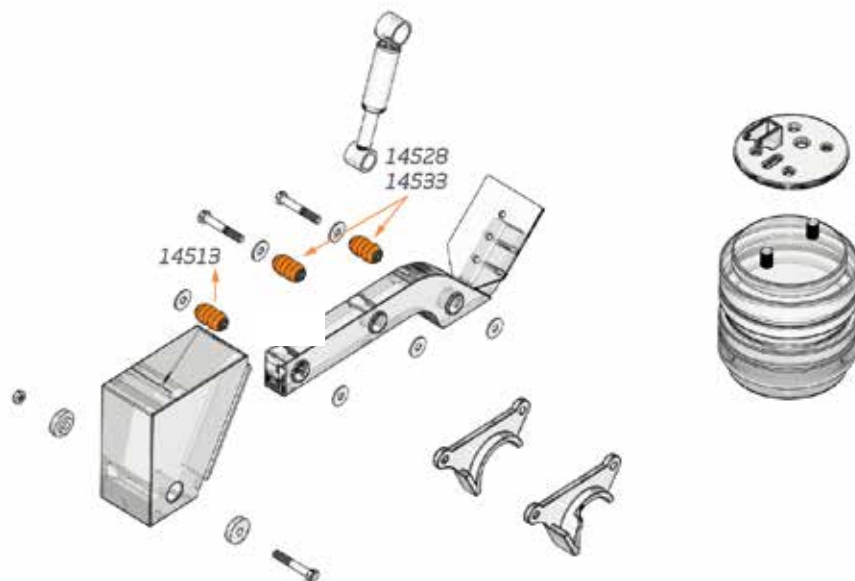
DG077



Códigos GAFF 14513

RL-196A

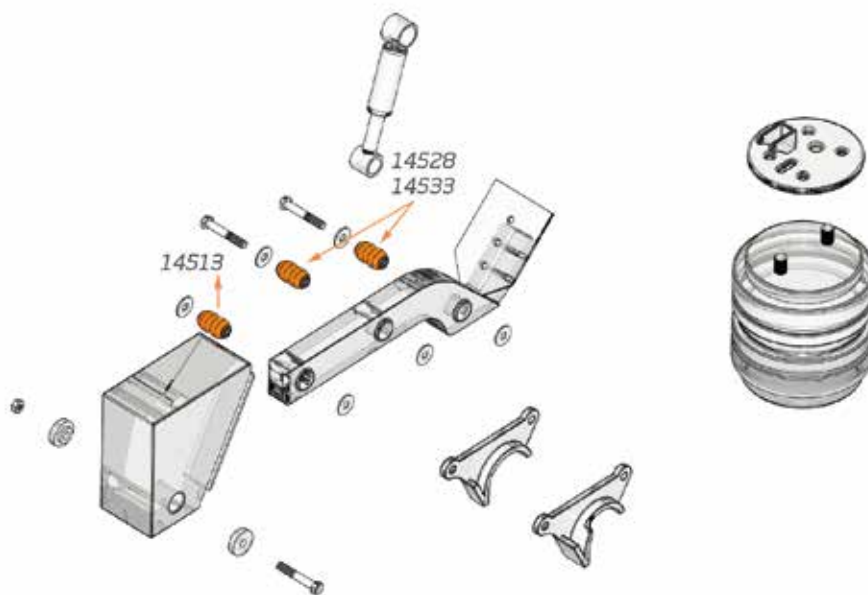
DG080



Códigos GAFF 14513, 14528, 14533

RL-228-14 / 15 / 16 / 17

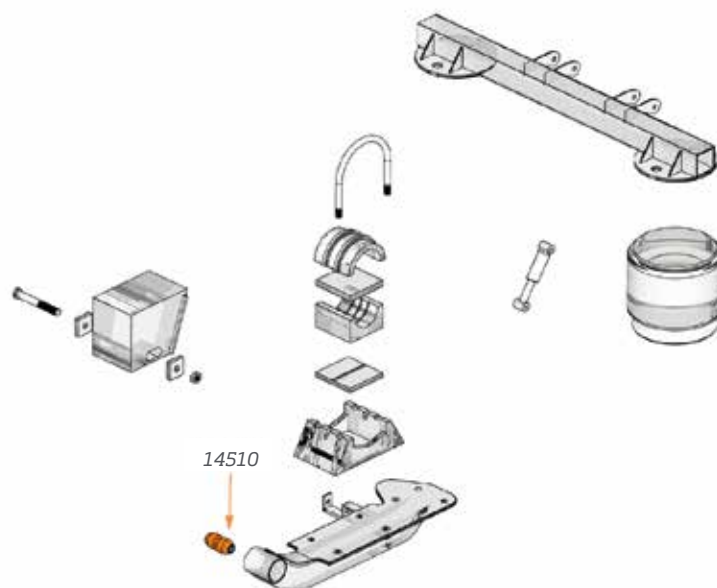
DG081



Códigos GAFF 14513, 14528, 14533

Serie SB.360-H-DA

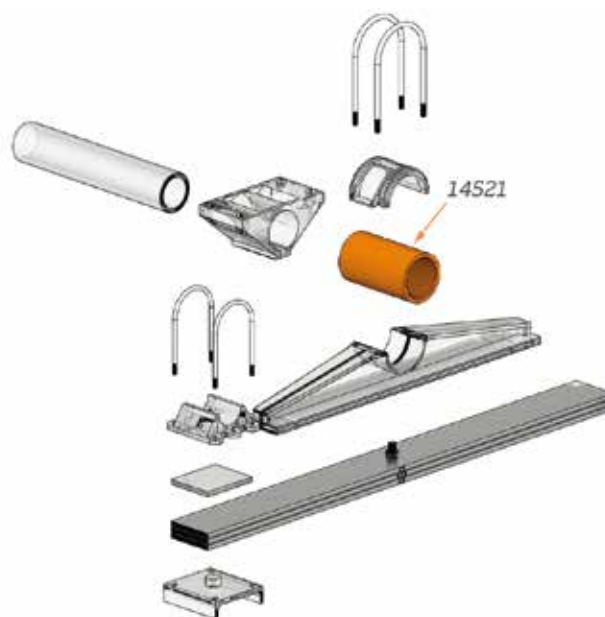
DG082



Códigos GAFF 14510

AR-50-US / AR-50-US-F / AR-50-US-F-1 / AR-50-US-F-2 / AR-51-US

DG083



Códigos GAFF 14521

Series AR-70-9 / AR-95-9 /
AR-95-12 / AR-95-14 / AR-95-17

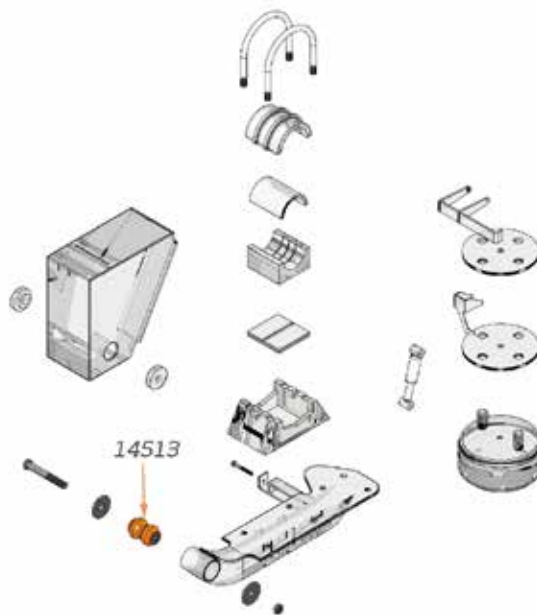
DG084



Códigos GAFF 14513

AR-75-6, AR-85-A

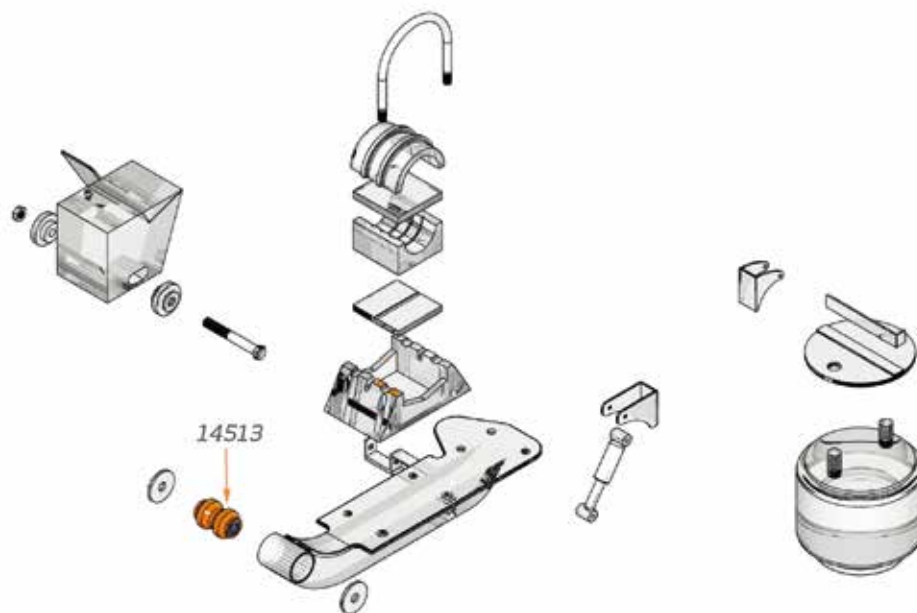
DG085



Códigos GAFF 14513

AR-80-6 / 75 / 9 / 9-WST

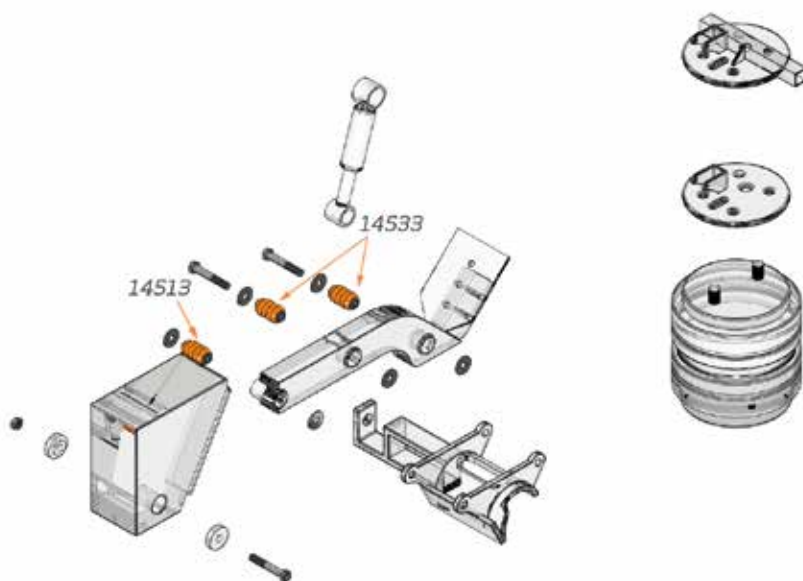
DG086



Códigos GAFF 14513

AR-90-14 / AR-90-15 / AR-90-16 / AR-90-17

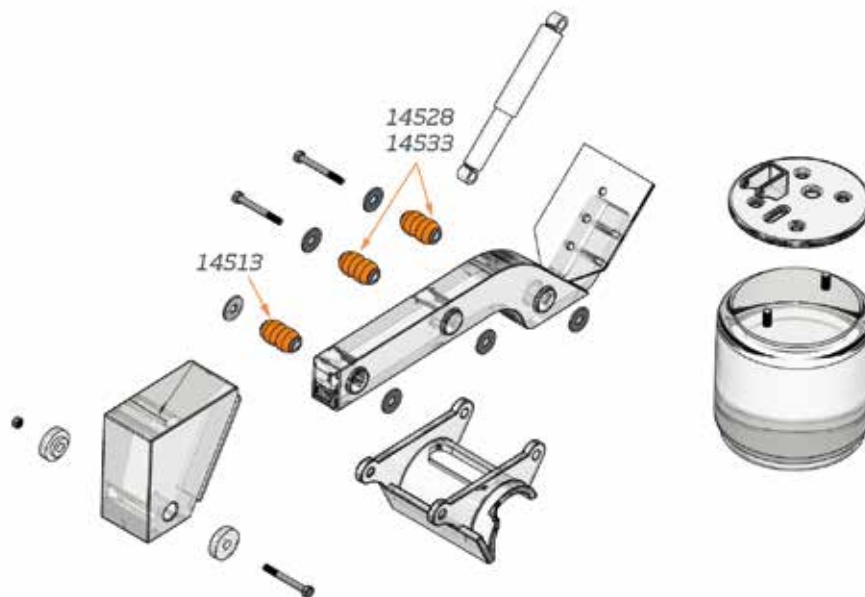
DG087



Códigos GAFF 14513, 14533

AR-92-12/AR-92-14/AR-92-15 / AR-92-16/ AR-92-17/
AR-92-18 / AR-93/AR-14/AR-1 /AR-16/AR-17

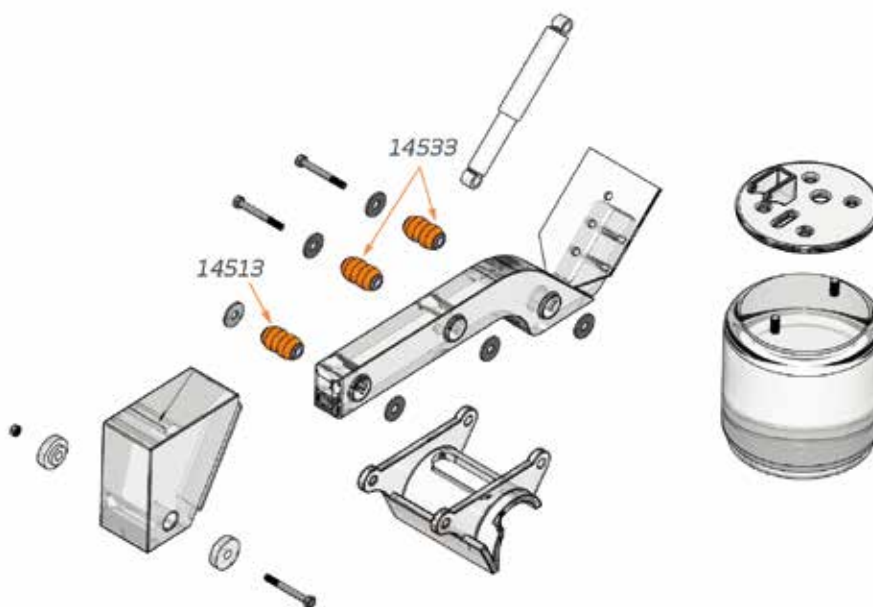
DG088



Códigos GAFF 14513, 14528, 14533

AR-92-12 / AR-92-14 / AR-92-15 /
AR-92-16 / AR-92-17 / AR-92-18

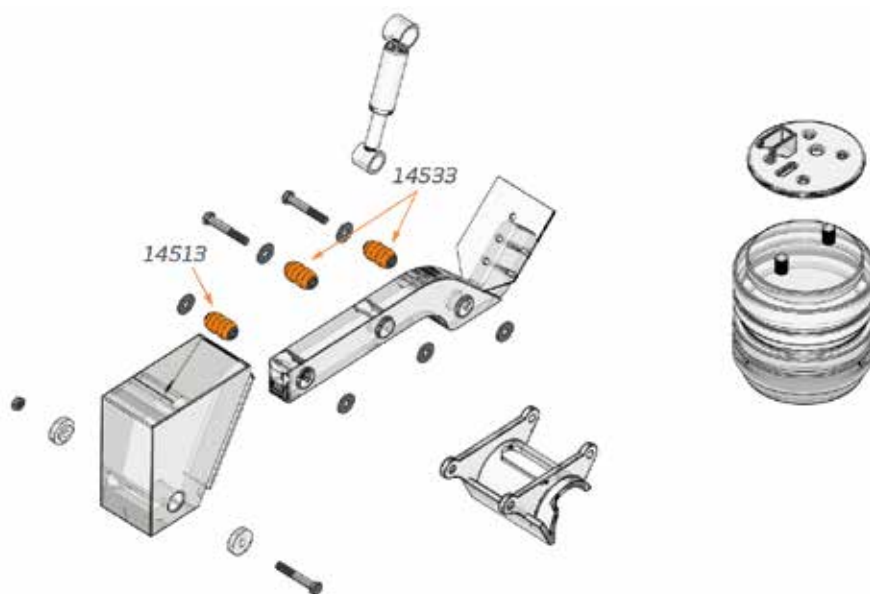
DG089



Códigos GAFF 14513, 14533

AR-93 / AR-14 / AR-15 / AR-16 / AR-17

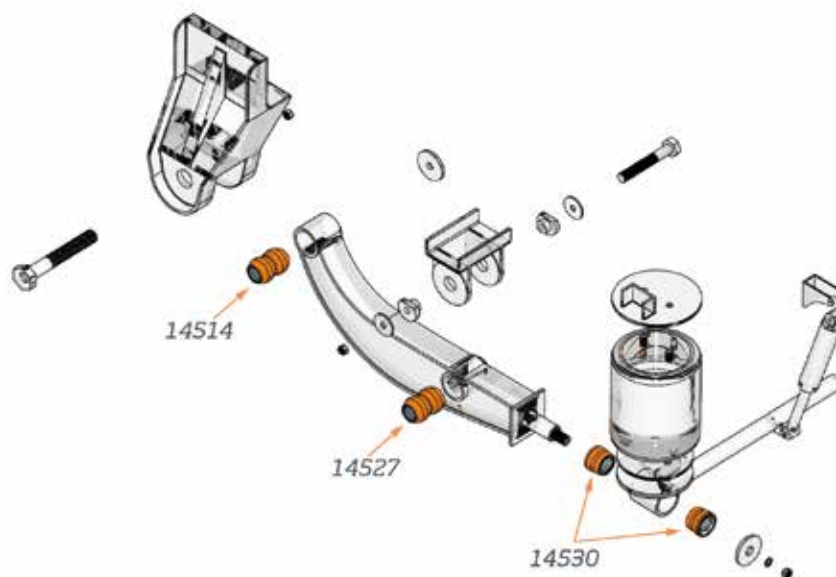
DG090



Códigos GAFF 14513,14533

ARD-125-6 / ARD-244-6

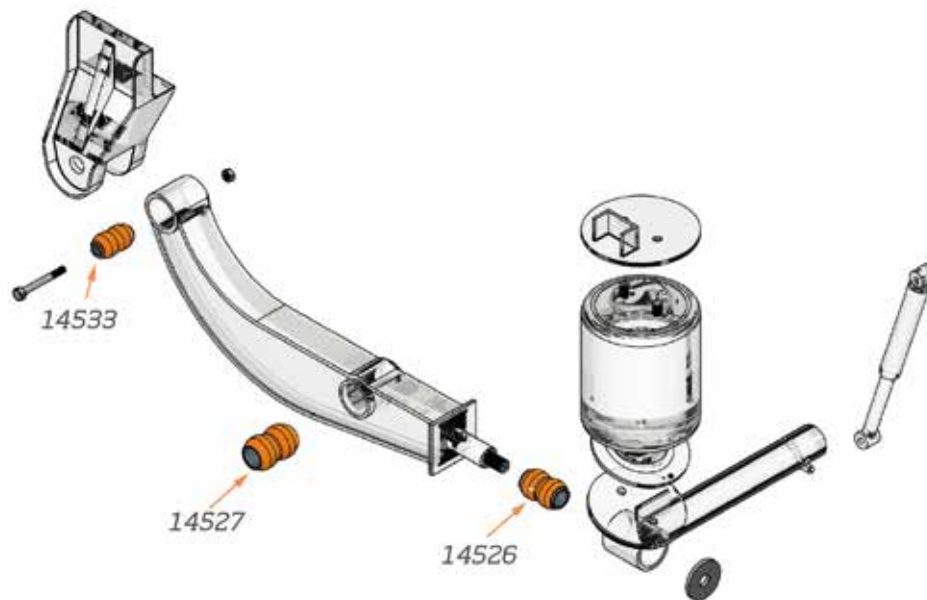
DG091



Códigos GAFF 14514, 14527, 14530

ARD-234-6

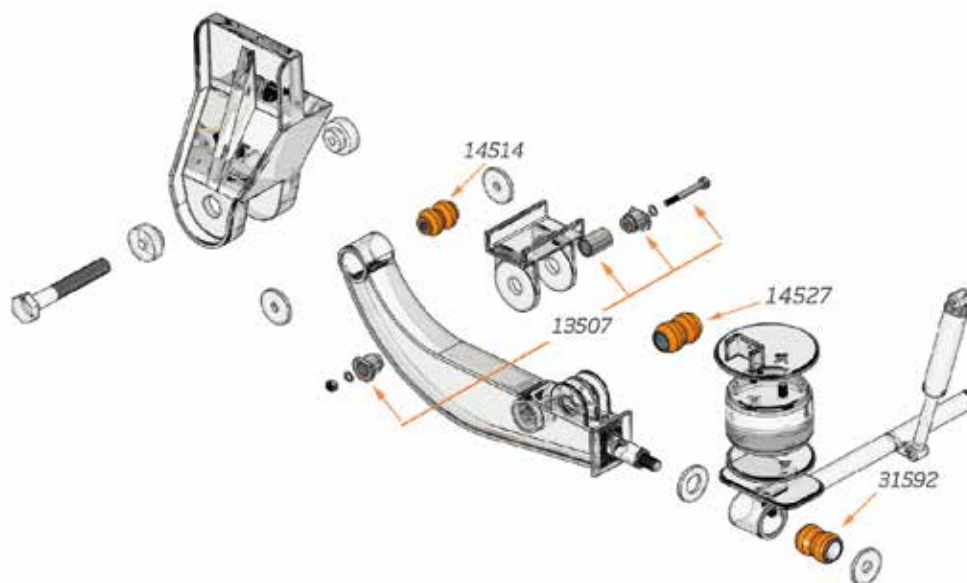
DG092



Códigos GAFF 14526, 14527, 14533

Series ARDST / ARDSTM / 123-6 / 244-6 / 246-6

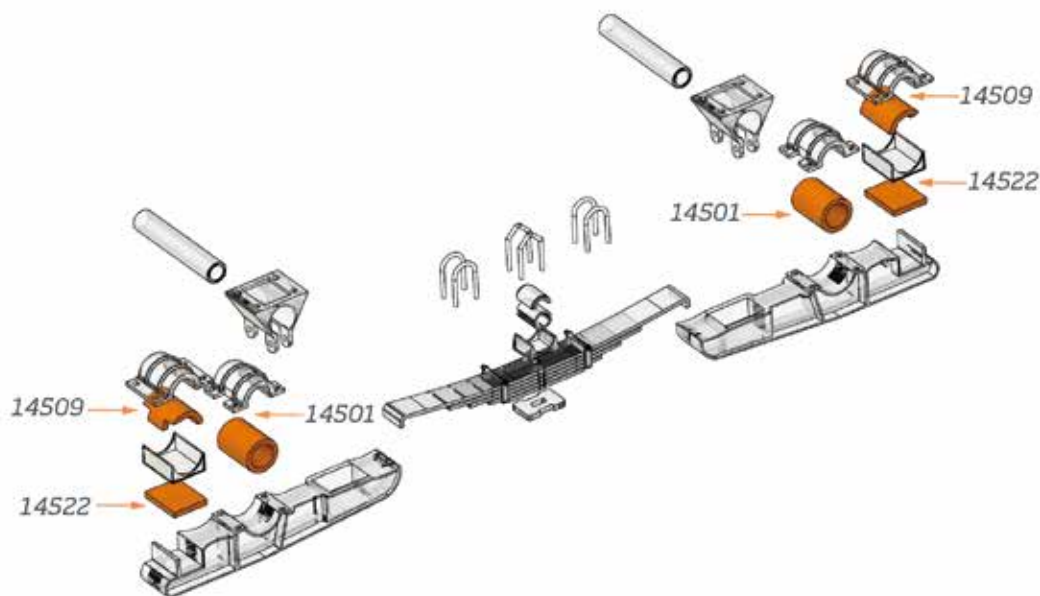
DG093



Códigos GAFF 13507, 14514, 14527, 31592

T / TR85-40 / 8600 / 8900

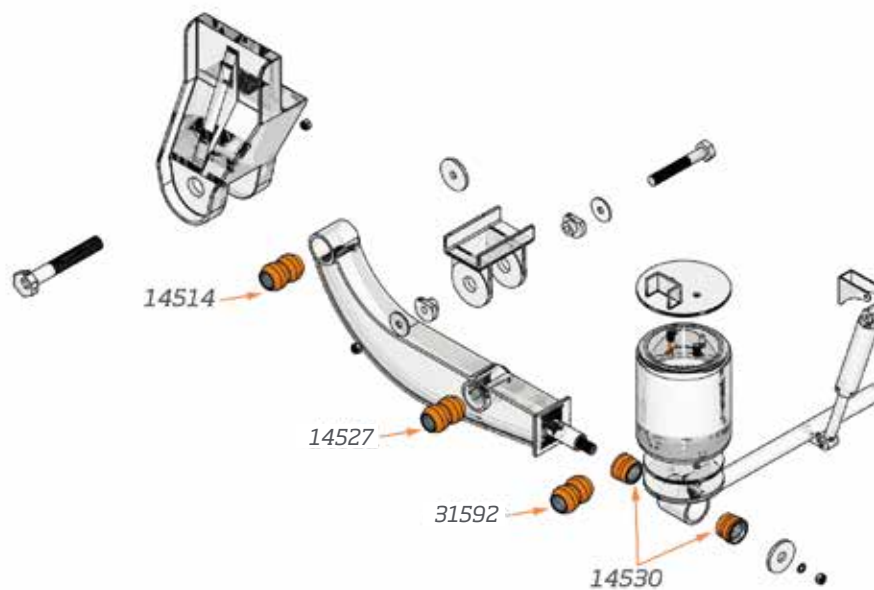
DG095



Códigos GAFF 14501, 14509, 14522

ARD-125-6 / ARD-244-6

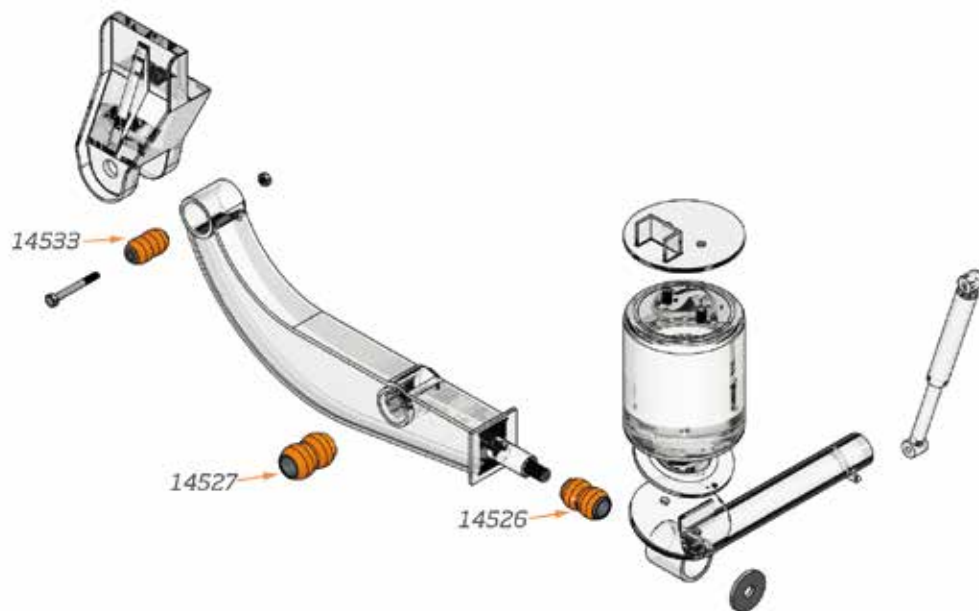
DG101



Códigos GAFF 14514, 14527, 14530, 31592

ARD-234-6

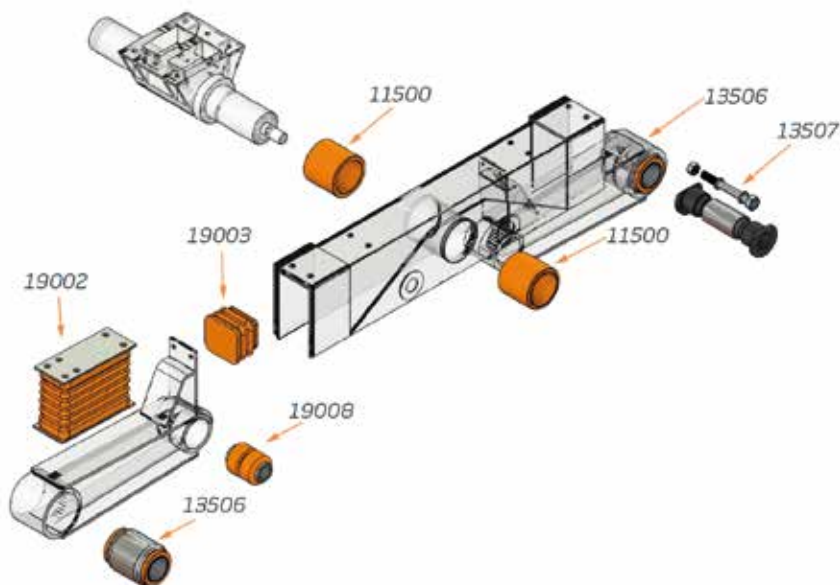
DG102



Códigos GAFF 14526, 14527, 14533

RD-202C-54-44L

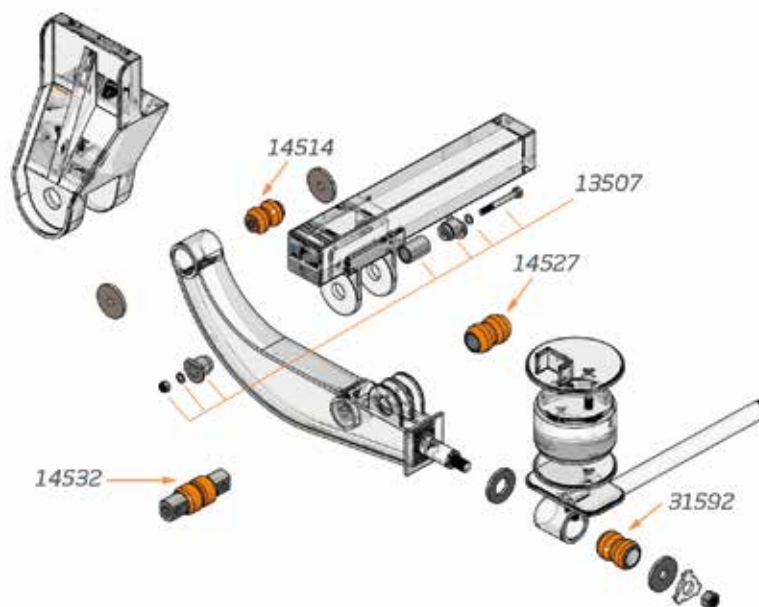
DG120



Códigos GAFF 11500, 13506, 13507, 19002, 19003, 19008

Series AD-123 / 246-6 / 5 / 8 / 7 / 10

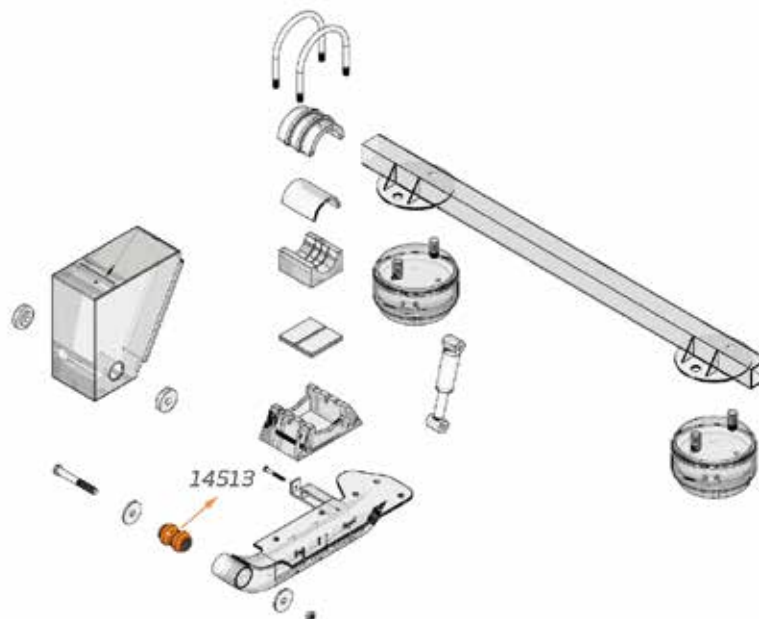
DG135



Códigos GAFF 13507, 14514, 14527, 14532, 31592

Series AR-41 / AR45 / AR45-1

DG136



Códigos GAFF 14513

Buje Inferior para Muelle Spring Bushing, (Lower)

17047



	Inch	mm
ID	11/16	17.46
OD	1 7/16	36.51
LG	1 13/32	35.72
OD<	1 5/32	29.37



Herramienta: Utiliza: 4
Diagrama: Relacionado:
Modelo: Urvan
Año: 2008

OEM# 55046-R800

Nissan Truck

Buje para Muelle Spring Bushing

10074



	Inch	mm
ID	7/8	22.23
OD	1 31/32	50.01
LG	1 23/32	43.66
OD<	1 19/32	40.48



Herramienta: Utiliza: 4
Diagrama: Relacionado: 17046
Modelo:
Año:

OEM#

Buje para Muelle Spring Bushing

17001



	Inch	mm
ID	11/16	17.46
OD	1 13/16	46.04
LG	1 13/32	35.72
OD<	1 9/16	39.69



Herramienta: Utiliza: 4
Diagrama: Relacionado: 17003,
17005, 17005
Modelo: TRUCK 521 /
DATSUN
Año:

OEM# 55047-20400,
55046-VW000

Buje para Muelle Spring Bushing

17002



	Inch	mm
ID	3/4	19.05
OD	1 13/16	46.04
LG	1 13/32	35.72
OD<	1 9/16	39.69



Herramienta: Utiliza: 4
Diagrama: Relacionado: 17004
Modelo: NP300
Año:

OEM# 55047-20400 /
55047-10W00

Buje para Muelle Spring Bushing

17003



	Inch	mm
ID	19/32	15.08
OD	1 1/2	38.10
LG	1 13/32	35.72
OD<	1 5/16	33.34



Herramienta: Utiliza: 4
Diagrama: Relacionado: 17001,
17005, 17005
Modelo: NP300
Año:

OEM# 55045-H1000,
55045-B0700

Suspensión

Buje para Muelle

Spring Bushing

17004

✓ A2

	Inch	mm
ID	3/4	19.05
OD	1 1/2	38.10
LG	1 13/32	35.72
OD<	1 5/16	33.34



Herramienta: Utiliza: 4
 Diagrama: Relacionado: 17002
 Modelo: NP300
 Año:

OEM# 55046-01G00

Buje para Muelle

Spring Bushing

17005

* B

	Inch	mm
ID	21/32	16.67
OD	2 3/32	53.18
LG	1 11/16	42.86
OD<	1 25/32	45.24



Herramienta: Utiliza: 4
 Diagrama: Relacionado: 17001, 17003, 17003
 Modelo:
 Año:

OEM# 55045-01W10

Buje para Muelle

Spring Bushing

17006

* B

	Inch	mm
ID	19/32	15.08
OD	1 13/32	35.72
LG	1 13/16	46.04
LG C-C	1 5/32	29.37



Herramienta: Utiliza: 4
 Diagrama: Relacionado:
 Modelo:
 Año:

OEM#

Buje para Muelle

Spring Bushing

17035

✓ A2

	Inch	mm
ID	25/32	19.84
OD	1 9/16	39.69
LG	1 13/32	35.72
OD<	1 9/32	32.54



Herramienta: Utiliza: 4
 Diagrama: Relacionado:
 Modelo: NP300
 Año:

OEM# 90385-18046

Buje Superior para Muelle

Spring Bushing, (Upper)

17044

* B

	Inch	mm
ID	23/32	18.26
OD	1 13/16	46.04
LG	2 1/16	52.39
OD<	1 13/32	35.72



Herramienta: Utiliza: 4
 Diagrama: Relacionado: 10074
 Modelo: NP300
 Año: 2014

OEM#

Buje Superior para Muelle

Spring Bushing, (Upper)

17046

* B

	Inch	mm
ID	23/32	18.26
OD	2 5/32	54.77
LG	1 3/8	34.93
OD<	1 13/32	35.72



Herramienta: Utiliza: 4
 Diagrama: Relacionado: 10074
 Modelo: NP300
 Año: 2014

OEM#

Buje para Barra de Torsión

Torque Rod Bushing

18830

* B

	Inch	mm
OD	4 5/32	105.57
HO	3/4	19.05
LG C-C	4 11/32	110.33



Herramienta: Utiliza: 4
 Diagrama: Relacionado:
 Modelo: ISUZU / HINO / MITSUBISHI / NISSAN
 Año:

OEM# 55542-Z2001

Kit Acople Coupling Kit

17508



BOLT *Inch* *mm*
M5 X 0.8

Componentes

8 Pzs. Gomas para Cople / 8 Qty. Coupling Rubber
4 Pzs. Tornillo / 4 Qty. Bolt
4 Pzs. Arandelas de Presión / 4 Qty. Spring Washer
2 Pzs. Herrajes / 2 Qty. Fittings



Herramienta: Utiliza: 1
Diagrama: Relacionado: 17541
Modelo:
Año: 2005

OEM#

Kit Acople Coupling Kit

17541



BOLT *Inch* *mm*
3/16-32 UNF

Componentes

8 Pzs. Gomas para Cople / 8 Qty. Coupling Rubber
4 Pzs. Tornillo / 4 Qty. Bolt
4 Pzs. Arandelas de Presión / 4 Qty. Spring Washer
0 Pzs. Herrajes / 2 Qty. Fittings



Herramienta: Utiliza: 1
Diagrama: Relacionado: 17506
Modelo:
Año:

OEM#

Compresor

*Soporte para Cabina Cab Mount

11527



ID *Inch* *mm*
5/8 15.88
OD 2 19/32 65.88
LG 2 1/16 52.39
OD< 1 9/16 39.69



Herramienta: Utiliza: 4
Diagrama: Relacionado: 11529,
Modelo: T800 11612, 11705, 11707,
Año: 11742

OEM# K066-177, 05-08968

Soporte para Cabina Cab Mount

11707



ID *Inch* *mm*
5/8 15.88
OD 2 1/2 63.50
LG 2 50.80
OD< 1 19/32 40.48



Herramienta: Utiliza: 4
Diagrama: Relacionado: 11527,
Modelo: T800 11531, 11531, 11533,
Año: 2005 11612, 11705, 11742,
18938, 18949

OEM# M501, 05-08968

Cabina

Soporte para Cabina Cab Mount

12360



ID *Inch* *mm*
5/8 15.88
OD 3 1/8 79.38
OD< 2 7/8 73.03



Herramienta: Utiliza: 2
Diagrama: Relacionado:
Modelo:
Año:

OEM# 20-08257

Gancho para Cofre Hood Latch

11109



LG *Inch* *mm*
3 27/32 97.63
WD 1 25.40
H 2 50.80
HO 5/32 3.97



Herramienta: Utiliza: 2
Diagrama: DG019 Relacionado: 11134,
Modelo: FL-70-80 / M2 12365, 12365,
Año:

OEM# 17-14781-000,
17QM263A

Cofre

Tope para Cofre Hood Bumper

12359



A4

	Inch	mm
LG	3 3/32	78.58
WD	1 15/16	49.21
HO	7/32	5.56



Herramienta: Utiliza: 2
Diagrama: Relacionado: 12363, 12364, 12370
Modelo: 379/385
Año: 1987

OEM#13-04711, 13-03510

Buje para Cofre Hood Roller

12363



A3

	Inch	mm
ID	2 1/32	16.67
OD	1 1/2	38.10
LG	1 9/16	39.69



Herramienta: Utiliza: 2
Diagrama: Relacionado: 12359, 12364, 12364, 12370
Modelo: 359/379
Año: 1987

OEM#13-03593

Soporte para Cofre Hood Mount

12364



A3

	Inch	mm
LG	3 3/32	78.58
WD	2 11/32	59.53
H	2	50.80



Herramienta: Utiliza: 2
Diagrama: Relacionado: 12359, 12363, 12363, 12370
Modelo: 357/377/
378/379
Año: 1987

OEM#13-03510, 13-04711

Gancho para Cofre Hood Latch

12365



A2

	Inch	mm
LG	8 7/8	225.43



Herramienta: Utiliza: 2
Diagrama: DG019
Modelo: M2
Año: 1987-2011

OEM#L56-0001

Buje para Bisagra de Cofre Hood Hinge Bushing

12367



A6

	Inch	mm
ID	1/2	12.70
OD	1 5/16	33.34
LG	2	50.80



Herramienta: Utiliza: 2
Diagrama: Relacionado: 12365, 12370, 12370
Modelo:
Año:

OEM#13-04588, 13-03440

Soporte para Cofre Hood Mount

12370



A3

	Inch	mm
ID	1/2	12.70
OD	1 25/32	45.24
LG	5/8	15.88
OD<	1 3/16	30.16



Herramienta: Utiliza: 3
Diagrama: Relacionado: 12359, 12363, 12363, 11805, 12409, 12410
Modelo: 379
Año: 1987

OEM#13-04154

Buje para Bisagra de Cofre Hood Hinge Bushing

12409



B

	Inch	mm
ID	5/8	15.88
OD	1 23/32	43.66
LG	1 27/32	46.83
OD<	1	25.40



Herramienta: Utiliza: 1
Diagrama: Relacionado: 12359, 12363, 12363, 12367, 12370
Modelo:
Año:

OEM#13-04727 / 13-04726

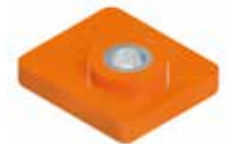
Buje para Bisagra de Cofre Hood Hinge Bushing

12410



A6

	Inch	mm
ID	1/2	12.70
LG	2 1/4	57.15
WD	2	50.80
H	5/8	15.88



Herramienta: Utiliza: 2
Diagrama: Relacionado: 12359, 12363, 12363, 12370
Modelo: 379
Año: 1987

OEM#13-04164, HM75-66164

Soporte para Escape Exhaust Mount

12357



	Inch	mm
ID	13/32	10.32
OD	1 5/16	33.34

Componentes

1 Pz. Soporte Superior para Escape / 1 Qty. Upper Exhaust Mount
1 Pz. Soporte Inferior para Escape / 1 Qty. Lower Exhaust Mount



Herramienta: Utiliza: 2
Diagrama: Relacionado: 11809, 11810
Modelo: 330 / 335 / 367 / 377 / 378 / 379 / 386 / 387 / 389 / 579 / 587
Año:

OEM#14-14656

Soporte para Motor Motor Mount

12355



	Inch	mm
ID	21/32	16.67
OD	2 1/2	63.50
LG	2 1/32	51.59
OD <	1 5/8	41.28



Herramienta: Utiliza: 2
Diagrama: Relacionado: 11613, 12356, 12355, 12368, 12369, 18786, 32075
Modelo: Año: 1987-2011

OEM#05-08968

Soporte para Motor Motor Mount

12356



	Inch	mm
ID	13/16	20.64
OD	2 11/16	68.26
LG	2 13/32	61.12
OD <	1 19/32	40.48



Herramienta: Utiliza: 2
Diagrama: Relacionado: 11613, 12355, 12355, 12368, 12369, 18786, 32075
Modelo: Año:

OEM#05-10197

Soporte Trasero para Motor Motor Mount, Rear

12368



	Inch	mm
ID	25/32	19.84
OD	2 17/32	64.29

Componentes

1 Pz. Soporte Superior para Motor / 1 Qty. Upper Motor Mount
1 Pz. Soporte Inferior para Motor / 1 Qty. Lower Motor Mount



Herramienta: Utiliza: 2
Diagrama: Relacionado: 11613, 12355, 12355, 12360, 12369, 18786, 32075
Modelo: 379W / Cat C15 / C11
Año: 1987

OEM#CB-2203-70

Soporte Trasero para Motor Motor Mount, Rear

12369



	Inch	mm
ID	21/32	16.67
OD	2 17/32	64.29

Componentes

1 Pz. Soporte Superior para Motor / 1 Qty. Upper Motor Mount
1 Pz. Soporte Inferior para Motor / 1 Qty. Lower Motor Mount



Herramienta: Utiliza: 2
Diagrama: Relacionado: 11613, 12355, 12355, 12360, 12368, 18786, 32075
Modelo: 379
Año:

OEM#CB-2203-72

Soporte Trasero para Motor Motor Mount, Rear

32075



	Inch	mm
LG	5 11/32	135.73
WD	3 1/16	77.79



Herramienta: Utiliza: 4
Diagrama: Relacionado:
Modelo: 387 / CAT C-15
Año:

OEM#05-25011-0102

Kit Barra de Torsión Torque Rod Kit

11080



	Inch	mm
LGC-C	24	609.60
THD	1 1/4-12 UNF	
BOLT	5/8-18 UNF	

Componentes

1 Pz. 11754 Barra de Torsión / 1 Qty. 11754 Torque Rod
1 Pz. 13520 Buje para Barra de Torsión / 1 Qty. 13520 Torque Rod Bushing
1 Pz. 13518 Buje para Barra de Torsión / 1 Qty. 13518 Torque Rod Bushing



Herramienta: Utiliza: 2
Diagrama: Relacionado: 11754, 13520, 13520
Modelo: Año:

OEM#K195-376

Kit Barra de Torsión Torque Rod Kit

11751



	Inch	mm
LGC-C	24	609.60

Componentes

1 Pz. 11754 Barra de Torsión / 1 Qty. 11754 Torque Rod
2 Pzs. 13520 Buje para Barra de Torsión / 2 Qty. 13520 Torque Rod Bushing



Herramienta: Utiliza: 2
Diagrama: Relacionado: 13520, 11754, 11754
Modelo: Año:

OEM#K195-375

Escape

Motor

Suspensión

Suspensión

Barra de Torsión 11754

Torque Rod * B

	Inch	mm
ID	2 3/4	69.85
LGC-C	24	609.60



Herramienta: Utiliza: 2
Diagrama: Relacionado: 11751, 13520, 13520
Modelo: Series
Año:

OEM# A13102146A

Buje para Barra de Torsión 11764

Torque Rod Bushing * B

	Inch	mm
ID	7/8	22.23
OD	2 3/8	60.33
LG	2 19/32	65.88



Herramienta: Utiliza: 4
Diagrama: DG069 **Relacionado:** 11765, 13521, 13521
Modelo: Series Airglide para 380 / Air Suspension / Flex Air **Año:**

OEM# K221-5086, RB-292, C136002

Buje para Barra de Torsión 11765

Torque Rod Bushing * B

	Inch	mm
OD	2 3/8	60.33
HO	5/8	15.88
LGC-C	4 13/32	111.92



Herramienta: Utiliza: 4
Diagrama: DG069 **Relacionado:** 11764, 13521, 13521
Modelo: Series Airglide para 380 / Air Suspension / Flex Air **Año:**

OEM# S1879, RB291, C136001

Barra de Torsión 11770

Torque Rod ✓ A4

	Inch	mm
ID	2 3/4	69.85
LGC-C	19 27/32	504.03



Herramienta: Utiliza: 4
Diagrama: Relacionado: 11729, 11773, 11773
Modelo: Airglide para Triparam **Año:**

OEM# K195-472, K195-474

Kit Barra de Torsión 11773

Torque Rod Kit ✓ A4

	Inch	mm
LGC-C	19 27/32	504.03



Componentes
 1 Pz. 11770 Barra de Torsión / 1 Qty. 11770 Torque Rod
 2 Pzs. 11729 Buje para Barra de Torsión / 2 Qty. 11729 Torque Rod Bushing

Herramienta: Utiliza: 2
Diagrama: Relacionado: 11770, 11729, 11729
Modelo: Airglide para Triparam **Año:**

OEM# K195-472, K195-474, TR59-41474

Kit Barra de Torsión 11792

Torque Rod Kit ✓ A5

	Inch	mm
LGC-C	25 9/16	649.29



Componentes
 1 Pz. 11797 Barra de Torsión / 1 Qty. 11797 Torque Rod
 2 Pzs. 13521 Buje para Barra de Torsión / 2 Qty. 13521 Torque Rod Bushing

Herramienta: Utiliza: 2
Diagrama: Relacionado: 11797, 13521, 13521
Modelo: Series Airglide para 380 / Air Suspension / Flex Air **Año:** 2009-2011

OEM# C65-6009, C65-6002

Barra de Torsión 11797

Torque Rod ✓ A5

	Inch	mm
ID	1 3/4	44.45
LGC-C	25 9/16	649.29



Herramienta: 13753 / 18836 / 11071 / 13754
Diagrama: Utiliza: 2
Relacionado: 11792, 13521, 13521
Modelo: Series Airglide para 380 / Air Suspension / Flex Air **Año:** 2009-2011

OEM# C65-6009

Buje para Suspensión de Aire 12350

Air Leaf Bushing ✓ A3

	Inch	mm
ID	1 3/4	44.45
OD	2 1/2	63.50
LG	2 5/8	66.68



Herramienta: Utiliza: 4
Diagrama: DG097, DG099 **Relacionado:** 12351, 12354, 12354, 12362
Modelo: Air leaf **Año:**

OEM# 03-01674, 03-07016

Arandela para Suspensión Beam End Washer

12351



	Inch	mm
ID	1 3/4	44.45
OD	2 5/8	66.68
LG	15/16	23.81



Herramienta: Utiliza: 4
Diagrama: DG097, Relacionado: 12350, DG099 12354, 12351, 12362
Modelo: Air leaf / Low air leaf
Año:

OEM# 03-01675

Buje para Muelle Spring Bushing

12354



	Inch	mm
ID	1 3/4	44.45
OD	2 1/2	63.50
LG	2 3/8	60.33



Herramienta: Utiliza: 2
Diagrama: DG099 Relacionado: 12350, 12351, 12351, 12362
Modelo:
Año: 2000

OEM# 03-05101

Kit Bujes para Muelle Low Air Leaf Bushing Kit

12361



	Inch	mm
LG	8 1/2	215.90
BOLT	1-14 UNF	

Componentes

2 Pzs. 12350 Buje / 2 Qty. 12350 Bushing
2 Pzs. 12351 Arandela para Suspensión / 2 Qty. 12351 Beam End Washer
1 Pz. MP00405 Tornillo / 1 Qty. MP00405 Bolt
1 Pz. MP00404 Tuerca / 1 Qty. MP00404 Nut
2 Pzs. 12415 Arandelas / 2 Qty. 12415 Washers



Herramienta: Utiliza: 2
Diagrama: DG097 Relacionado: 12350, 12351, 12351, 12362
Modelo:
Año:

OEM# 03AL01

Kit Bujes para Muelle Low Air Leaf Bushing Kit

12362



	Inch	mm
LG	8	203.20
BOLT	1-14 UNF	

Componentes

2 Pzs. 12354 Buje / 2 Qty. 12354 Bushing
2 Pzs. 12351 Arandela para Suspensión / 2 Qty. 12351 Beam End Washer
1 Pz. MP00405-1 Tornillo / 1 Qty. MP00405-1 Bolt
1 Pz. MP00404 Tuerca / 1 Qty. MP00404 Nut
2 Pzs. 12415 Arandelas / 2 Qty. 12415 Washers



Herramienta: Utiliza: 2
Diagrama: DG099 Relacionado: 12350, 12351, 12351, 12361
Modelo: 379
Año: 1987

OEM# 03AL02, 03AL2

Albardón Shackle Side Bar

12375



	Inch	mm
LG	6	152.40
WD	2 1/4	57.15
HO	1 1/4	31.75
LG C-C	3 1/2	88.90



Herramienta: Utiliza: 2
Diagrama: Relacionado: 12361, DG097 12362, 12362
Modelo:
Año:

OEM# 02-01154

Kit Barra de Torsión Torque Rod Kit

12395



	Inch	mm
LG C-C	17 5/16	439.74

Componentes

1 Pz. 12406 Barra de Torsión / 1 Qty. 12406 Torque Rod
1 Pz. 13520 Buje para Barra de Torsión / 1 Qty. 13520 Torque Rod Bushing
1 Pz. 13528 Buje para Barra de Torsión / 1 Qty. 13528 Torque Rod Bushing



Herramienta: Utiliza: 2
Diagrama: Relacionado: 13520 DG099
Modelo: Air Trac
Año: 2006-2010

OEM# 03-04327

Kit Barra de Torsión Torque Rod Kit

12398



	Inch	mm
LG C-C	25 9/16	649.29

Componentes

1 Pz. 12404 Barra de Torsión / 1 Qty. 12404 Torque Rod
2 Pzs. 13520 Buje para Barra de Torsión / 2 Qty. 13520 Torque Rod Bushing



Herramienta: Utiliza: 2
Diagrama: Relacionado: 13520 DG099
Modelo: Low Mount Leaf
Año: 2009-2012

OEM#

Buje para Barra de Torsión Torque Rod Bushing

13518



	Inch	mm
OD	2 3/4	69.85
LG	8 1/16	204.79
THR	1 1/4-12 UNF	
THD	1 1/4-12 UNF	
BOLT	5/8-18 UNF	



Herramienta: 13584 / Utiliza: 2
18833 / 40131 Relacionado: 13520
Diagrama: DG049, DG050, Año:
DG053, DG054, DG134
Modelo: T2000 / T600 / T800 / W900 / Series RS

OEM# 229610, 44697, 64400-004L, 66649-004, 44697-000L, 1693066C1, 02-29610, 229610

Suspensión

Buje para Barra de Torsión

Torque Rod Bushing

13520



A2

	Inch	mm
OD	2 3/4	69.85
HO	21/32	16.67
LG C-C	4 3/8	111.13



Herramienta: 40131 / 18551 / 18833
Diagrama: DG042, DG049, DG050, DG053, DG054, DG065, DG066, DG068, DG098, DG099, DG128, DG134
Modelo: Series RS 400/ 403/ 460/ 463/ Series RT 380/ 440/ Series RT 340/ Series RS/ RTE 400/ 403/ 460/ 463

Utiliza: 12
Relacionado: 13518, 13522, 13522, 11714, 13536, 13582, 13618
Año:

OEM# 44695-000L, 227720, 836940, 839310, 44695, 64400-002L, 66649-002, 1693061C1, 1688-227720, 02-27720, 227720

Buje para Barra de Torsión

Torque Rod Bushing

13521



A1

	Inch	mm
OD	2	50.80
HO	21/32	16.67
LG C-C	4 13/32	111.92



Herramienta: 11071 / 18836
Diagrama: DG040, DG041, DG042, DG043, DG043, DG044, DG045, DG046, DG047
Modelo: Primaax EX 262/522/782/Firemaax EX 272/542/ Primaax 230/460/630/Firemaax 240/480/Series E4-360/400

Utiliza: 4
Relacionado: 13524, 13527, 13582, 13597, 13598, 13627, 14010, 34539, 34562
Año:

OEM# A16-119448, HDR 47691 000L, 47691000, 47691, 47691-000L, H476 91000L, HD47691000L, HUD4769100 0L / 47691, HDR47691000L, 4000-476 91000L, 85107110, 47691-000L, R305 275, 47691

Buje para Barra de Torsión

Torque Rod Bushing

13522



A2

	Inch	mm
OD	2 17/32	64.29
HO	21/32	16.67
LG C-C	4 3/8	111.13



Herramienta: 18553 / 18833 / 40131
Diagrama: DG097, DG098, DG128, DG130, DG131
Modelo: Air leaf / Air Trac Single/Air Ripara

Utiliza: 4
Año:
Relacionado: 13518, 13520, 13520, 11714

OEM# 151087-148, 44694, 44694-000L, 1693060C1, 1688-227710, 02-27710, 227710, 8079894

Buje para Amortiguador

Shock Absorber Bushing

30507



A2

	Inch	mm
ID	1	25.40
OD	1 29/32	48.42
LG	15/16	23.81
OD<	1 17/32	38.89



Herramienta:
Diagrama: DG097
Modelo: Air Leaf
Año:

Utiliza: 8
Relacionado: 11550

OEM# 373023403, K066-B-238

Soporte para Radiador

Radiator Mount

11522



A3

	Inch	mm
ID	5/8	15.88
OD	2 7/8	73.03
LG	1 1/4	31.75
OD<	1 13/16	46.04



Herramienta:
Diagrama:
Modelo: Pegaso
Año:

Utiliza: 8
Relacionado: 12366, 11804, 11804

OEM# J7165-1, 07-03286, 04-9009996

*Soporte para Radiador

Radiator Mount

11554



A2

	Inch	mm
ID	13/32	10.32
OD	1	25.40
LG	1	25.40
OD<	27/32	21.43



Herramienta:
Diagrama:
Modelo:
Año:

Utiliza: 2
Relacionado: 11804

OEM# 13-01633, M200

Kit Soporte para Enfriador de Aire

Air Cooler Mount Kit

11804



B

	Inch	mm
BOLT	M10 X 1.5	

Componentes

4 Pzs. 11804 Kit Soporte para Enfriador de Aire / 4 Qty. 11804 Air Cooler Mount Kit
 4 Pzs. HT00080-4 Tornillo / 4 Qty. HT00080-4 Bolt
 4 Pzs. 11804 RG Arandela / 4 Qty. 11804 RG Washer
 4 Pzs. HT00080-5 Tuerca / 4 Qty. HT00080-5 Nut



Herramienta:
Diagrama:
Modelo: T800 / T600
Año: 2008-2010

Utiliza: 1
Relacionado: 11523, 12366, 12366

OEM# N4751001, EM75-61001

Buje para Radiador

Radiator Bushing

12366



A2

	Inch	mm
ID	5/8	15.88
OD	1 3/16	30.16
LG	23/32	18.26
OD<	1	25.40



Herramienta:
Diagrama:
Modelo: 357
Año:

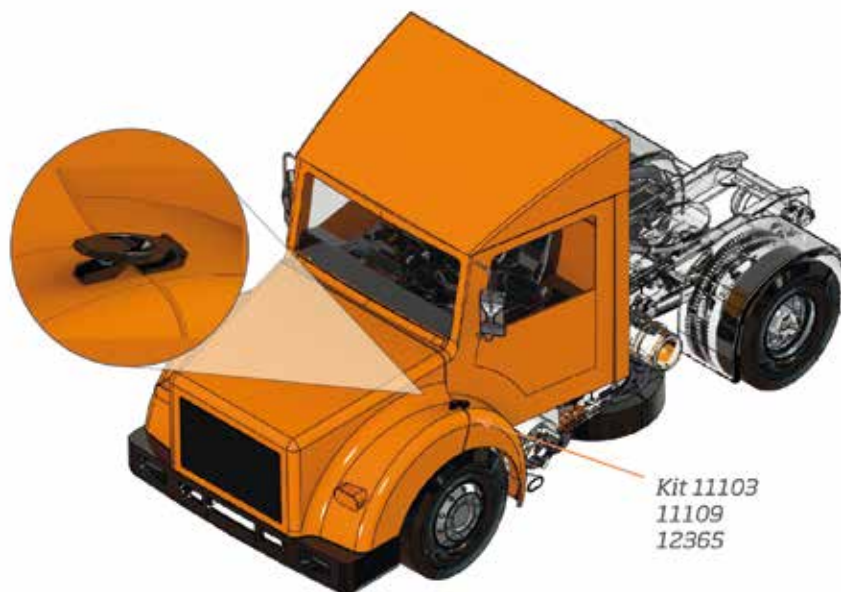
Utiliza: 2
Relacionado: 11523, 11804, 11804

OEM# 07-02552

Temperatura

Hood Hoonk M2 / FLD 112

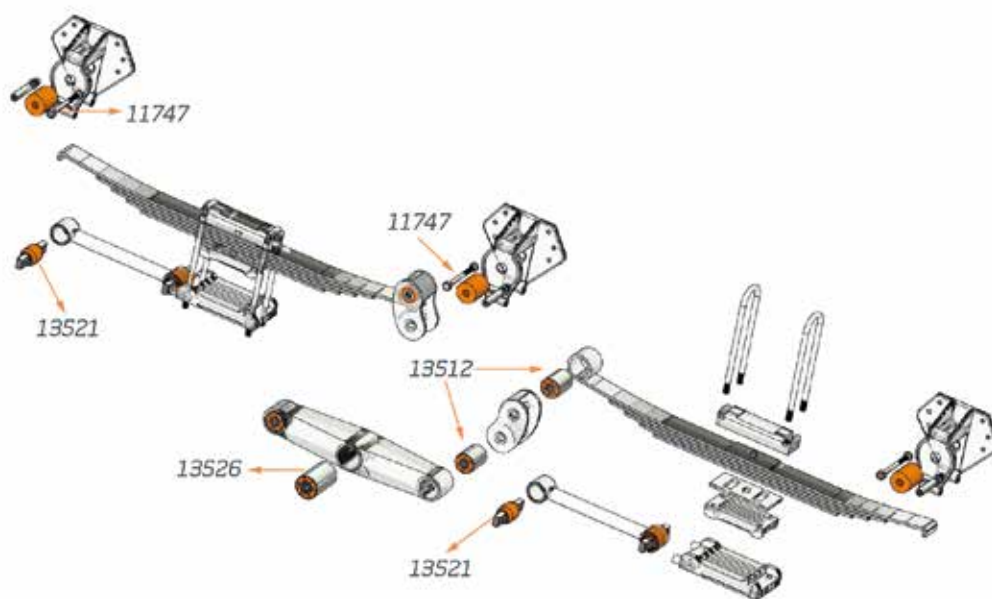
DG019



Códigos GAFF 11103, 11109, 12365

Serie E4-360 / 400

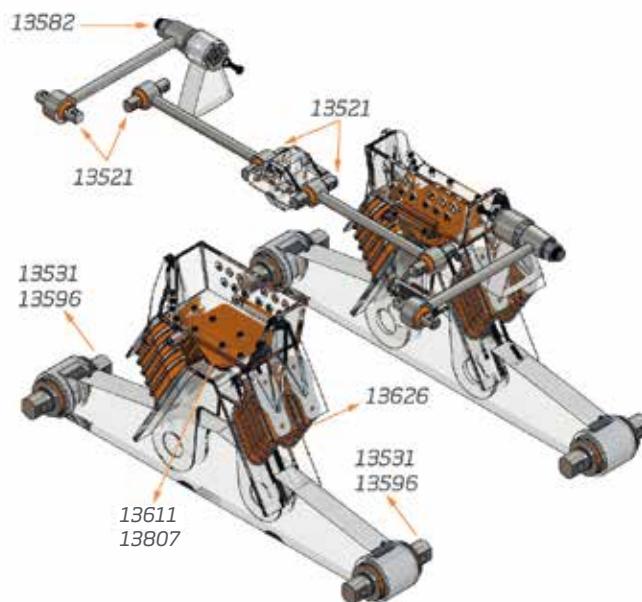
DG040



Códigos GAFF 11747, 13512, 13521, 13526

Haulmaax

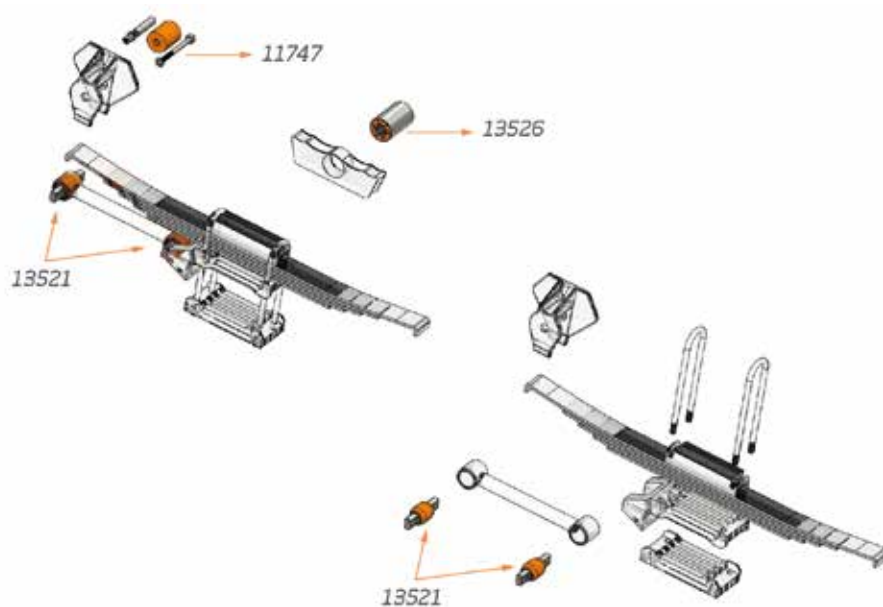
DG043



Códigos GAFF 13521, 13531, 13582, 13596, 13611, 13626, 13807

Series HFS-360 / 400

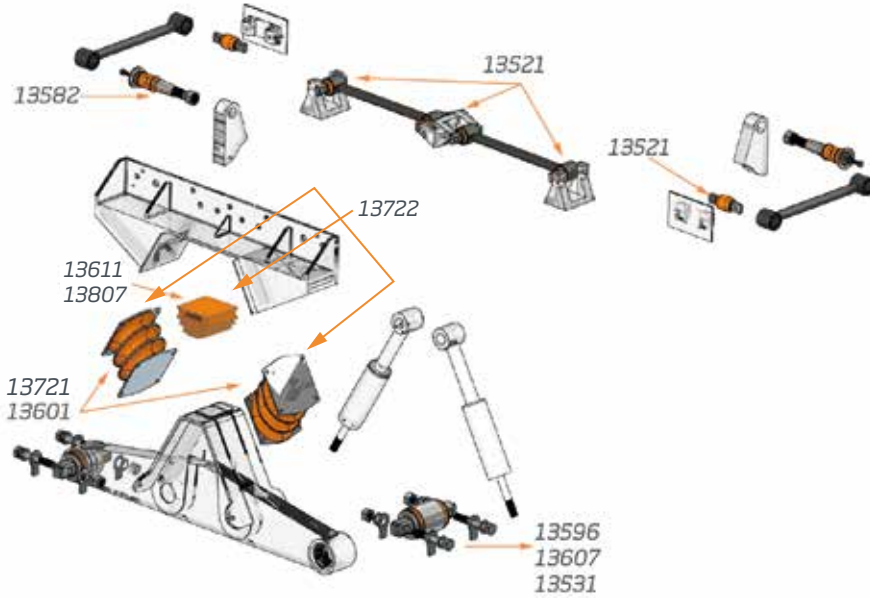
DG044



Códigos GAFF 11747, 13521, 13526

Series HN-402 / 460 / 462 / 522

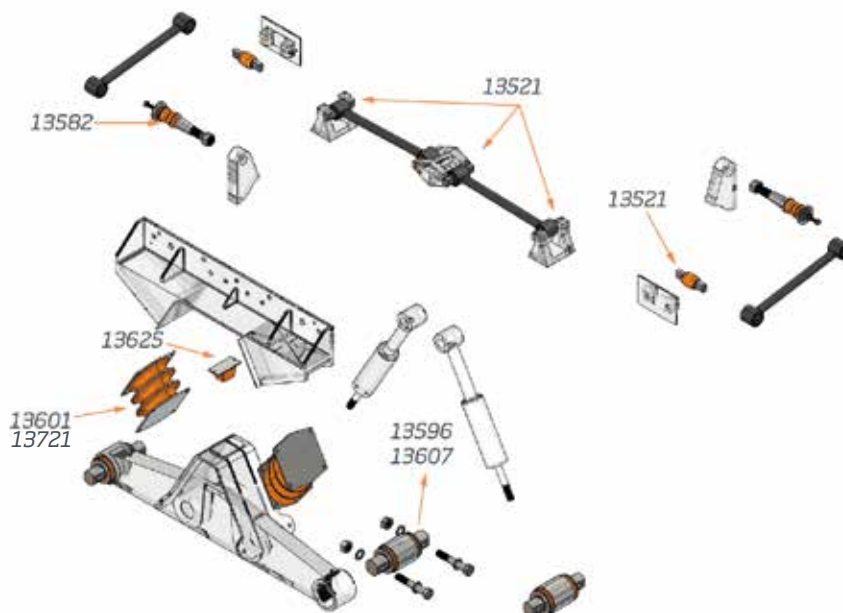
DG045



Códigos GAFF 13521, 13531, 13582, 13596, 13601, 13607, 13611, 13721, 13722, 13807

Series HN-402 / 462

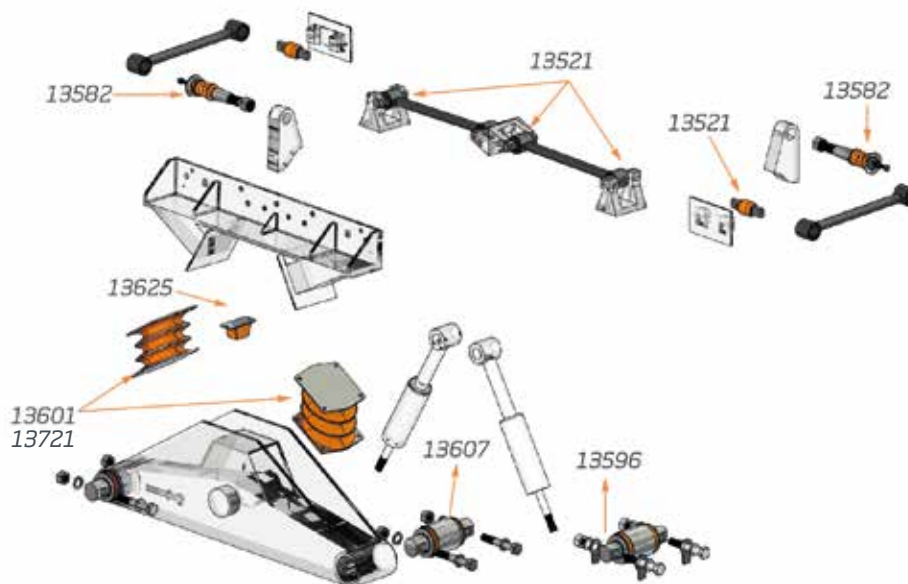
DG046



Códigos GAFF 13521, 13582, 13596, 13601, 13607, 13625, 13721

Series HN-460

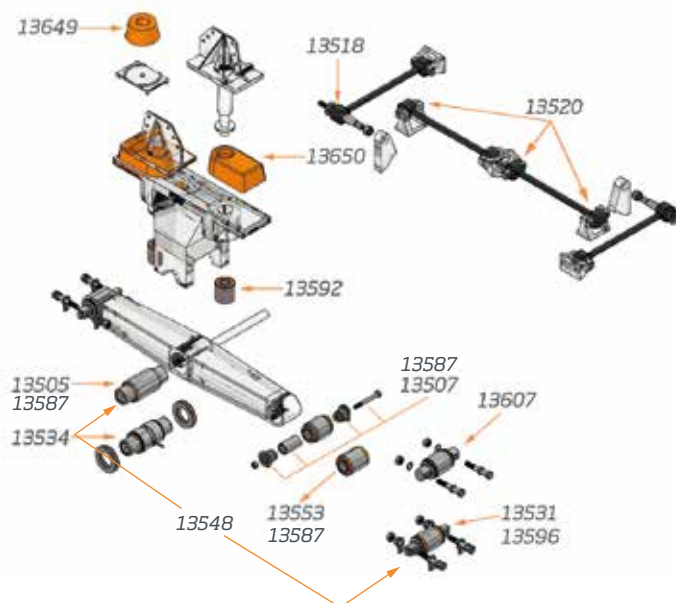
DG047



Códigos GAFF 13521, 13582, 13596, 13601, 13607, 13625, 13721

Series RS 400 / 403 / 460 / 463

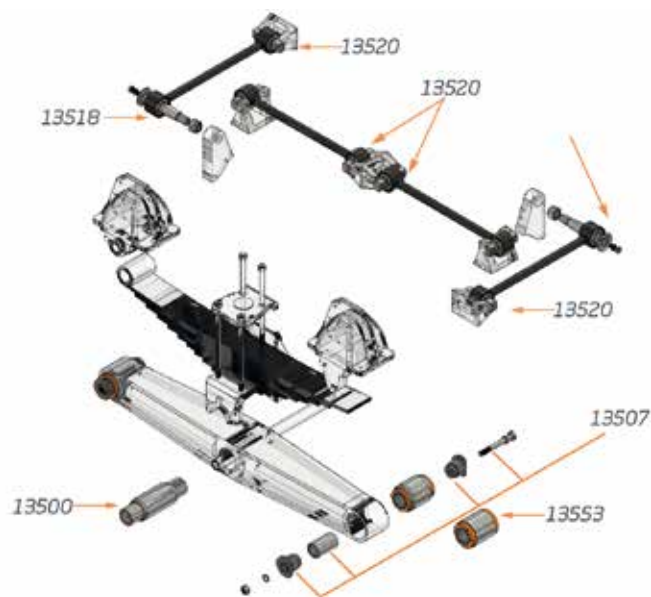
DG049



Códigos GAFF 13505, 13507, 13518, 13520, 13531, 13534, 13548, 13553, 13587, 13592, 13596, 13607, 13649, 13650

Series RT-650

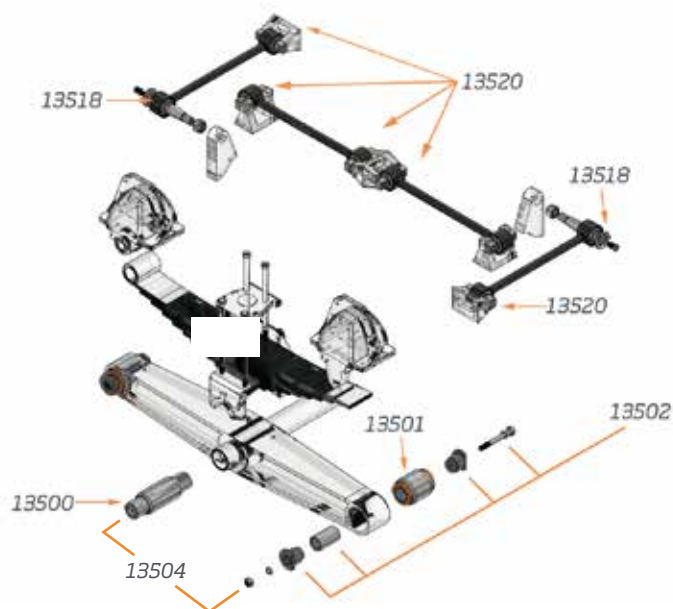
DG050



Códigos GAFF 13500, 13507, 13518, 13520, 13553

Series RT-340

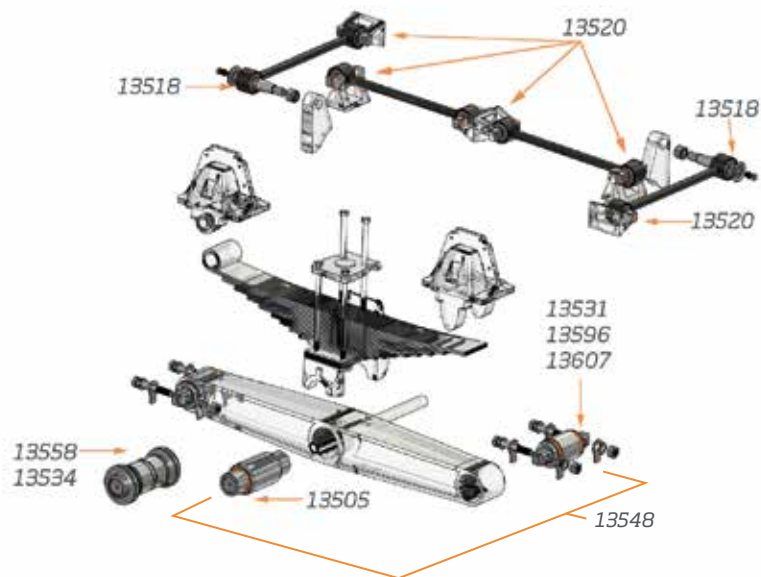
DG053



Códigos GAFF 13500, 13501, 13502, 13504, 13518, 13520

Series RT / RTE-400 / 403 / 460 / 463

DG054



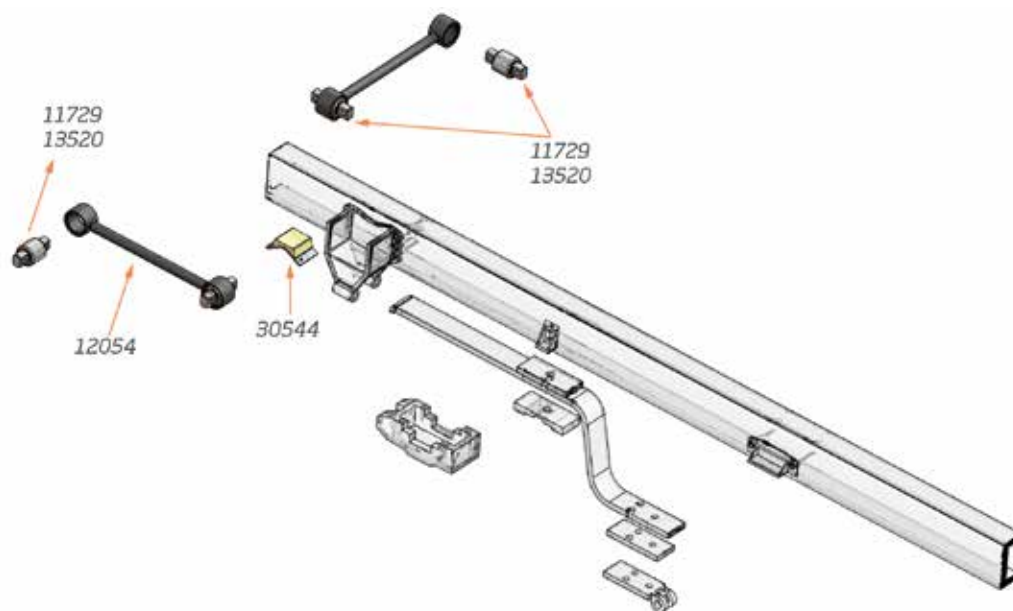
Códigos GAFF

13505, 13518, 13520, 13531, 13534, 13548, 13558, 13596, 13607

13505, 13518, 13520, 13531, 13534, 13548, 13558, 13596, 13607

Tandem Rear Axle

DG065

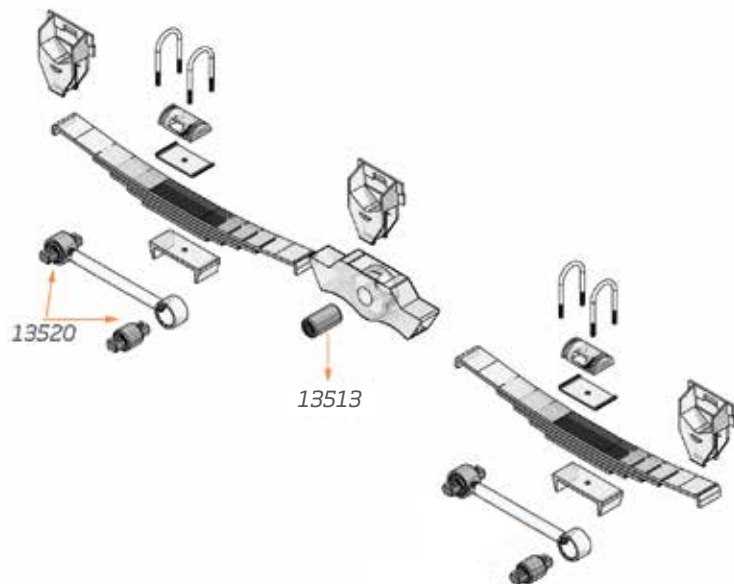


Códigos GAFF

11729, 12054, 13520, 30544

Drive Axle Truck

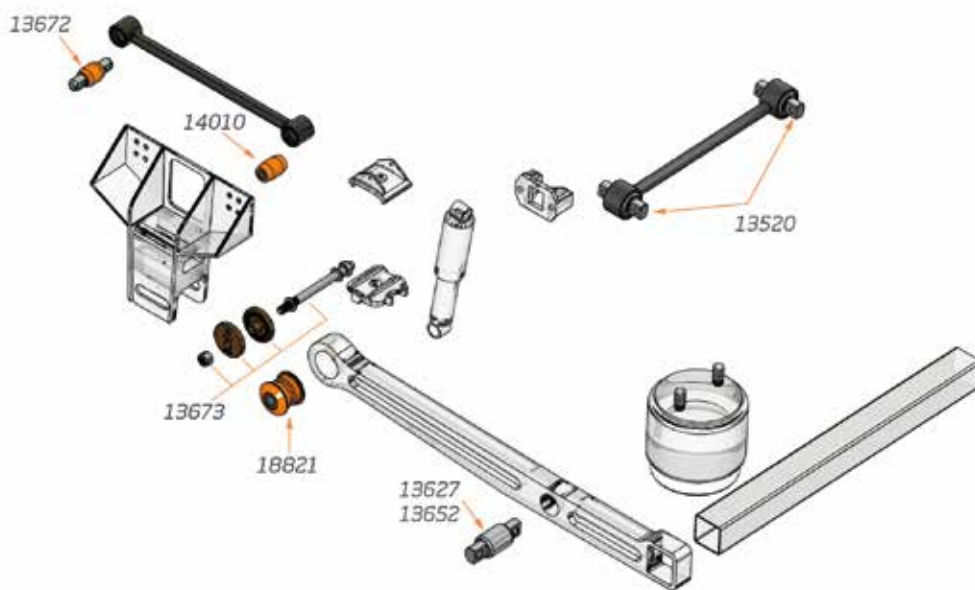
DG066



Códigos GAFF 13513, 13520

Primaax 230 / 460 / 690 8 1/2" a 10"

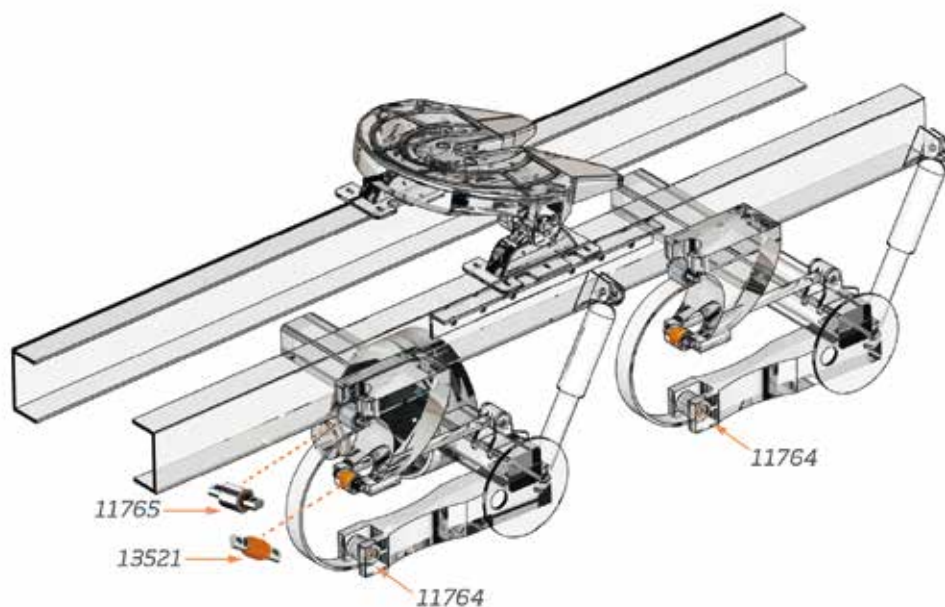
DG068



Códigos GAFF 13520, 13627, 13652, 13672, 13673, 14010, 18821

Serie Airslide 380

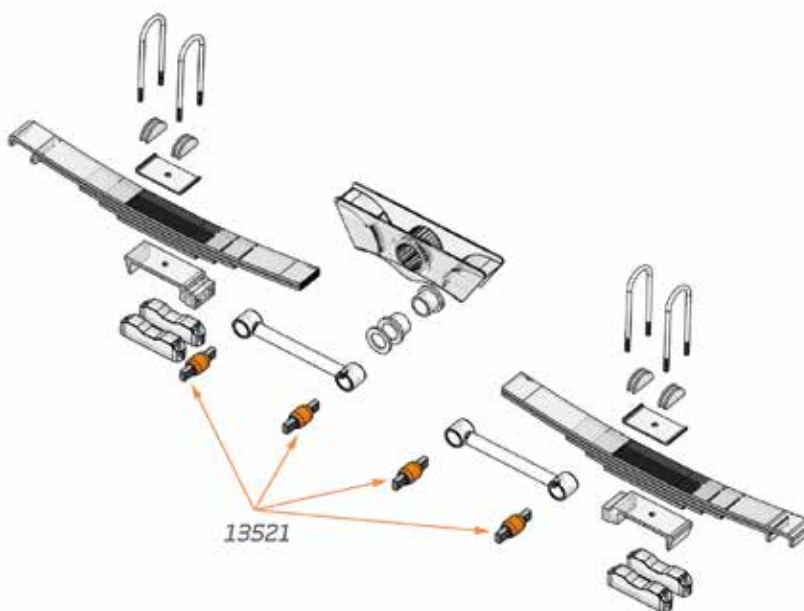
DG069



Códigos GAFF 11764, 11765, 13521

4 Muelles

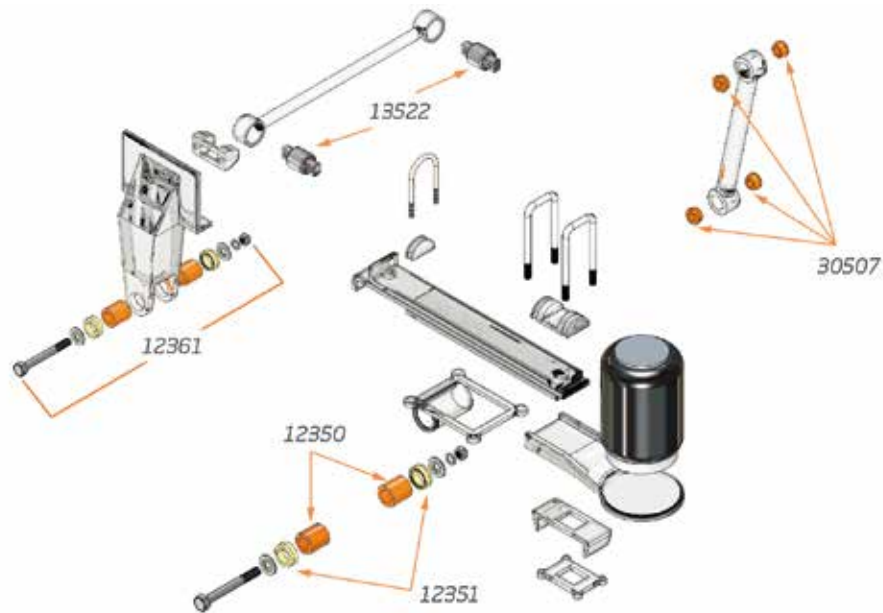
DG096



Códigos GAFF 13521

Air Leaf

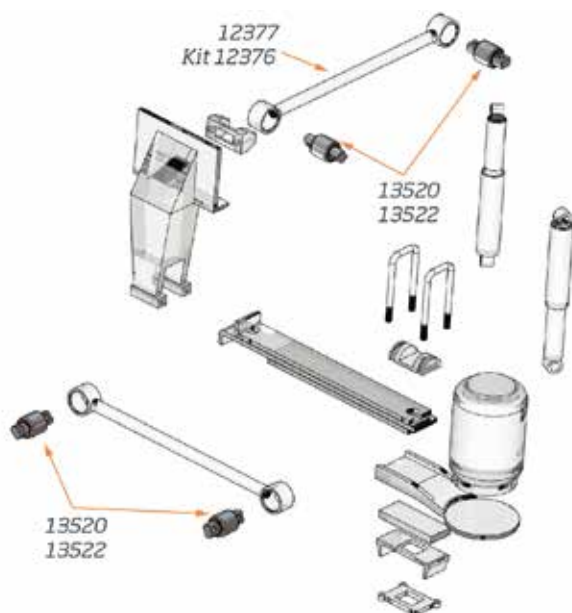
DG097



Códigos GAFF 12350, 12351, 12361, 13522, 30507

Air Trac Single

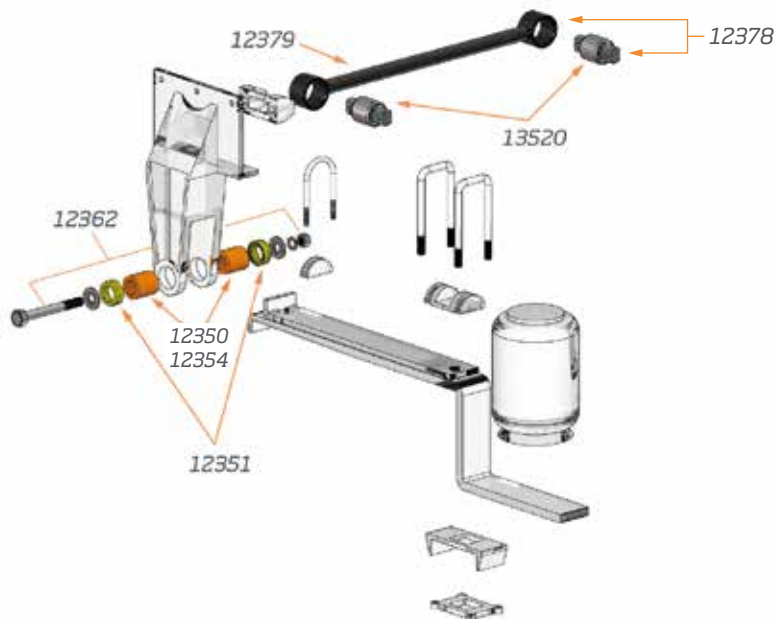
DG098



Códigos GAFF 12376, 12377, 13520, 13522

Low Air Leaf

DG099

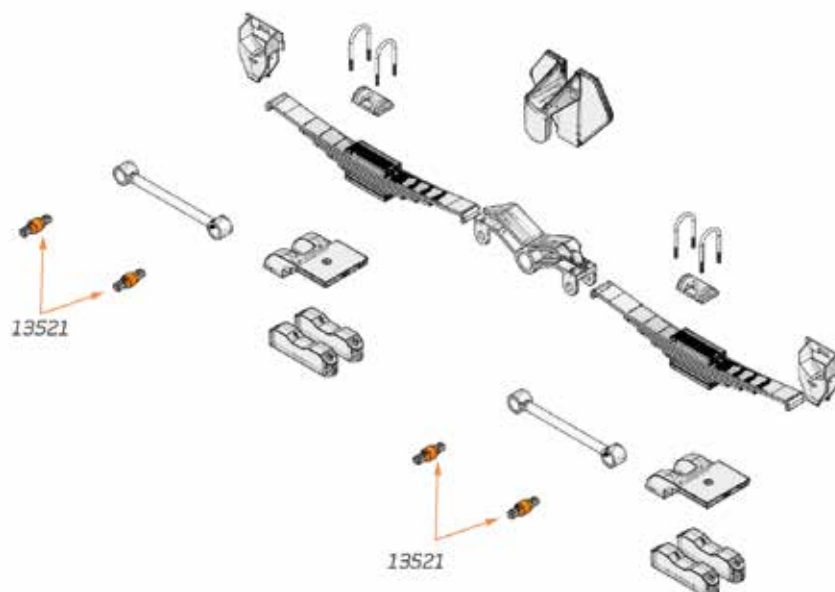


Códigos GAFF

12350, 12351, 12354, 12362, 12378, 12379, 13520

Quadraflex

DG100

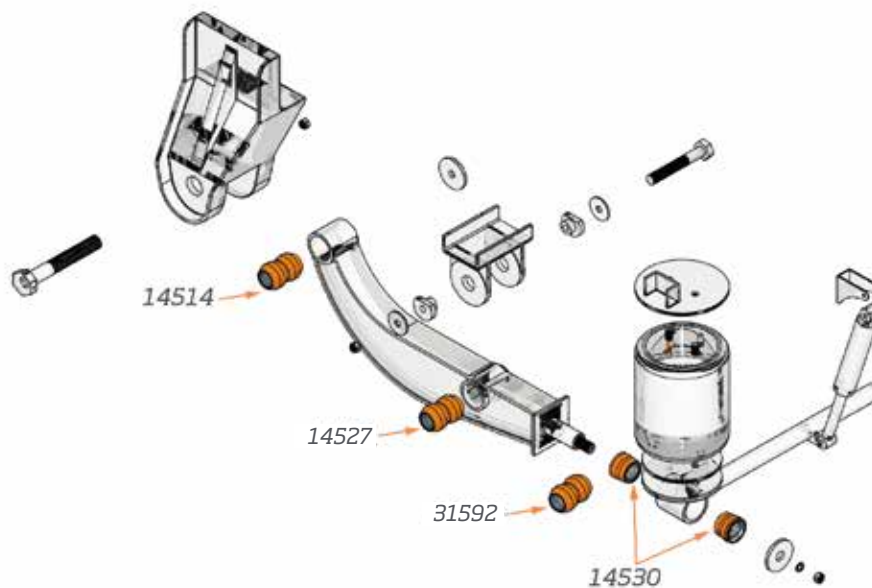


Códigos GAFF

13521

ARD-125-6 / ARD-244-6

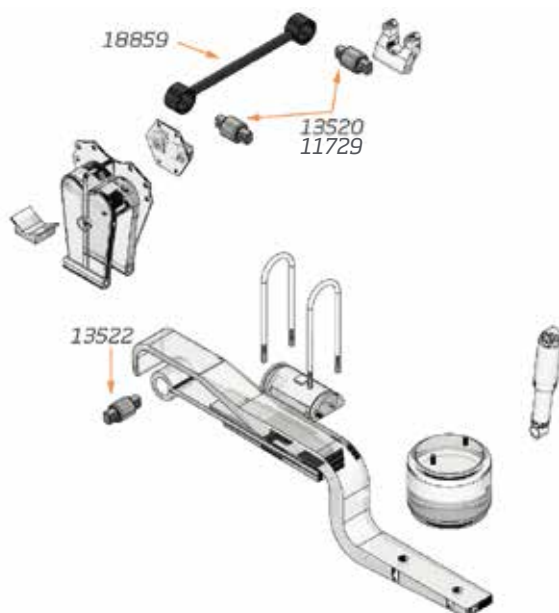
DG101



Códigos GAFF 14514, 14527, 14530, 31592

Air Ride

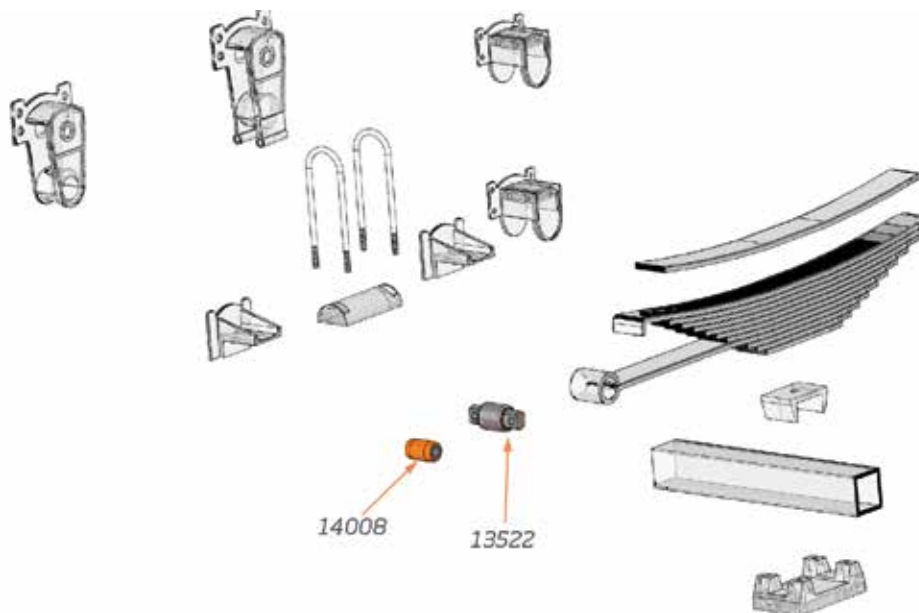
DG128



Códigos GAFF 11729, 13520, 13522, 18859

Eje Trasero

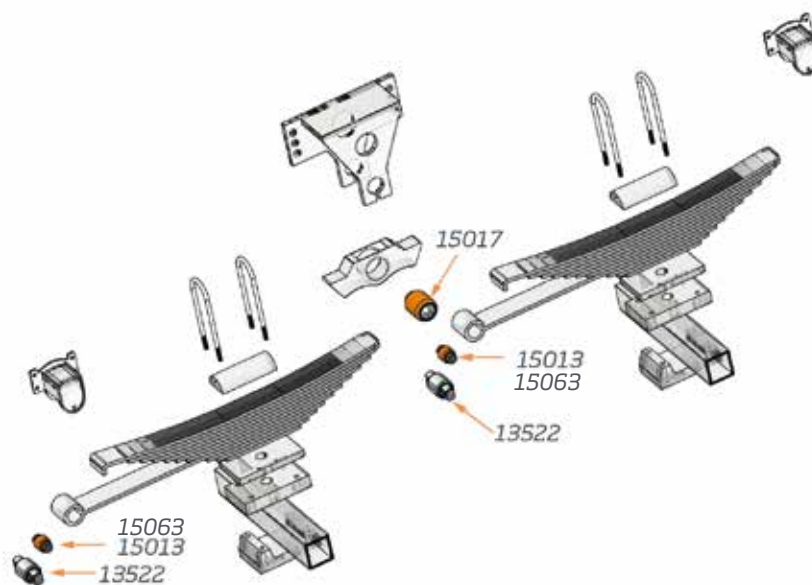
DG130



Códigos GAFF 13522, 14008

4 Muelles

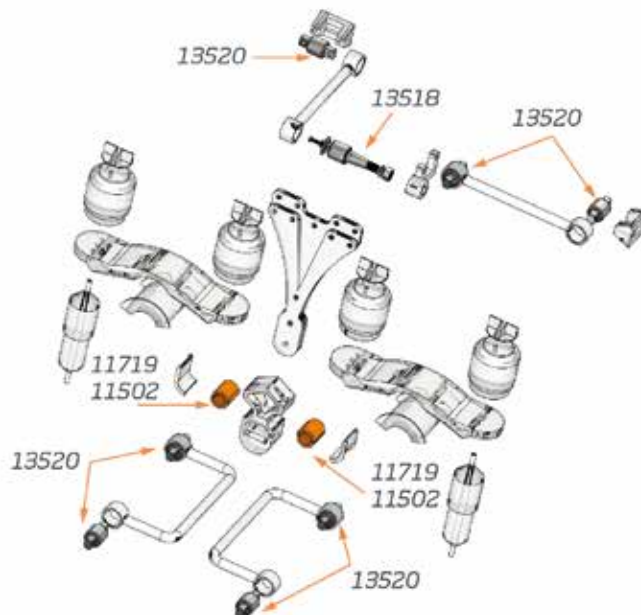
DG131



Códigos GAFF 13522, 15013, 15017, 15063

Serie Airslide

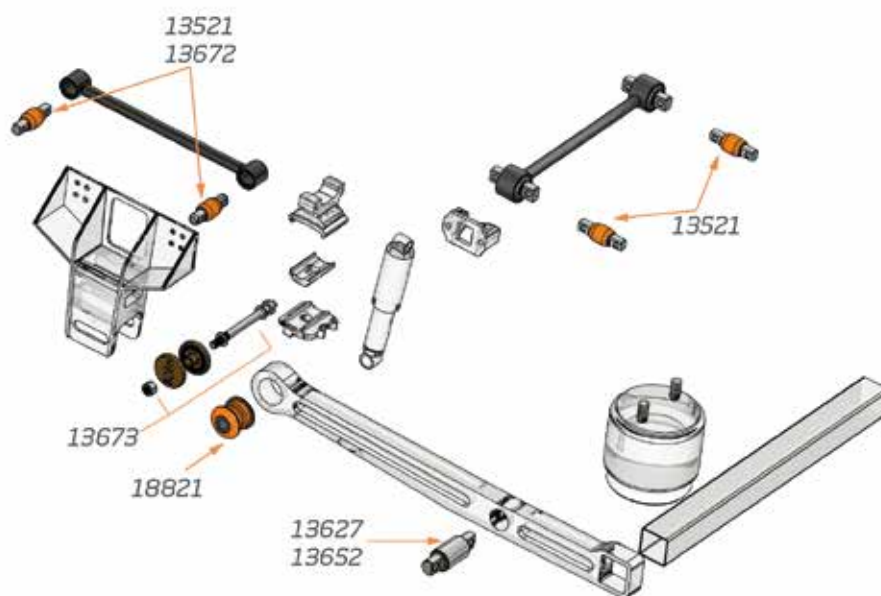
DG134



Códigos GAFF 11502, 11719, 13518, 13520

Primaax EX 262/522/782, Firemax EX 272/542 8 1/2" 10"

DG138



Códigos GAFF 13521, 13627, 13652, 13672, 13673, 18821

Buje para Gancho de Doly Drawbar Eye Bushing

18574



	Inch	mm
ID	2 1/32	51.59
OD	3 17/32	89.69
LG	3 15/32	88.11



OEM# 348A

Herramienta: Utiliza: 2
 Diagrama: Relacionado: 18575
 Modelo: Doly Premiere
 Año:

Buje para Gancho de Doly Drawbar Eye Bushing

18575



	Inch	mm
ID	2	50.80
OD	3 17/32	89.69
LG	1 3/4	44.45



OEM# 448-A

Herramienta: Utiliza: 4
 Diagrama: Relacionado: 18574
 Modelo: Doly Premier
 Año:

Suspensión

*Soporte para Cabina Cab Mount

12504



	Inch	mm
ID	3/4	19.05
OD	3 13/16	96.84
LG	1 7/8	47.63
OD<	1 7/8	47.63



OEM#

Herramienta: Utiliza: 2
 Diagrama: Relacionado:
 Modelo:
 Año:

Soporte para Radiador Radiator Mount

12507



	Inch	mm
ID	1/2	12.70
OD	1 3/4	44.45



OEM#

Herramienta: Utiliza: 4
 Diagrama: Relacionado:
 Modelo:
 Año:

Cabina

Temperatura

Suspensión

Buje para Horquilla 40201

Control Arm Bushing * B

	Inch	mm
ID	5/8	15.88
OD	2 1/8	53.98
LG	2 3/4	69.85
OD<	2	50.80



Herramienta: Utiliza: 2
 Diagrama: Relacionado: 40202
 Modelo: Mascott
 Año: 2008

OEM# 5010537367

Buje para Amortiguador 40202

Shock Absorber Bushing N A2

	Inch	mm
ID	15/32	11.91
OD	1 5/8	41.28
LG	1 1/2	38.10



Herramienta: Utiliza: 2
 Diagrama: Relacionado: 40201
 Modelo: Mascott
 Año: 2008

OEM# 5010537287

Kit Buje para Barra Estabilizadora 40207

Sway Bar Bushing Kit * B

	Inch	mm
OD	1 5/16	33.34
LG	2 3/8	60.33
BOLT	M12X1.75	



Componentes

- 4 Pzs. Buje / 4 Qty. Bushing
- 2 Pzs. Tornillo / 2 Qty. Bolt
- 2 Pzs. Tuerca tipo Gripco / 2 Qty. Nylon Insert Nut
- 4 Pzs. Arandela / 4 Qty. Washer

Herramienta: Utiliza: 2
 Diagrama: Relacionado:
 Modelo: Mascott
 Año: 2008

OEM# 5010537282

Suspensión

Buje para Balancín 14002

Equalizer Bushing ✓ A3

	Inch	mm
ID	1	25.40
OD	3 5/16	84.14
LG	4	101.60



Herramienta: Utiliza: 2
 Diagrama: DG058, Relacionado: 14038
 DG059, DG060, DG061, Año:
 DG064
 Modelo: 86 / 88 / 89
 Four Spring

OEM# 064902, K0649-02

Buje para Barra de Torsión 14010

Torque Rod Bushing ✓ A2

	Inch	mm
ID	7/8	22.23
OD	2	50.80
LG	3	76.20



Herramienta: 18836/ Utiliza: 2
 40124 Año:
 Diagrama: DG068, Relacionado: 13582,
 DG104 13524, 13524, 13627,
 Modelo: Primaax 230/ 13597, 13598, 13672
 460/ 690/ Firemax
 240/ 480 / 181-101F

OEM# 47692, 47692-000,
 13945-01

Buje para Balancín Equalizer Bushing

15000



	Inch	mm
ID	1 1/4	31.75
OD	3 5/32	80.17
LG	4 1/2	114.30



Herramienta: Utiliza: 2
Diagrama: DG110, Relacionado: 15001, 15008, 15008, 15013, 15051
Modelo: DG112, DG113, DG118
Año:

OEM# 08915-01, 8995-01

Buje para Balancín Equalizer Bushing

15001



	Inch	mm
ID	1 1/2	38.10
OD	3 5/32	80.17
LG	4 1/2	114.30



Herramienta: Utiliza: 2
Diagrama: DG110, Relacionado: 15000, 15008, 15008, 15013, 15051
Modelo: Series 83/ Series 101 / Series 102A / Series 101A / Series 201
Año:

OEM# 14713-01

Buje para Balancín Equalizer Bushing

15005



	Inch	mm
ID	2 3/8	60.33
OD	4 1/16	103.19
LG	2 9/16	65.09



Herramienta: Utiliza: 4
Diagrama: DG106 Relacionado: 15006
Modelo: Premier
Año:

OEM# T-2102

Buje para Balancín Equalizer Bushing

15006



	Inch	mm
ID	2 1/2	63.50
OD	4	101.60
LG	2 1/2	63.50
OD<	3 15/32	88.11



Herramienta: Utiliza: 4
Diagrama: DG106 Relacionado: 15005
Modelo: Premier
Año:

OEM#

Buje para Barra de Torsión Torque Rod Bushing

15008



	Inch	mm
ID	1 1/16	26.99
OD	3 1/8	79.38
LG	2 27/32	72.23
OD<	1 13/16	46.04



Herramienta: Utiliza: 4
Diagrama: DG113, Relacionado: 15000, 15001, 15001, 15013, 15051
Modelo: 102 AR / 140 AR / 240 AR
Año:

OEM# T-1842

Buje para Barra de Torsión Torque Rod Bushing

15009



	Inch	mm
ID	1	25.40
OD	3 1/16	77.79
LG	2 7/8	73.03
OD<	1 13/16	46.04



Herramienta: Utiliza: 4
Diagrama: DG112, Relacionado: 15000, 15001, 15001, 15013, 15051
Modelo: Random
Año:

OEM# T-1723

Buje para Barra de Torsión Torque Rod Bushing

15013



	Inch	mm
ID	7/8	22.23
OD	1 15/16	49.21
LG	3	76.20



Herramienta: 18836 / 40124 / 50049
Diagrama: DG107, DG108, DG109, DG110, DG111, DG114, DG115, DG118, DG119, DG131
Modelo: Series 73 / Series 79KB / Series 83 / Series 86AR / Series TRANSPRO 86 / 88 / Series 102AR / Series 240AR / Series 101A
Año:

OEM# 09729-01

Buje para Balancín Equalizer Bushing

15016



	Inch	mm
ID	1 5/8	41.28
OD	3 13/32	86.52
LG	4 1/2	114.30
OD<	2 23/32	69.06



Herramienta: Utiliza: 4
Diagrama: DG105, Relacionado: 15017
Modelo: 21B
Año:

OEM# T-5524

Buje para Balancín Equalizer Bushing

15017 * B

	Inch	mm
ID	2	50.80
OD	3 5/32	80.17
LG	3 7/8	98.43



Herramienta: Utiliza: 2
 Diagrama: DG131 Relacionado: 13520, 13522, 13522
 Modelo: Año:

OEM# T-3214

Buje para Barra de Torsión Torque Rod Bushing

15019 ✓ A3

	Inch	mm
ID	1	25.40
OD	2 3/8	60.33
LG	2 3/4	69.85
OD<	1 13/16	46.04



Herramienta: Utiliza: 8
 Diagrama: Relacionado: 15020
 Modelo: 101 / 101A / 102 / 102W
 Año:

OEM# T2242

Buje para Barra de Torsión Torque Rod Bushing

15020 ✓ A2

	Inch	mm
ID	1 1/16	26.99
OD	3 5/32	80.17
LG	2 11/16	68.26
OD<	1 13/16	46.04



Herramienta: Utiliza: 8
 Diagrama: Relacionado: 15019
 Modelo: 102 / 102R / 102N / 240AR
 Año:

OEM# 21238-01

Buje para Barra de Torsión Torque Rod Bushing

15051 ✓ A4

	Inch	mm
ID	1 1/32	26.19
OD	2 5/16	58.74
LG	2 15/16	74.61
OD<	1 13/16	46.04



Herramienta: Utiliza: 4
 Diagrama: DG106, Relacionado: 15000, DG113, DG117 15001, 15001, 15013
 Modelo: 102CC Single Axle / Año:
 Model 102 Tractor Four Spring / 26 / 36 / 55 Series Suspensions

OEM# 503017C1, R301982, T-2242

Kit Buje Tri-Funcional Tri-Functional Bushing Kit

15060 ✓ A4

BOLT	Inch	mm
	7/8-14 UNF	

Componentes

- 1 Pz. 13541 Buje Interior para Buje Tri-Funcional / 1 Qty. 13541 Inner Bushing Sleeve
- 2 Pzs. 13542 Arandelas para Buje Tri-Funcional / 2 Qty. 13542 Tri-Functional Washers Bushing
- 1 Pz. 15060 BP Buje Tri-Funcional / 1 Qty. 15060 BP Tri-Functional Bushing
- 1 Pz. HT00050 Tuerca Gripco / 1 Qty. HT00050 Nylon Insert Nut
- 2 Pzs. HT00051 Arandela / 2 Qty. HT00051 Washer
- 1 Pz. HT00049-1 Tornillo / 1 Qty. HT00049-1 Bolt



Herramienta: Utiliza: 4
 Diagrama: DG116 Relacionado: 13541, 13542, 13542
 Modelo: Series 20AR / R53162
 Año:

OEM# 25770-01

Kit Bujes para Barra de Torsión Torque Rod Bushing Kit

15063 * B

BOLT	Inch	mm
	7/8-9 UNC	

Componentes

- 1 Pz. 15013 Buje / 1 Qty. 15013 Bushing
- 1 Pz. Tornillo / 1 Qty. Bolt
- 1 Pz. Tuerca / 1 Qty. Nut



Herramienta: Utiliza: 8
 Diagrama: DG108, Relacionado: 14026, DG109, DG110, DG111, 14031, 14031, 14010
 DG114, DG115, DG118, DG119, DG131
 Modelo: 86AR Año: 2000-2011

OEM# R304834A, TRK1969

Kit Buje para Barra de Torsión Torque Rod Bushing Kit

15064 * B

BOLT	Inch	mm
	1-14 UNF	

Componentes

- 2 Pzs. 15073 Buje para Barra de Torsión / 2 Qty. Torque Rod Bushing
- 1 Pz. HT00029-2 Tornillo / 1 Qty. HT00029-2 Bolt
- 1 Pz. HT00014-1 Tuerca tipo Gripco / 1 Qty. HT00014-1 Nylon Insert Nut
- 2 Pzs. 15064 RM Arandela / 2 Qty. 15064 RM Washer



Herramienta: Utiliza: 8
 Diagrama: Relacionado: 15073
 Modelo: 21B
 Año:

OEM# TK-18997, TRK6008

Buje para Barra de Torsión Torque Rod Bushing

15073 * B

	Inch	mm
ID	1	25.40
OD	2 11/32	59.53
LG	3	76.20
OD<	1 13/16	46.04



Herramienta: Utiliza: 16
 Diagrama: Relacionado: 15005, 15006, 15006
 Modelo: 21B
 Año:

OEM# T-5493

Kit Bujes para Barra de Torsión

Torque Rod Bushing Kit

15075



BOLT 1-8 UNC

Componentes

2 Pzs. 15076 Buje para Balancín / 2 Qty. 15076 Equalizer Bushing
 1 Pz. 15075 PM Perno / 1 Qty. 15075 PM Pin
 2 Pzs. 15075 RM Arandelas / 2 Qty. 15075 RM Washer
 2 Pzs. HT00008-4 Arandela de Presión / 2 Qty. HT00008-4 Spring Washer
 2 Pzs. HT00010-8 Tornillo / 2 Qty. HT00010-8 Bolt



OEM# TK18998, T-5524

Herramienta: Utiliza: 4
 Diagrama: Relacionado: 15076
 Modelo:
 Año:

Buje para Balancín

Equalizer Bushing

15076



	Inch	mm
ID	1 5/8	41.28
OD	3 1/2	88.90
LG	4 13/32	111.92
OD<	2 27/32	72.23



OEM# T-5524

Herramienta: Utiliza: 4
 Diagrama: Relacionado: 15075
 Modelo:
 Año:

Buje para Barra de Torsión

Torque Rod Bushing

18690



	Inch	mm
ID	1 3/16	30.16
OD	2 3/8	60.33
LG	4	101.60



OEM# SP1324X1

Herramienta: Utiliza: 4
 Diagrama: Relacionado: 18701
 Modelo:
 Año:

Buje para Balancín

Equalizer Bushing

18701



	Inch	mm
ID	1 3/16	30.16
OD	2 1/4	57.15
LG	4	101.60



OEM# SP7155X1

Herramienta: Utiliza: 2
 Diagrama: Relacionado: 18690
 Modelo:
 Año:

Kit Bujes para Balancín

Equalizer Bushing kit

40127



	Inch	mm
ID	1 1/2	38.10
OD	2 5/8	66.68
LG	3 15/16	100.01

Componentes

1 Pz. 40127 BP Buje para Balancín / 1 Qty. 40127 BP Equalizer Bushing
 1 Pz. 40127 BU Buje Interior de Buje para Balancín / 1 Qty. 40127 BU Inner Bushing Sleeve
 2 Pzs. 40127 RU Arandelas para Buje para Balancín / 2 Qty. 40127 RU Equalizer Bushing Washers

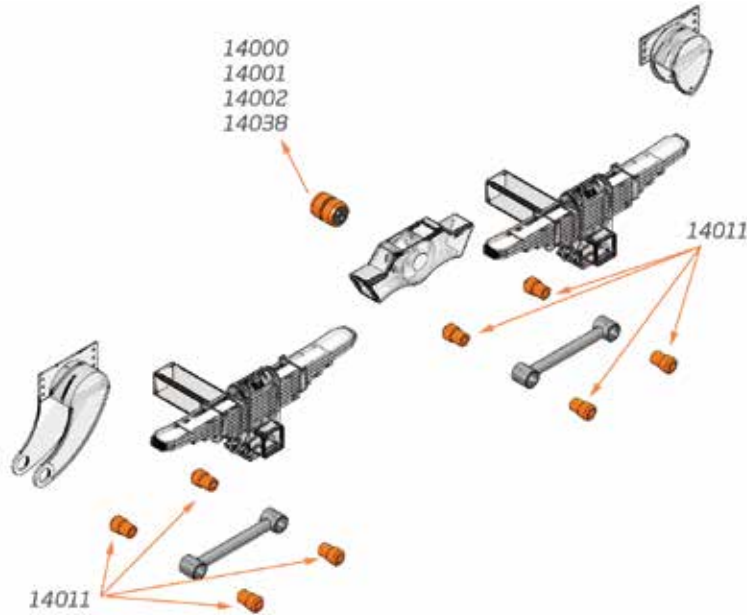


OEM# T5524

Herramienta: Utiliza: 1
 Diagrama: Relacionado:
 Modelo:
 Año:

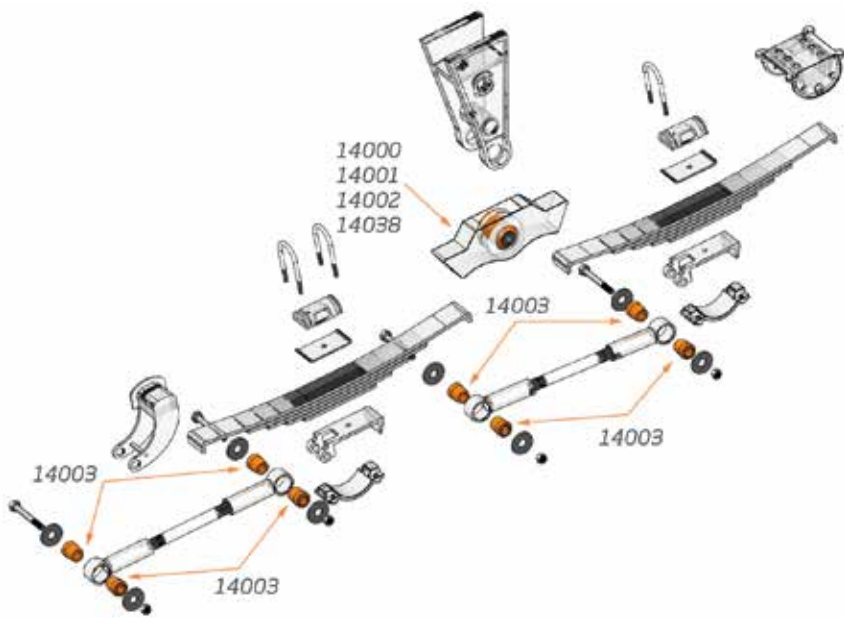
Suspensión

Series H-2200 / H-2300 DG058



Códigos GAFF 14000, 14001, 14002, 14011, 14038

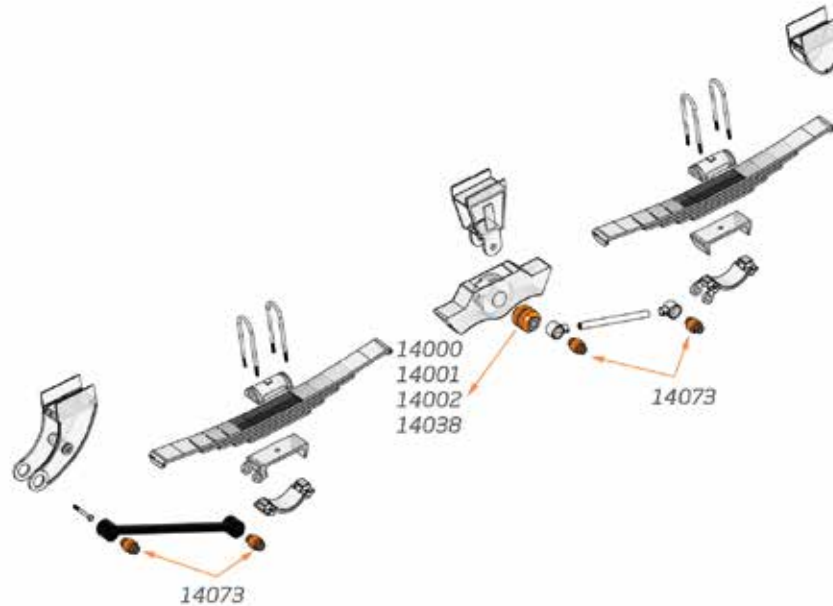
Series H-9600 / CH-9600(cast) / H-7600 / CH-7600(cast) DG059



Códigos GAFF 14000, 14001, 14002, 14003, 14038

Series H-9700/H 9700 TWS / CH 9700(cast)/TWS 54.5/ 61 / 73

DG060

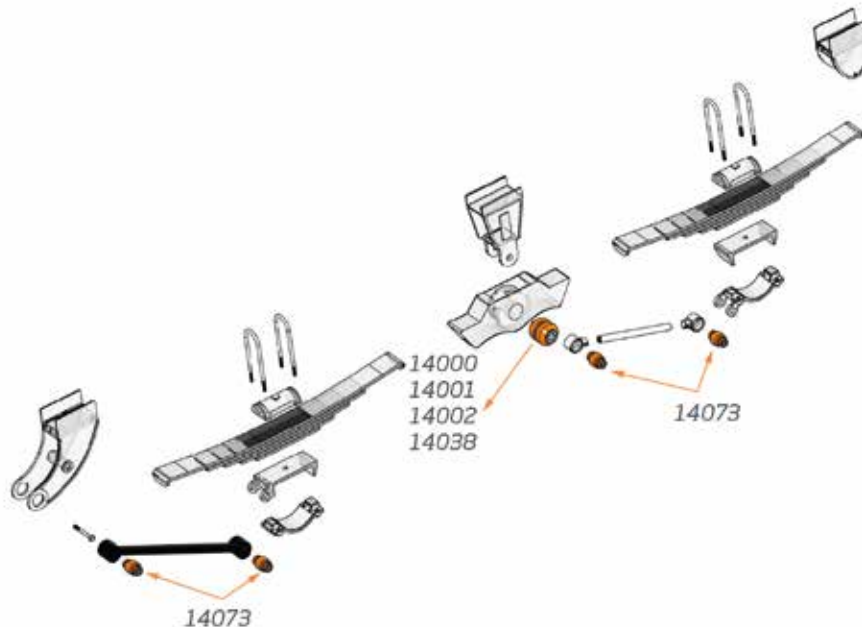


Códigos GAFF

14000, 14001, 14002, 14038, 14073

Serie H-9700 / CH-9700 / H7700 / CH-7700

DG061

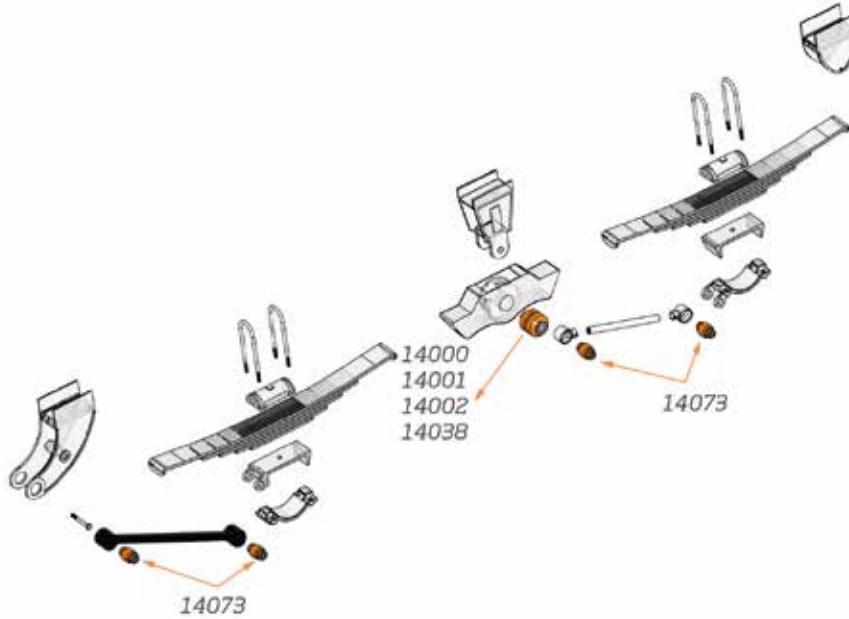


Códigos GAFF

14000, 14001, 14002, 14038, 14073

Serie H-9700 / CH-9700 / CAST TWS 109 / 121

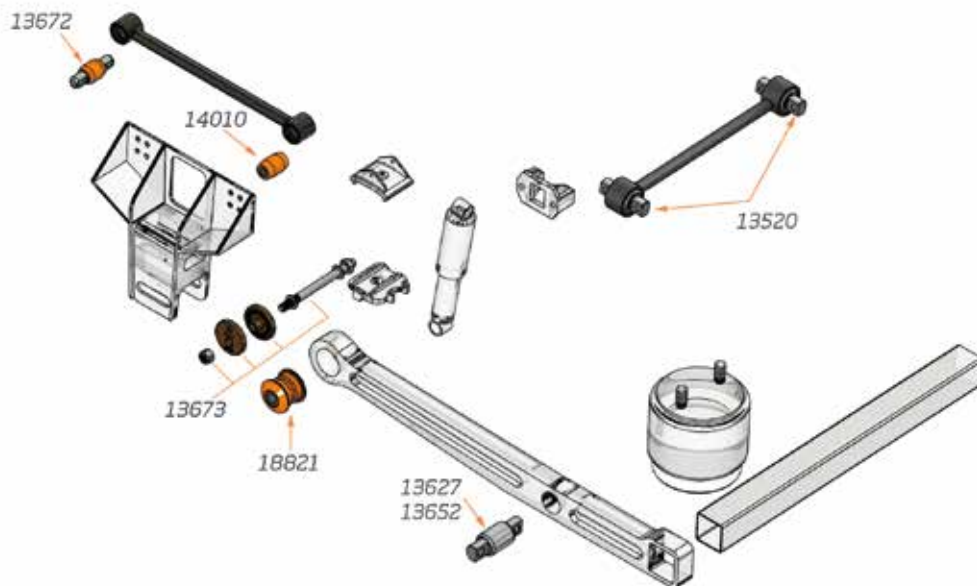
DG064



Códigos GAFF 14000, 14001, 14002, 14038, 14073

Primaax 230/460/ 690 8 1/2" a 10"

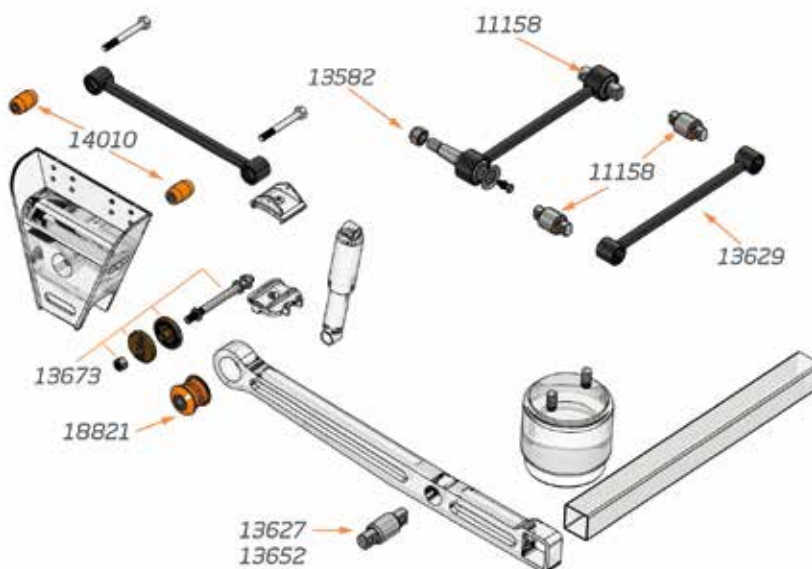
DG068



Códigos GAFF 13520, 13627, 13652, 13672, 13673, 14010, 18821

Pirmaax 230 / 460 / 690 Firemaax 240 / 480 de 12 1/2", 14 3/8 15 1/2"

DG104



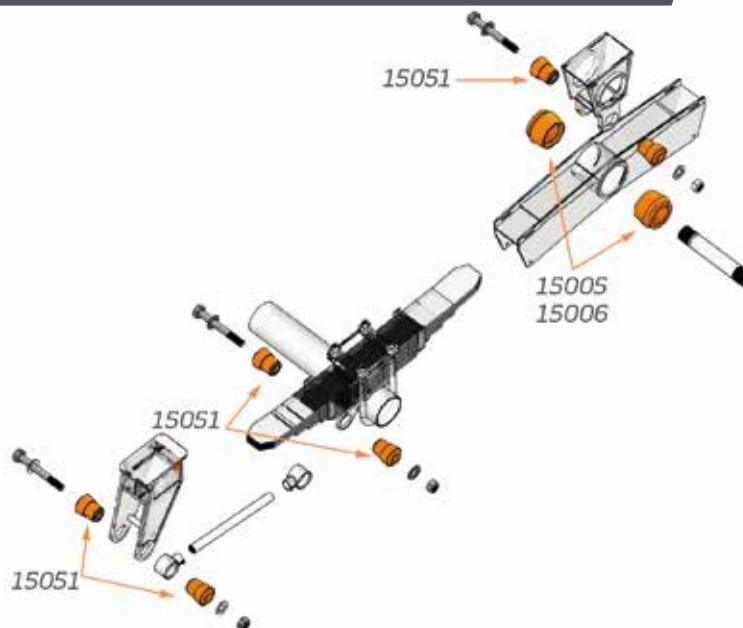
Códigos GAFF

18821

11158, 13582, 13627, 13629, 13652, 13673, 14010,

21B de 60" / 72"

DG106

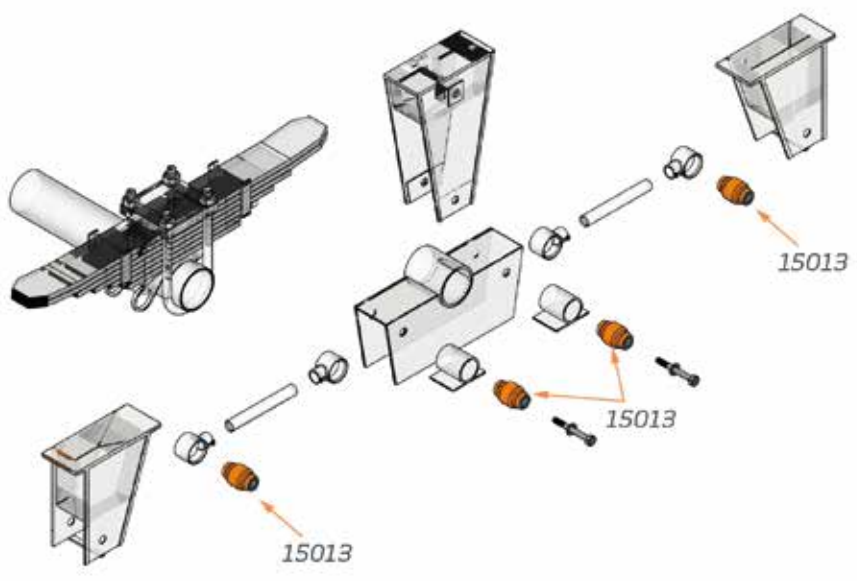


Códigos GAFF

15005, 15006, 15051

Serie 73 de 49"

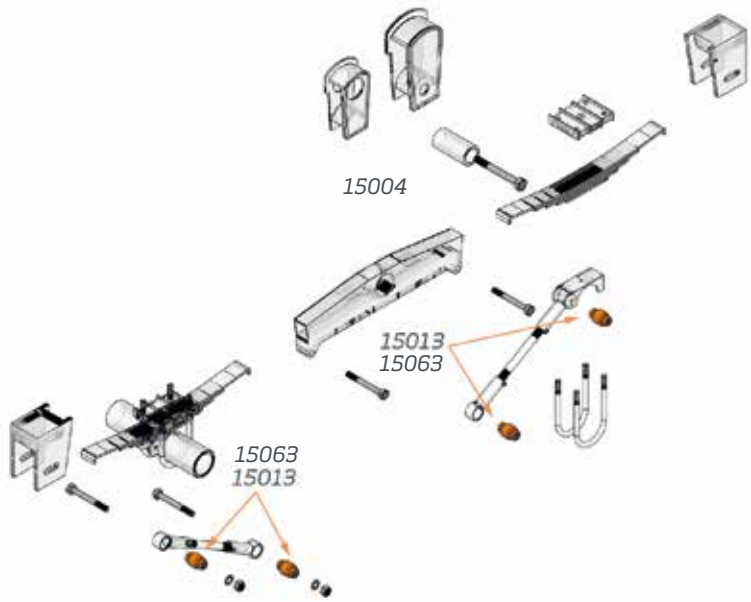
DG107



Códigos GAFF 15013

Serie 73 de 60" / 72"

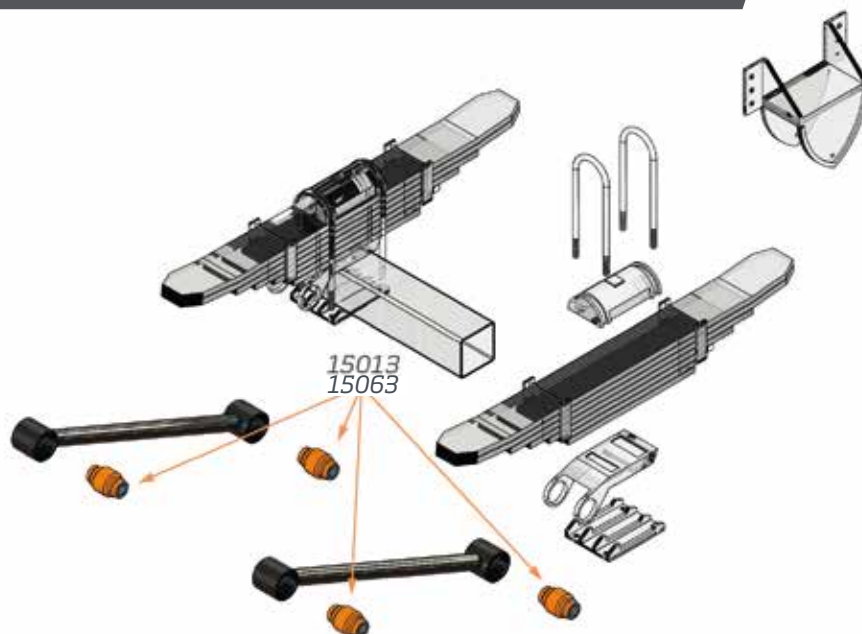
DG108



Códigos GAFF 15004, 15013, 15063

Serie 79KB

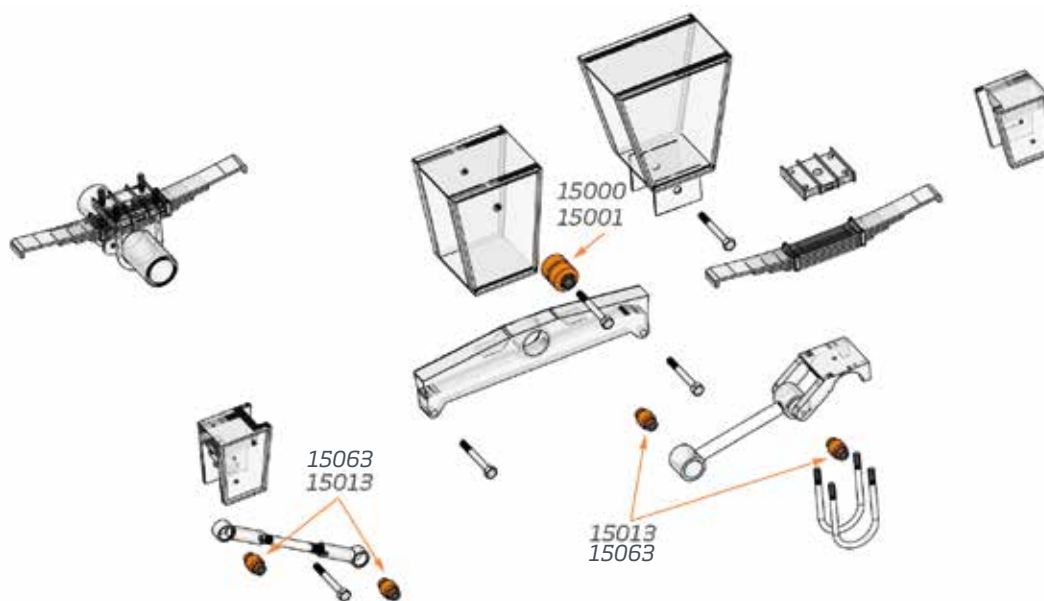
DG109



Códigos GAFF 15013, 15063

Serie 83 de 50" / 54" / 60" / 65 1/2" / 72" / 97" / 109"

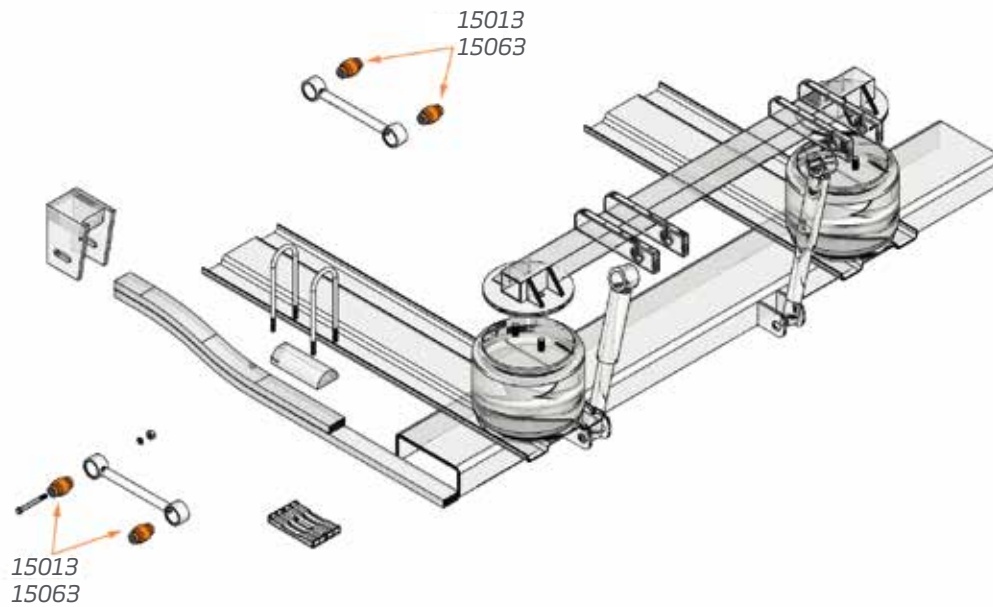
DG110



Códigos GAFF 15000, 15001, 15013, 15063

86AR

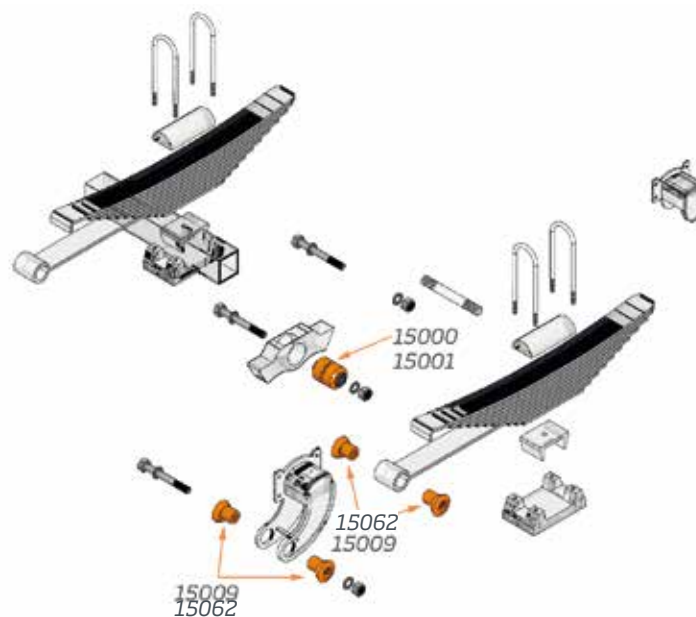
DG111



Códigos GAFF 15013, 15063

101

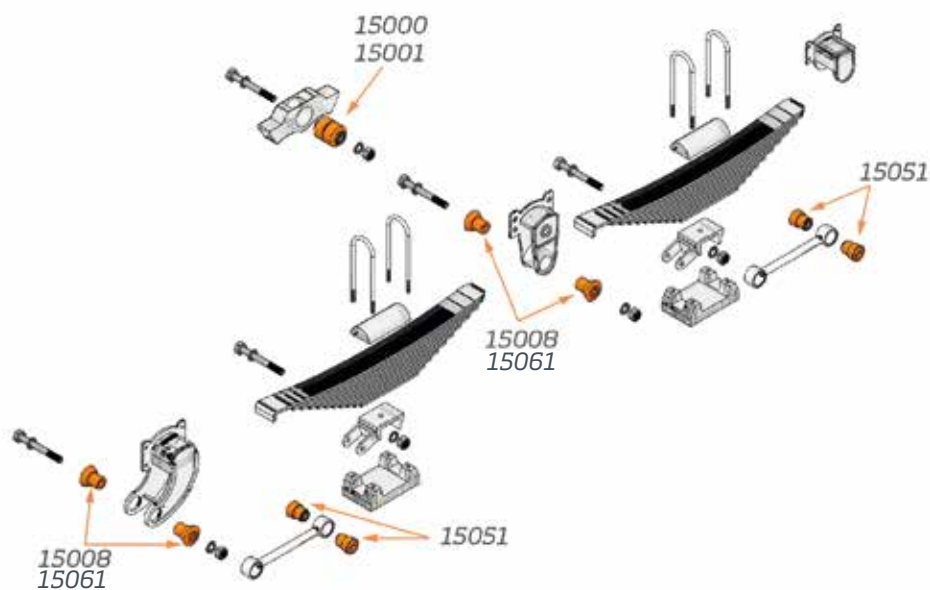
DG112



Códigos GAFF 15000, 15001, 15009, 15062

102A

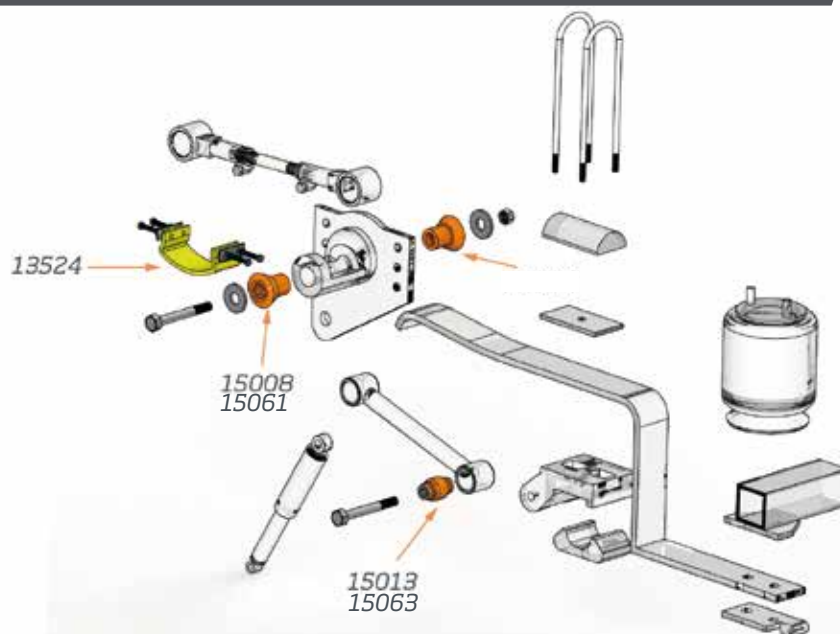
DG113



Códigos GAFF 15000, 15001, 15008, 15051, 15061

102AR

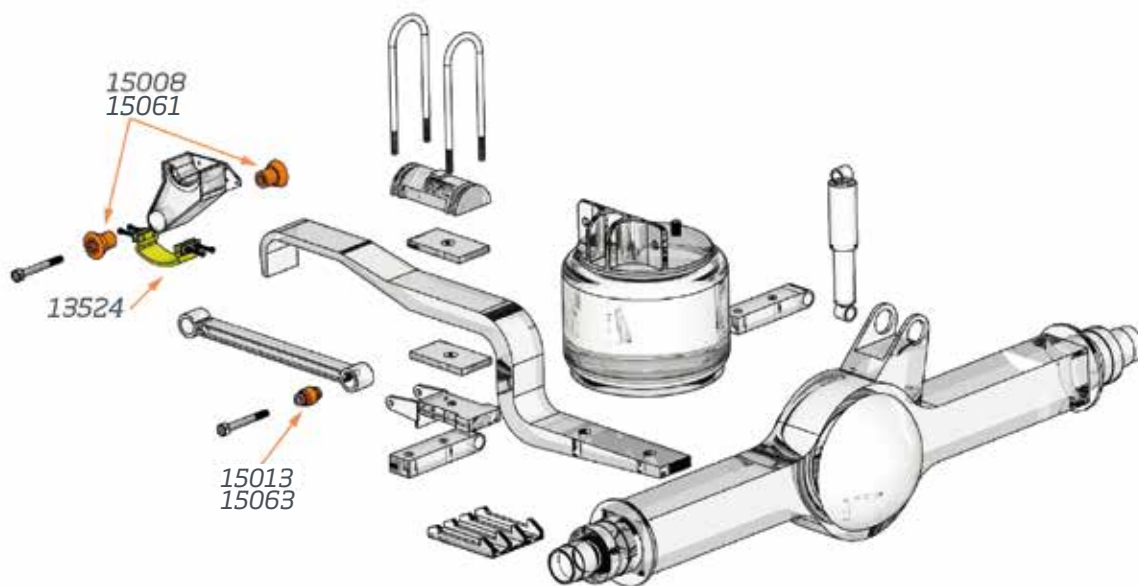
DG114



Códigos GAFF 13524, 15008, 15013, 15061, 15063

240AR

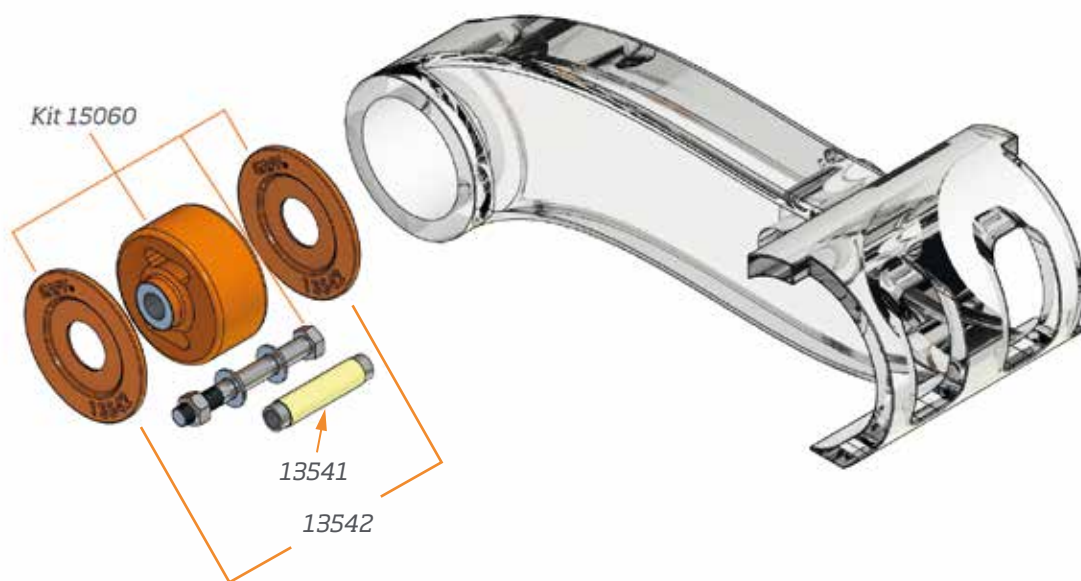
DG115



Códigos GAFF 13524, 15008, 15013, 15061, 15063

19AR / RS1062

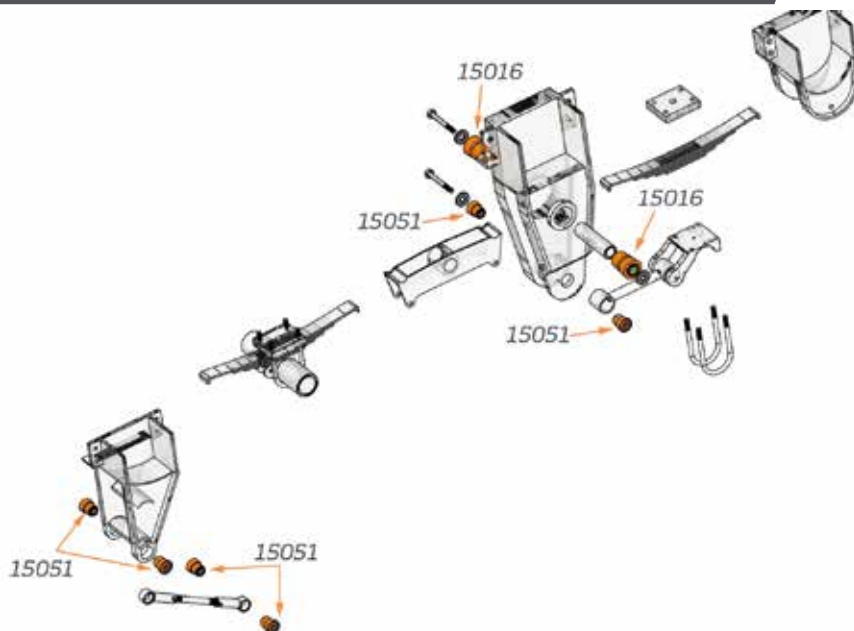
DG116



Códigos GAFF 13541, 13542, 15060

Series 21B

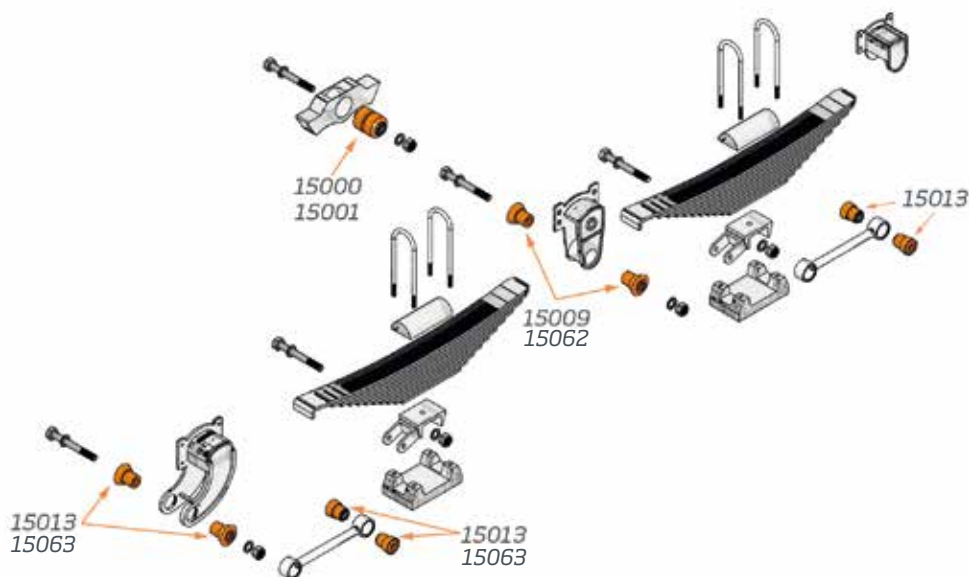
DG117



Códigos GAFF 15016, 15051

Serie 101A

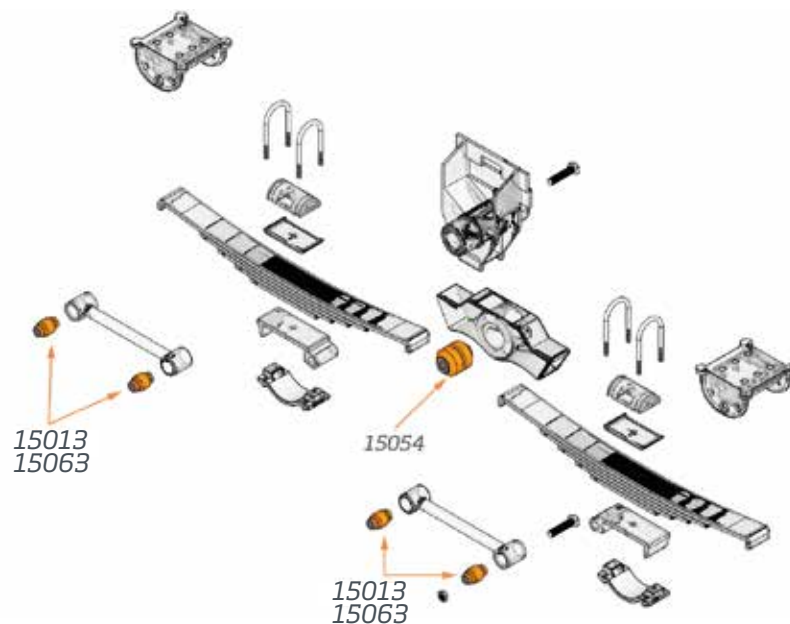
DG118



Códigos GAFF 15000, 15001, 15009, 15013, 15062, 15063

Serie 86 / 88

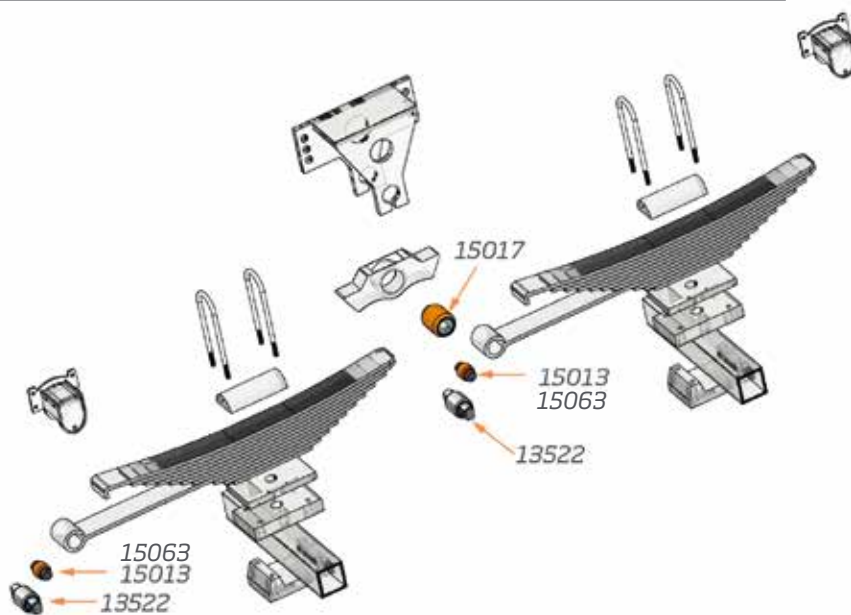
DG119



Códigos GAFF 15013, 15054, 15063

4 Muelles

DG131



Códigos GAFF 13522, 15013, 15017, 15063

Buje Lateral Beam End Bushing

13506



	Inch	mm
ID	2 1/2	63.50
OD	4 3/8	111.13
LG	5 3/4	146.05



OEM# 45900-000

Herramienta: 13588 / 18541 / 18542
Diagrama: DG120
Modelo: Series RS 400/403/460/463/ Series RT 380/440/ Moparalos RD-202C-54-44L-0L
Utiliza: 4
Relacionado: 13505, 13507, 13507, 13553, 13543, 13560, 13566, 13568, 13574, 13587
Año:

Adaptador para Buje Lateral Beam End Adapter

13507



	Inch	mm
OD	3 1/2	88.90
LG	6 1/2	165.10
BOLT	3/4-16 UNF	



OEM# 45000-007, 90001002

Herramienta:
Diagrama: DG049, DG050, DG093, DG120, DG135
Modelo: 340/440 Series RS 400/403/460/463/ Series RT 380/440/ Series ARDST/ARDSTM/LS123-6
Utiliza: 4
Relacionado: 13505, 13506, 13506, 13553, 13543, 13560, 13566, 13568, 13574, 13587
Año:

Saf-Holland

Cojinete para Quinta Rueda Fifth Wheel Bushing Pad

10001



	Inch	mm
LG	10 1/4	260.35
WD	3 19/32	91.28
TK	5/8	15.88



OEM# ASF-0958-07, 4100358

Herramienta:
Diagrama:
Modelo: Simplex
Año:
Utiliza: 2
Relacionado: 10080

Cojinete para Quinta Rueda Fifth Wheel Bushing Pad

10080



	Inch	mm
LG	10	254.00
WD	3 5/8	92.08
TK	11/32	8.73



OEM# ASF-0929-47

Herramienta:
Diagrama: DG123
Modelo:
Año:
Utiliza: 2
Relacionado: 10001

Buje para Quinta Rueda Fifth Wheel Bushing

11515



	Inch	mm
ID	1 3/32	27.78
OD	2 13/16	71.44
LG	4 1/8	104.78



OEM# XA 1604-5, K066-160

Herramienta:
Diagrama: DG056
Modelo:
Año:
Utiliza: 2
Relacionado: 11517, 11724, 11724

Buje para Quinta Rueda Fifth Wheel Bushing

11517



	Inch	mm
ID	1 1/8	28.58
LG	4 1/4	107.95
WD	2 19/32	65.88
H	2 11/32	59.53



OEM# XB-0011-2

Herramienta:
Diagrama: DG055, DG056, DG057
Modelo: Series FR175/ FW3510/ Series FW070/ Series FW3500/ FW3100
Utiliza: 2
Relacionado: 11515, 11724, 11724, 18094, 18215, 40035, 11727, 40140
Año:

Quinta Rueda

Buje para Quinta Rueda

Fifth Wheel Bushing

11724

✓ A3

	Inch	mm
ID	1 1/2	38.10
LG	4 3/16	106.36
WD	2 19/32	65.88
H	2 11/32	59.53



Herramienta: Utiliza: 2
Diagrama: DG055, DG056, DG057
Modelo: Series 7000
Año: 40140
Relacionado: 11515, 11517, 18094, 18215, 40035, 11727, 40140
OEM# XB-0012-3

Buje para Quinta Rueda

Fifth Wheel Bushing

11727

* B

	Inch	mm
ID	1 1/8	28.58
LG	4 1/4	107.95
WD	2 19/32	65.88
H	2 11/32	59.53



Herramienta: Utiliza: 2
Diagrama: DG055, DG056, DG057
Modelo:
Año: 40140
Relacionado: 11515, 11724, 11724, 18221, 18094, 18215, 40035, 40140
OEM# XB-0011-2

Buje para Quinta Rueda

Fifth Wheel Bushing

18094

* B

	Inch	mm
ID	1 1/8	28.58
OD	2 3/32	53.18
LG	4 3/8	111.13



Herramienta: Utiliza: 2
Diagrama: DG056
Modelo:
Año: 40140
Relacionado: 11515, 11724, 11724, 18221, 18215, 40035, 11727, 40140
OEM# XB-0011-1

Buje para Quinta Rueda

Fifth Wheel Bushing

18215

✓ A3

	Inch	mm
ID	1 5/32	29.37
OD	2	50.80
LG	4 1/4	107.95



Herramienta: Utiliza: 2
Diagrama: DG133
Modelo: XB-011
Año: 40140
Relacionado: 11515, 11724, 11724, 18221, 18094, 40035, 11727, 40140
OEM# HLD XB 0011 / XB-0011

Buje para Quinta Rueda

Fifth Wheel Bushing

18221

* B

	Inch	mm
ID	1 1/4	31.75
OD	3 1/2	88.90
LG	3 3/4	95.25



Herramienta: Utiliza: 2
Diagrama: DG133
Modelo:
Año: 40140
Relacionado: 11515, 11724, 11724, 18094, 18215, 40035, 11727, 40140
OEM# XB0009 / XB-0009

Buje para Quinta Rueda

Fifth Wheel Bushing

40035

✓ A2

	Inch	mm
ID	1 1/8	28.58
OD	2 9/16	65.09
LG	2 1/8	53.98
OD<	2 5/16	58.74



Herramienta: Utiliza: 2
Diagrama: DG055
Modelo: Series FR175/ FW3510
Año: 40140
Relacionado: 11515, 11724, 11724, 18221, 18094, 18215, 11727, 40140
OEM# XB-10605 / XB10605, HLD-XB10605, SAFXB10605, HO-HXB10605

Soporte para Torre de Quinta Rueda

Fifth Wheel Tower Mount

40056

✓ A3

	Inch	mm
LG	4 15/16	125.41
WD	3 29/32	99.22
H	3 7/32	81.76



Herramienta: Utiliza: 2
Diagrama: DG009, DG123
Modelo: Simplex Lite
Año:
Relacionado: 10080
OEM# ATP-0328-03 / 4100328

Kit Bujes para Quinta Rueda

Fifth Wheel Bushing Kit

40140

✓ A3

Componentes
 2 Pzs. 11517 Buje para Quinta Rueda / 2 Qty. 11517 Fifth Wheel Bushing
 2 Pzs. 40140 PG Perno / 2 Qty. 40140 PG Pin
 2 Pzs. CH40140 Chavetas / 2 Qty. CH40140 Cotter Pin



Herramienta: Utiliza: 1
Diagrama: DG055, DG056, DG057
Modelo: XL-FW153
Año: 2006-2010
Relacionado: 11515, 11724, 11724, 18221, 18094, 18215, 40035, 11727
OEM# RK069731, XB-0011-2 / XA-2016

Buje para Viga Beam Bushing

14536



	Inch	mm
OD	3 1/8	79.38
HO	1	25.40
LG C-C	6 1/4	158.75



Herramienta: Utiliza: 2
 Diagrama: Relacionado: 14537,
 Modelo: ADZ Series 14538, 14538
 Año:

OEM#90008267

Buje de Pivote Pivot Bushing

50046



	Inch	mm
ID	1 1/8	28.58
OD	4 19/32	116.68
LG	5	127.00



Herramienta: Utiliza: 2
 Diagrama: Relacionado: 50047
 Modelo: CBX23 / CBX25 /
 CB400 / CB2300
 Año:

OEM#90008247

Kit Buje de Pivote Pivot Bushing Kit

50047



BOLT 1 1/8-7 UNC

Componentes

2 Pzs. 50046 Buje de Pivote / 2 Qty. 50046 Pivot Bushing
 4 Pzs. 50047 RM Arandelas / 4 Qty. 50047 RM Washer
 2 Pzs. HT00079 Tuerca tipo gripco / 2 Qty. HT00079 Nylon
 Insert Nut
 2 Pzs. HT00036-1 Tornillo / 2 Qty. HT00036-1 Bolt

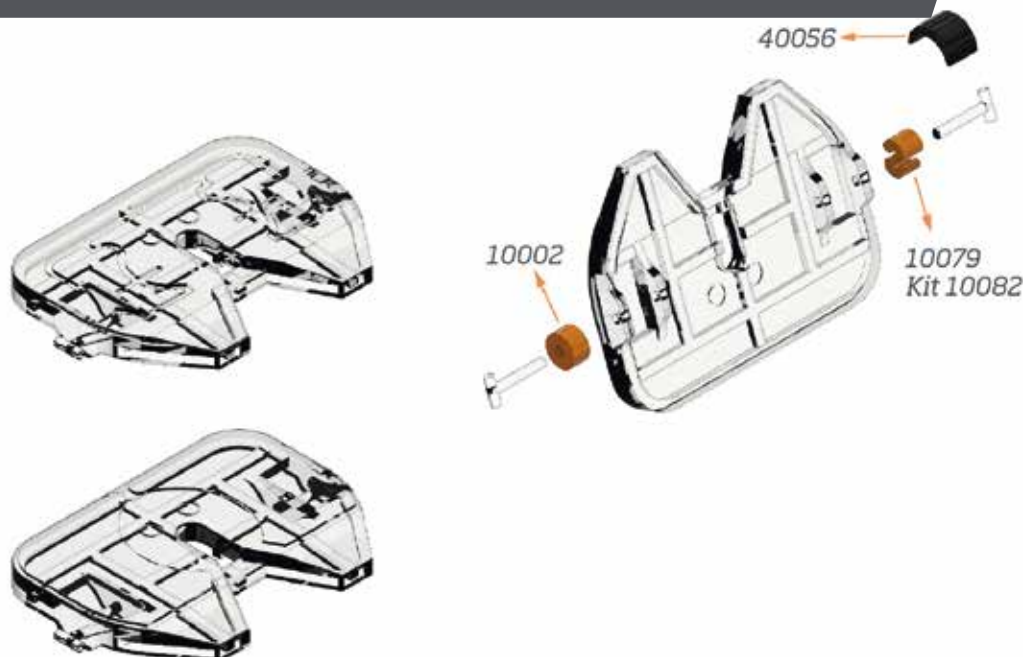


Herramienta: Utiliza: 1
 Diagrama: Relacionado: 50046
 Modelo: CBX23 / CBX25 /
 CB400 / CB2300
 Año:

OEM#48100394

Serie TPL 6000 / 7000 / 7000CC

DG009

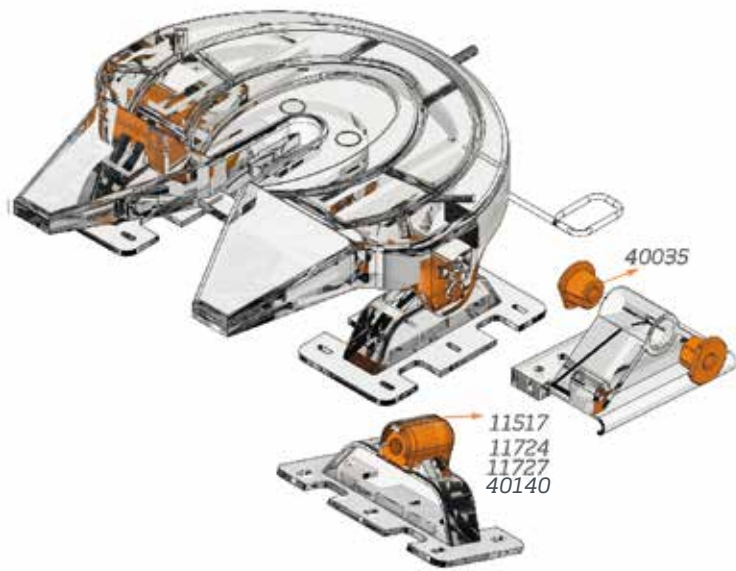


Códigos GAFF

10002, 10079, 10082, 40056

Series FW175k / FW3510

DG055



Códigos GAFF 11517, 11724, 11727, 40035, 40140

Serie FW070

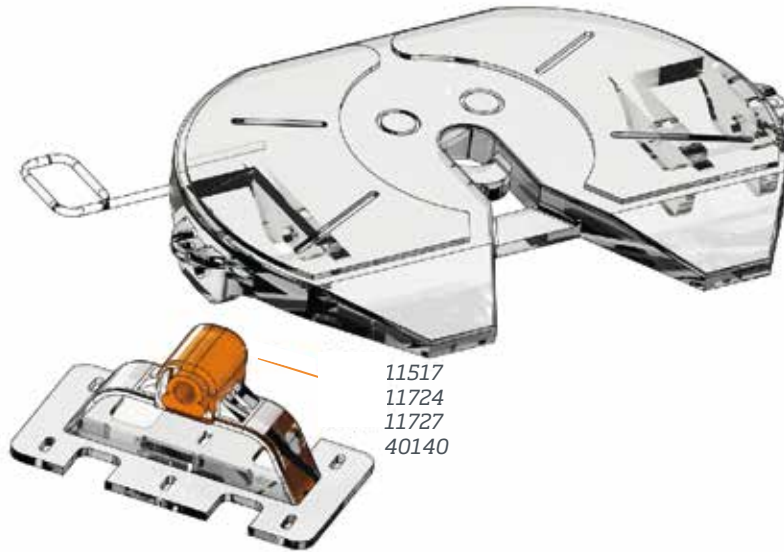
DG056



Códigos GAFF 11515, 11517, 11724, 11727, 18094, 40140

FW3500 / FW3100

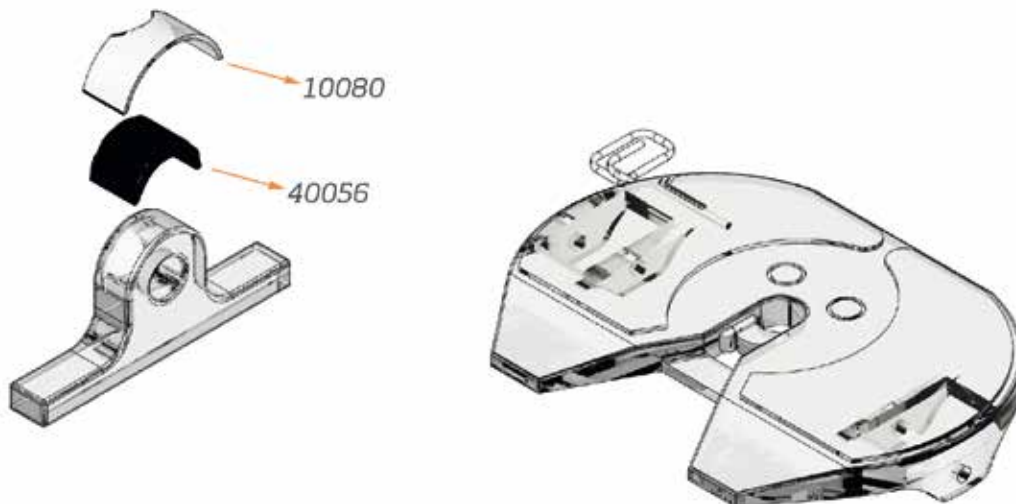
DG057



Códigos GAFF 11517, 11724, 11727, 40140

Simplex Air/Simplex Lite

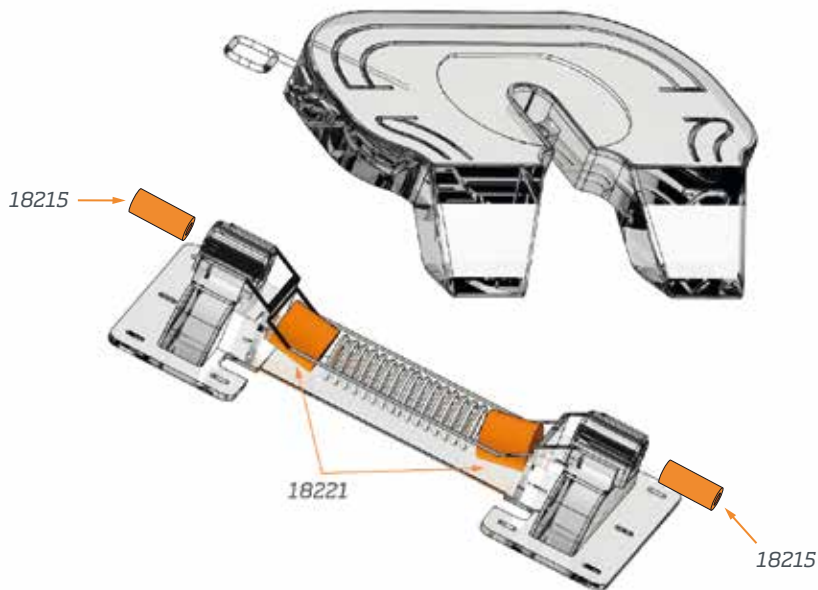
DG123



Códigos GAFF 10080, 40056

Kompensator

DG133



Códigos GAFF 18215, 18221

Buje para Barra Angular V-Stay Bushing

31087



	Inch	mm
OD	2 15/16	74.61
HO	43/64	17.07
LG C-C	5 1/8	130.18



Herramienta: Utiliza: 4
Diagrama: DG132 **Relacionado:** 31092
Modelo: F10, F12, F16, FL7, FL10 / 10H, FL12 / 12H, N10, N12, NL10, NL12

OEM# 274070 / 3093630 / 3093631 / 550806

Buje para Barra de Torsión Torque Rod Bushing

31652



	Inch	mm
OD	2 15/16	74.61
HO	3/4	19.05
LG C-C	4 17/32	115.09



Herramienta: Utiliza: 4
Diagrama: OC500 / 0500 / 32020, 32020
Modelo: Serie 4 / P / G / R / T
Año:

OEM# 6293300007, 1515981 / 2096392

Buje para Barra de Torsión Torque Rod Bushing

31655



	Inch	mm
OD	3 11/32	84.93
HO	3/4	19.05
LG C-C	5 1/8	130.18



Herramienta: Utiliza: 4
Diagrama: Relacionado: 13514, 18962, 18962
Modelo:
Año:

OEM# 0003500506 / 0003200011, 1435944

Buje para Barra Estabilizadora Sway Bar Bushing

32005



	Inch	mm
ID	2	50.80
LG	3 7/8	98.43
H	3 5/32	80.17



Herramienta: Utiliza: 4
Diagrama: Relacionado: 32028, 32037
Modelo:
Año:

OEM# 0 295 751 / 0295751

Buje para Barra de Torsión Torque Rod Bushing

32007



	Inch	mm
OD	3 5/16	84.14
HO	3/4	19.05
LG C-C	5 1/8	130.18



Herramienta: Utiliza: 4
Diagrama: Relacionado: 31000
Modelo: Irizar PB / BUS SERIE 3: K93 / 113, L113, BUS SERIE 4: 4X2 EB / 1B / UB, 6X2 EB / 1B / UB, 6X2 / 2 UA, 6X2*4 EB / 1B / UB, 6X2 IB / LION'S CLASSIC / F 90 / F 2000

OEM# 1104335 / 638862 / 639287 / 1953248, 273373 / 274019

Buje para Barra Angular V-Stay Bushing

32020



	Inch	mm
OD	3 23/32	94.46
THR	M22 X 1.5	



Componentes
1 Pz. 32020 (P) Buje / 1 Qty. 32020 (P) Bushing
1 Pz. Seguro Truack / 1 Qty. Truack Seeger

Herramienta: Utiliza: 2
Diagrama: Relacionado: 31652, 32007, 32007
Modelo:
Año:

OEM# 0 638 938

Buje para Barra Estabilizadora Sway Bar Bushing

32028



	Inch	mm
ID	1 31/32	50.01
LG	4	101.60
H	3 1/32	76.99



Herramienta: Utiliza: 2
Diagrama: Relacionado: 32005, 32037, 32047
Modelo: B12R
Año:

OEM# 0 228 483 / 1880751

Buje para Barra de Torsión Torque Rod Bushing

32031



	Inch	mm
OD	2 15/16	74.61
HO	2 1/32	16.67
LG C-C	4 17/32	115.09



Herramienta: Utiliza: 4
Diagrama: DG132 **Relacionado:** 32058
Modelo:
Año:

OEM# 550806 / 1112506

Buje para Barra Estabilizadora 32033

Sway Bar Bushing * B

	Inch	mm
ID	13/16	20.64
OD	2 9/32	57.94
LG	1 3/16	30.16
OD<	1 1/2	38.10



Herramienta: Utiliza: 2
 Diagrama: Relacionado: 32005, 32037, 32047
 Modelo:
 Año:

OEM#1429110 / 1477867

Buje para Barra Estabilizadora 32037

Sway Bar Bushing ✓ A4

	Inch	mm
ID	1 3/4	44.45
LG	4	101.60
H	2 15/16	74.61



Herramienta: Utiliza: 4
 Diagrama: Relacionado: 32005, 32047, 32053
 Modelo:
 Año:

OEM# 469081

Buje para Muelle 32044

Spring Bushing * B

	Inch	mm
ID	1 3/16	30.16
OD	2 11/16	68.26
LG	4 3/32	103.98



Herramienta: Utiliza: 2
 Diagrama: Relacionado:
 Modelo: G93/P93/R93/
 P113/R113/R143
 Año:

OEM#362385

Buje para Barra Estabilizadora 32047

Sway Bar Bushing * B

	Inch	mm
ID	2 15/32	62.71
LG	4 1/8	104.78
WD	3 11/32	84.93
H	3 3/8	85.73



Herramienta: Utiliza: 2
 Diagrama: Relacionado: 32005
 Modelo:
 Año:

OEM#1344190 / 1535026

Buje para Barra Estabilizadora 32053

Sway Bar Bushing * B

	Inch	mm
ID	2	50.80
LG	4	101.60



Herramienta: Utiliza: 4
 Diagrama: Relacionado: 32005
 Modelo:
 Año:

OEM#228483

Buje para Barra Angular 32058

V-Stay Bushing * B

	Inch	mm
ID	1 5/8	41.28
OD	3 3/4	95.25
LG	2 7/8	73.03
THR	M24X1.5	



Componentes
 1 Pz. 32058 (P) Buje / 1 Qty. 32058 (P) Bushing
 1 Pz. Seguro Truack / 1 Qty. Truack Seeger
 1 Pz. Inserto Metálico / 1 Qty. Metallic Insert

Herramienta: Utiliza: 2
 Diagrama: Relacionado: 32007, 32020, 32020
 Modelo:
 Año:

OEM#208005809 / 638870

Buje para Barra Estabilizadora 32066

Sway Bar Bushing * B

	Inch	mm
ID	5/8	15.88
OD	1 7/8	47.63
LG	31/32	24.61



Herramienta: Utiliza: 4
 Diagrama: Relacionado:
 Modelo: F / K / N Series/
 4 Series
 Año: 2004-Actual

OEM#300482-01 / 1516496, 2196775

Buje para Barra Estabilizadora 32079

Sway Bar Bushing * B

	Inch	mm
ID	2 5/16	58.74
LG	4 3/32	103.98
H	3 3/16	80.96



Herramienta: Utiliza: 4
 Diagrama: Relacionado: 32005
 Modelo: 114I / 124E / 124I / 94I / 94H / 94U / Dianteira/Front / K112 / K113 / K124 / Onibus
 Año:

OEM#1798776

Buje para Barra Angular V-Stay Bushing

32083
 A2

	Inch	mm
OD	2 15/16	74.61
HO	2 1/32	16.66
LG C-C	4 17/32	115.09



Herramienta: Utiliza: 4
Diagrama: Relacionado:
Modelo: F10 / F12 / FH12 / FH16 / FL6 / 180 / 205G / 220 / 250
Año:

OEM# 271187

Buje para Barra de Torsión Torque Rod Bushing

32086
 B

	Inch	mm
OD	2 5/32	54.77
HO	19/32	15.08
LG C-C	3 9/16	90.49



Herramienta: Utiliza: 4
Diagrama: Relacionado:
Modelo: Irizar I5, I6 y PB
Año:

OEM#

Buje para Barra Estabilizadora Sway Bar Bushing

32087
 A2

	Inch	mm
ID	2 3/8	60.33
OD	3	76.20
LG	2 11/16	68.26



Herramienta: Utiliza: 2
Diagrama: Relacionado: 31675, 31624, 31624
Modelo: I5 / I6 / I8
Año: 2015

OEM# 613-4801, 2296839

Buje para Muelle Spring Bushing

32502
 A5

	Inch	mm
ID	1 3/16	30.16
OD	2 9/16	65.09
LG	4	101.60



Herramienta: Utiliza: 4
Diagrama: Relacionado:
Modelo: Irizar I5, I6 y PB
Año:

OEM#

Soporte para Eje Cardán Carrier Bearing

11772
 A2

	Inch	mm
ID	4 7/32	107.16
LG	7 5/8	193.68
H	7 13/32	188.12
TK	2	50.80



Herramienta: Utiliza: 1
Diagrama: Relacionado: 40197
Modelo:
Año:

OEM# 5003325

Soporte para Eje Cardán Carrier Bearing

18000
 B

	Inch	mm
ID	3 5/32	80.17
LG	5 3/16	131.76
H	5	127.00
TK	2 5/32	54.77



Herramienta: Utiliza: 1
Diagrama: Relacionado: 18776
Modelo:
Año:

OEM# 230126-1

Soporte para Eje Cardán Carrier Bearing

18002



A2

	Inch	mm
ID	3 11/16	93.66
LG	7	177.80
H	6 19/32	167.48
TK	2 7/16	61.91



Herramienta: Utiliza: 1
Diagrama: Relacionado: 40074
Modelo:
Año:

OEM# 210661-1X

Soporte para Eje Cardán Carrier Bearing

18725



A3

	Inch	mm
ID	3 1/16	77.79
LG	5 19/32	142.08
H	5 1/2	139.70
TK	2	50.80



Herramienta: Utiliza: 1
Diagrama: Relacionado: 40075
Modelo:
Año:

OEM# 210121-1X

Soporte para Eje Cardán Carrier Bearing

18726



A4

	Inch	mm
ID	3	76.20
LG	5 3/4	146.05
H	5 1/2	139.70
TK	2 5/32	54.77



Herramienta: Utiliza: 1
Diagrama: Relacionado: 18002, 18725, 18726
Modelo:
Año:

OEM#

Kit Soporte para Eje Cardán Carrier Bearing Kit

40074



A2

	Inch	mm
ID	2 3/8	60.33
H	3 3/8	85.73
HO	9/16	14.29
LG C-C	8 5/8	219.08



Componentes
1 Pz. 18002 Soporte para eje Cardán / 1 Qty. 18002 Carrier Bearing
1 Pz. MP40074-2 Rodamiento (88512) / 1 Qty. MP40074-2 Bearing (88512)
1 Pz. MP40074-3 Armazón Metálico / 1 Qty. MP40074-3 Metallic Framework
1 Pz. MP40074-4 Base Metálica / 1 Qty. MP40074-4 Metallic Base
2 Pzs. MP40074-5 Tapa para Rodamiento / 2 Qty. MP40074-5 Cover Bearing

Herramienta: Utiliza: 1
Diagrama: Relacionado: 18002
Modelo:
Año:

OEM# 210661-1X

Kit Soporte para Eje Cardán Carrier Bearing Kit

40075



A3

	Inch	mm
ID	2	50.80
H	2 13/16	71.44
HO	17/32	13.49
LG C-C	7 5/8	193.68



Componentes
1 Pz. 18725 Soporte para eje Cardán / 1 Qty. 18725 Carrier Bearing
1 Pz. MP40075-1 Rodamiento (88510) / 1 Qty. MP40075-1 Bearing (88510)
1 Pz. MP40075-6 Armazón Metálico / 1 Qty. MP40075-6 Metallic Framework
1 Pz. MP40075-9 Base Metálica / 1 Qty. MP40075-9 Metallic Base
2 Pzs. MP40075-7 Tapa para Rodamiento / 2 Qty. MP40075-7 Cover Bearing

Herramienta: Utiliza: 1
Diagrama: Relacionado: 18725
Modelo:
Año:

OEM# 210121-1X

Kit Soporte para Eje Cardán Carrier Bearing Kit

40139



B

	Inch	mm
ID	1 25/32	45.24
H	2 3/4	69.85
HO	17/32	13.49
LG C-C	7 5/8	193.68



Componentes
1 Pz. 40209 Soporte para eje Cardán / 1 Qty. 40209 Carrier Bearing
1 Pz. MP40139-1 Rodamiento (88509) / 1 Qty. MP40139-1 Bearing (88509)
1 Pz. MP40139-2 Armazón Metálico / 1 Qty. MP40139-2 Metallic Framework
1 Pz. MP40075-9 Base Metálica / 1 Qty. MP40075-9 Metallic Base
2 Pzs. MP40139-5 Tapa para Rodamiento / 2 Qty. MP40139-5 Cover Bearing

Herramienta: Utiliza: 1
Diagrama: Relacionado: 40209
Modelo: 14-190
Año: 1998 - 2003

OEM# 2101301X / 210969-1X / 230958-1

Kit Soporte para Eje Cardán Carrier Bearing Kit

40197



A2

	Inch	mm
ID	2 23/64	59.93
H	3 7/16	87.31
HO	9/16	14.29
LG C-C	8 5/8	219.08



Componentes
1 Pz. 11772 Soporte para eje Cardán / 1 Qty. 11772 Carrier Bearing
1 Pz. MP40197-1 Rodamiento (88512-HD) / 1 Qty. MP40197-1 Bearing (88512-HD)
1 Pz. MP40197-2 Armazón Metálico / 1 Qty. MP40197-2 Metallic Framework

Herramienta: Utiliza: 1
Diagrama: Relacionado: 11772
Modelo:
Año:

OEM# 5003323, 2106611X

Soporte para Eje Cardán Carrier Bearing

40209



B

	Inch	mm
ID	3	76.20
LG	5 9/16	141.29
H	5 5/16	134.94
TK	2	50.80



Herramienta: Utiliza: 1
Diagrama: Relacionado: 40139
Modelo:
Año:

OEM#

Soporte para Equipo Thermo King Thermo King Equipment Mount

12380



	Inch	mm
ID	5/8	15.88
OD	2 11/32	59.53
LG	1 13/32	35.72
OD<	1 13/16	46.04



Herramienta: Utiliza: 6
 Diagrama: Relacionado: 50055, 50056, 50054, 50053
 Modelo: Serie XL / Whisper Pro / SPECTRUM
 Año:

OEM# 37-91-4159 / 91-2618 / 914159, TK91-4139

Soporte para Equipo Thermo King Thermo King Equipment Mount

18013



	Inch	mm
ID	15/16	23.81
OD	3	76.20
LG	1 5/16	33.34
OD<	1 13/16	46.04



Herramienta: Utiliza: 6
 Diagrama: Relacionado:
 Modelo:
 Año: OEM#

Soporte para Motor Motor Mount

18015



	Inch	mm
ID	17/32	13.49
OD	1 7/8	47.63



Herramienta: Utiliza: 2
 Diagrama: Relacionado: 12380, 50056, 50054, 50053
 Modelo:
 Año:

OEM# TK-928893

Soporte para Motor Motor Mount

50053



	Inch	mm
ID	15/16	23.81
OD	3	76.20
LG	1 5/16	33.34
OD<	1 13/16	46.04



Herramienta: Utiliza: 2
 Diagrama: Relacionado: 12380, 50056, 50054, 50055
 Modelo: SB / SB-I / SB-II / SB-III
 Año:

OEM# 99-1433 / 10-99-1433

Soporte para Motor Motor Mount

50054



	Inch	mm
ID	5/8	15.88
OD	2 17/32	64.29



Herramienta: Utiliza: 2
 Diagrama: Relacionado: 12380, 50056, 50054, 50053
 Modelo: AMD M18 M2 / MD 200 / 200MT / 300 SL TCI / 100 / 200 / SPECTRUM
 Año:

OEM# P-73-00160-02 / TB-37-99-4820 / 994820 / 994-820

Soporte para Motor Motor Mount

50055



	Inch	mm
ID	15/16	23.81
OD	2 19/32	65.88
LG	1 3/32	27.78
OD<	1 13/16	46.04



Herramienta: Utiliza: 2
 Diagrama: Relacionado: 12380, 50056, 50054, 50053
 Modelo: RMN11SR / SB-100 30 / 300 30 / 310 30 / SPECTRUM / SENTRY / SUPER
 Año:

OEM# 91-4043

Soporte para Motor Motor Mount

50056



	Inch	mm
ID	5/8	15.88
OD	2 5/32	54.77



Componentes

- 1 Pz. Soporte Superior para Motor / 1 Qty. Upper Motor Mount
- 1 Pz. Soporte Inferior para Motor / 1 Qty. Lower Motor Mount
- 1 Pz. Espaciador / 1 Qty. Spacer Sleeve

Herramienta: Utiliza: 2
 Diagrama: Relacionado: 12380, 50055, 50054, 50053
 Modelo: Super-II-MAX
 Año:

OEM# 91-7709 / 10-91-7709

Cabina

Motor

Soporte para Motor

40137

Motor Mount



	Inch	mm
ID	3/4	19.05
OD	2 17/32	64.29
LG	2 9/16	65.09



Herramienta: Utiliza: 2
 Diagrama: Relacionado: 10075
 Modelo:
 Año: 2012

OEM# 1237162060

Motor

Trailmobile

Buje para Barra de Torsión

14003

Torque Rod Bushing



	Inch	mm
ID	1 1/4	31.75
OD	2 3/16	55.56
LG	2 3/8	60.33
OD<	1 3/4	44.45



Herramienta: Utiliza: 2
 Diagrama: DG059, DG124
 Modelo:
 Año:

OEM# 7620-00, 3-12-39

Buje para Barra de Torsión

14004

Torque Rod Bushing



	Inch	mm
ID	1 5/16	33.34
OD	2 5/16	58.74
LG	2 3/16	55.56
OD<	1 29/32	48.42



Herramienta: Utiliza: 10
 Diagrama: Relacionado: 14008
 Modelo:
 Año:

OEM# 31216, 3878B, R30640

Suspensión

Buje para Balancín Equalizer Bushing

11558



	Inch	mm
ID	1 1/2	38.10
OD	2 1/2	63.50
LG	4 1/2	114.30



Herramienta: Utiliza: 4
Diagrama: Relacionado: 13004
Modelo:
Año:

OEM#

Buje para Muñón Trunnion Bushing

14071



	Inch	mm
ID	1 1/2	38.10
OD	2 9/16	65.09
LG	4 3/32	103.98



Herramienta: Utiliza: 2
Diagrama: Relacionado:
Modelo:
Año:

OEM#

Suspensión

Volkswagen Bus

Soporte para Eje Cardán Carrier Bearing

18000



	Inch	mm
ID	3 5/32	80.17
LG	5 3/16	131.76
H	5	127.00
TK	2 5/32	54.77



Herramienta: Utiliza: 1
Diagrama: Relacionado: 18776
Modelo:
Año:

OEM# 230126-1

Soporte para Escape Exhaust Mount

31006



	Inch	mm
OD	2 3/4	69.85
LG	2 15/16	74.61
THD	M10 X 1.5	



Herramienta: Utiliza: 4
Diagrama: Relacionado: 31008,
31031, 31031
Modelo:
Año:

OEM# 360.504.0012

Cardán

Escape

Buje para Barra Estabilizadora sway Bar Bushing

18776



	Inch	mm
ID	9/16	14.29
OD	1 19/32	40.48
LG	2 1/32	51.59



Herramienta: Utiliza: 8
Diagrama: Relacionado: 18000
Modelo:
Año:

OEM#

Buje para Barra Estabilizadora Sway Bar Bushing

31053



	Inch	mm
ID	5/8	15.88
OD	1 1/2	38.10
LG	1 7/8	47.63



Herramienta: Utiliza: 4
Diagrama: Relacionado: 31512
Modelo:
Año:

OEM# 1134955

Suspensión

Buje para Muelle

Spring Bushing

40288



	Inch	mm
ID	1 3/16	30.16
OD	2 1/4	57.15
LG	3 1/2	88.90



Herramienta: Utiliza: 4
 Diagrama: Relacionado: 32056
 Modelo: 8.100 / 8.120 / 8.140 / 8.150 / 13.130 / 13.180
 Año:

OEM# TAP.511.181

Suspensión

Volvo Bus

Soporte para Compresor

Compressor Mount

31031



	Inch	mm
ID	9/16	14.29
OD	1 1/4	31.75
LG	1 13/16	46.04



Herramienta: Utiliza: 2
 Diagrama: Relacionado: 31006, 31008, 31008
 Modelo:
 Año:

OEM#

Soporte para Escape

Exhaust Mount

31008



	Inch	mm
OD	1 31/32	50.01
LG	1	25.40
THD	7/16-14 UNC	



Herramienta: Utiliza: 4
 Diagrama: Relacionado: 31006, 31031, 31031
 Modelo:
 Año:

OEM# 6850149-3

Soporte para Escape

Exhaust Mount

31524



	Inch	mm
OD	2 5/32	54.77
LG	3 1/8	79.38
THD	M10 X 1.5	



Herramienta: Utiliza: 4
 Diagrama: Relacionado: 31006, 31008, 31008
 Modelo:
 Año:

OEM# 06CC8650B, 001 987 52 40

Soporte Delantero para Motor

Motor Mount, Front

18067



	Inch	mm
LG	7	177.80
WD	3	76.20
H	2	50.80
HO	9/16	14.29
THR	M16X2	



Herramienta: Utiliza: 2
 Diagrama: Relacionado:
 Modelo:
 Año:

OEM# 17, 1609, 2

Compresor

Escape

Motor

Soporte Trasero para Motor Motor Mount, Rear

30516



A5

	Inch	mm
ID	1	25.40
OD	5 19/32	142.08
LG	6 25/32	172.24
WD	5 29/32	150.02
H	4 3/32	103.98
HO	7/16	11.11
LG C-C	5 21/32	143.67



Herramienta: Utiliza: 2
Diagrama: Relacionado: 30517, 30518, 30518
Modelo: Serie 60
Año:

OEM#17, 1550, 10-00524-XX

Soporte Delantero para Motor Motor Mount, Front

30517



A3

	Inch	mm
ID	1 13/32	35.72
OD	3 7/8	98.43
LG	6 1/4	158.75
H	1 3/4	44.45
HO	19/32	15.08
LG C-C	5 1/8	130.18
OD<	3 9/16	90.49



Herramienta: Utiliza: 2
Diagrama: Relacionado: 30516, 30518, 30518
Modelo: Serie 60
Año:

OEM#17-1780

Buje para Barra Estabilizadora Sway Bar Bushing

12316



A5

	Inch	mm
OD	2 9/32	57.94
HO	37/64	14.68
LG C-C	3 13/16	96.84



Herramienta: Utiliza: 2
Diagrama: Relacionado:
Modelo: B7 / B12
Año:

OEM#1620750, 8152450

Buje para Barra Estabilizadora Sway Bar Bushing

12320



B

	Inch	mm
ID	1 29/32	48.42
LG	3 3/4	95.25
WD	6 35/37	176.43



Herramienta: Utiliza: 2
Diagrama: Relacionado: 12336
Modelo:
Año:

OEM#3028448, 9516523, 9959304

Buje para Barra Estabilizadora Sway Bar Bushing

12336



B

	Inch	mm
ID	1 7/8	47.63
LG	3 3/32	78.58
WD	8 27/32	224.63



Herramienta: Utiliza: 2
Diagrama: Relacionado: 12320
Modelo:
Año:

OEM#70371206, 20493701

Buje para Barra Estabilizadora Sway Bar Bushing

12338



B

	Inch	mm
ID	25/32	19.84
OD	2 1/32	51.59
LG	4 3/8	111.13



Herramienta: Utiliza: 2
Diagrama: Relacionado: 12348
Modelo:
Año:

OEM#20533294, 200218820

Buje para Barra de Torsión Torque Rod Bushing

12345



B

	Inch	mm
OD	3 5/8	92.08
HO	21/32	16.67
LG C-C	5 1/8	130.18



Herramienta: Utiliza: 12
Diagrama: Relacionado: 31000
Modelo: 9800
Año:

OEM#1135080

Soporte para Motor Motor Mount

30518



A3

	Inch	mm
ID	1 1/16	17.46
OD	2 13/32	61.12
LG	2 1/32	16.67



Herramienta: Utiliza: 2
Diagrama: Relacionado: 30516, 30517, 30517
Modelo: Serie 60
Año:

OEM#

Motor

Suspensión

Suspensión

Buje para Barra de Torsión

Torque Rod Bushing

31000 **A4**

	Inch	mm
OD	3 19/32	91.28
HO	9/16	14.29
LGC-C	4 15/16	125.41



Herramienta: 18835 Utiliza: 6
 Diagrama: Relacionado: 32007, 32008, 31016
 Modelo: F10/F12/F16/FL6/FL7
 Año:

OEM# 1598 588

Buje para Barra Estabilizadora

Sway Bar Bushing

31001 **A3**

	Inch	mm
ID	9/16	14.29
OD	2 1/8	53.98
LG	1 21/32	42.07
OD<	2	50.80



Herramienta: Utiliza: 2
 Diagrama: Relacionado: 12320, 12320, 12320
 Modelo:
 Año:

OEM# H6012485

Buje para Amortiguador

Shock Absorber Bushing

31002 **B**

	Inch	mm
ID	13/16	20.64
OD	2 3/8	60.33
LG	1 7/32	30.96
OD<	1	25.40



Herramienta: Utiliza: 4
 Diagrama: Relacionado:
 Modelo:
 Año:

OEM# 1697732

Buje para Barra de Torsión

Torque Rod Bushing

31016 **A4**

	Inch	mm
ID	2 1/16	52.39
OD	3 19/32	91.28
LG	3 11/32	84.93



Herramienta: 18835 Utiliza: 8
 Diagrama: Relacionado: 31000
 Modelo:
 Año:

OEM# 1135 080

Buje para Barra Estabilizadora

Sway Bar Bushing

31051 **A4**

	Inch	mm
ID	1 3/4	44.45
LG	2 3/8	60.33



Herramienta: Utiliza: 4
 Diagrama: Relacionado: 12320
 Modelo:
 Año:

OEM# MP710903

Buje para Barra Estabilizadora

Sway Bar Bushing

31057 **B**

	Inch	mm
ID	13/16	20.64
OD	2 9/32	57.94
LG	1 1/32	26.19



Herramienta: Utiliza: 2
 Diagrama: Relacionado: 12320
 Modelo:
 Año:

OEM#

Buje para Barra Angular

V-Stay Bushing

31087 **A3**

	Inch	mm
OD	2 15/16	74.61
HO	43/64	17.07
LGC-C	5 1/8	130.18



Herramienta: Utiliza: 4
 Diagrama: DG132 Relacionado: 31092
 Modelo: F10, F12, F16, FL7, FL10/10H, FL12/12H, N10, N12, NL10, NL12
 Año:

OEM# 274070, 3093630, 3093631, 550806

Buje para Barra de Torsión

Torque Rod Bushing

31092 **A4**

	Inch	mm
OD	2 15/16	74.61
HO	3/4	19.05
LGC-C	5 1/8	130.18



Componentes
 1 Pz. 31092 (P) Buje / 1 Qty. 31092 (P) Bushing
 1 Pz. Seguro Truack / 1 Qty. Truack Seeger

Herramienta: Utiliza: 2
 Diagrama: Relacionado: 31087
 Modelo: Multego OC 500/
 Aliado
 Año:

OEM# 000 330 0207

Buje para Barra Angular V-Stay Bushing

31136



	Inch	mm
OD	2 15/16	74.61
HO	3/4	19.05
LG C-C	5 1/8	130.18



Herramienta: Utiliza: 4
Diagrama: Relacionado:
Modelo: Turismo 0350/
Citaro 0350 / Man RH / NL
/ Eurostar Año: 1992 / 2002

OEM# 3302011,
657691, 50033284,
85432206002

Buje para Barra Estabilizadora Sway Bar Bushing

31594



	Inch	mm
ID	1 19/32	40.48
LG	2 11/32	59.53



Herramienta: Utiliza: 4
Diagrama: Relacionado: 12320
Modelo: Año:

OEM# 16-17228-000

Buje para Barra Estabilizadora Sway Bar Bushing

32005



	Inch	mm
ID	2	50.80
LG	3 7/8	98.43
H	3 5/32	80.17



Herramienta: Utiliza: 4
Diagrama: Relacionado: 32028,
32037
Modelo: Año:

OEM# 0 295 751, 0295751

Buje para Barra de Torsión Torque Rod Bushing

32007



	Inch	mm
OD	3 5/16	84.14
HO	3/4	19.05
LG C-C	5 1/8	130.18



Herramienta: Utiliza: 4
Diagrama: Relacionado: 31000
Modelo: Irizar PB / BUS SERIE 3:
K93/113, L113, BUS SERIE 4: 4X2
EB/1B/UB, 6X2 EB/1B/UB, 6X2/2
UA, 6X2*4 EB/1B/UB, 6X21B/LION'S
CLASSIC / F90 / F2000 Año: 1987-1999 /
1994-2010

OEM# 1104335, 638862,
639287, 1953248, 273373,
274019

Buje para Barra de Torsión Torque Rod Bushing

32008



	Inch	mm
OD	3 23/32	94.46
HO	15/16	23.81
LG C-C	6	152.40



Herramienta: Utiliza: 4
Diagrama: Relacionado: 31000
Modelo: F10, F12, F16, FL7, FL10/
10H, FL12/12H, N10, N12, N110, N112,
18.310/350/370/400/420/460 HO-
CL/R, 18.310/313/350/370/400/420
HOCL/R-SKD, 24.350/400 HOCLN Año: 1985-2009

OEM# 81.43270.6079,
81432706079, 274056,
276192

Kit Reparación para Barra Angular V-Stay Repair Kit

32009



	Inch	mm
OD	3 9/16	90.49
LG	2 27/32	72.23
HO	7/8	22.23
BOLT	3/4-16 UNF	

Componentes

1 Pz. Seguro Truack 10-100-0700 / 1 Qty. Truack Seeger
10-100-0700
1 Pz. 32009 EP Rótula / 1 Qty. 32009 EP Ball and Socket Joint
2 Pzs. 32009 EM Cubre Polvo / 2 Qty. 32009 EM Dust Covers
2 Pzs. 32009 RM Arandelas / 2 Qty. 32009 RM Washer
1 Pz. 32009 GA Tapa de Goma / 1 Qty. 32009 GA Rubber Cover



Herramienta: Utiliza: 2
Diagrama: Relacionado: 31000
Modelo: FH, FH12, FH16, FL6/
180/205G/220/250/626, FM7,
FM9, FM10, FM12, FM12H, NH12 Año:

OEM# 274069, 3090712

Soporte para Radiador Radiator Mount

12343



	Inch	mm
ID	3/8	9.53
OD	2	50.80
LG	1 5/8	41.28

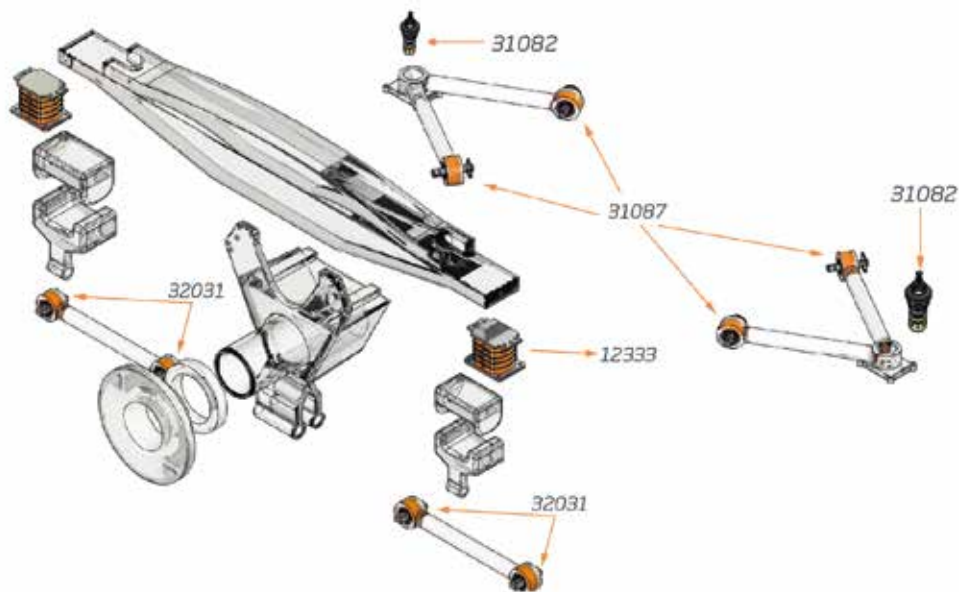


Herramienta: Utiliza: 2
Diagrama: Relacionado:
Modelo: Multego OC 500
Año: 2005-2007

OEM#

T-Ride

DG132



Códigos GAFF 12333, 31082, 31087, 32031

Soporte para Cabina Cab Mount

12340



	Inch	mm
ID	23/32	18.26
OD	2 11/16	68.26
LG	4 5/16	109.54



Herramienta: 40030 Utiliza: 2
Diagrama: Relacionado: 12344, 31108, 31109, 31110, 31103
Modelo: VNL 630
Año: 2008

OEM# 8074666

Soporte para Cabina Cab Mount

12344



	Inch	mm
LG	3 11/16	93.66
H	4	101.60
HO	7/16	11.11
LG C-C	3 11/32	84.93



Herramienta: Utiliza: 1
Diagrama: Relacionado: 12340, 31108, 31109, 31110, 31103
Modelo: VNL 630
Año: 2008

OEM# 20769319

Barra de Torsión para Cabina Torque Rod Cab

31103



	Inch	mm
ID	1 3/16	30.16
LG C-C	18 27/32	478.63



Herramienta: Utiliza: 2
Diagrama: Relacionado: 12340, 12344, 12344, 31109, 31110
Modelo: VNL 630
Año:

OEM# 20704332

Buje para Barra de Torsión de Cabina Torque Rod Bushing Cab

31108



	Inch	mm
ID	9/16	14.29
OD	1 5/16	33.34
LG	1 29/32	48.42



Herramienta: Utiliza: 2
Diagrama: Relacionado: 12340, 12344, 12344, 31110, 31103
Modelo: VNL 630
Año: 2008

OEM#

Buje para Barra de Torsión de Cabina Torque Rod Bushing Cab

31109



	Inch	mm
ID	9/16	14.29
OD	1 5/16	33.34
LG	2 5/8	66.68



Herramienta: Utiliza: 2
Diagrama: Relacionado: 12340, 12344, 12344, 31110, 31103
Modelo: VNL 630
Año: 2008

OEM#

Kit Barra de Torsión para Cabina Torque Rod Cab Kit

31110



	Inch	mm
LG C-C	18 27/32	478.63

Componentes

- 1 Pz. 31103 Barra de Torsión para Cabina / 1 Qty. 31103 Cab Torque Rod
- 1 Pz. 31108 Buje para Barra de Torsión / 1 Qty. 31108 Torque Rod Bushing
- 1 Pz. 31109 Buje para Barra de Torsión / 1 Qty. 31109 Torque Rod Bushing



Herramienta: Utiliza: 2
Diagrama: Relacionado: 12340, 12344, 12344, 31109, 31103
Modelo: VNL 630
Año: 2007-2011

OEM# 20704332

Buje para Bisagra de Cofre Hood Hinge Bushing

31141



	Inch	mm
ID	1	25.40
OD	2 7/16	61.91
LG	3 1/32	24.61



Herramienta: Utiliza: 2
Diagrama: Relacionado: 12340, 12344, 12344, 31109, 31110
Modelo: VNL
Año:

OEM# 20499003 Izquierda, 20499004 Derecha

Empaque para Tapón de Tanque Diésel Fuel Tank Cap Gasket

31125



	Inch	mm
ID	2 3/8	60.33
OD	3	76.20
TK	3/32	2.38



Herramienta: Utiliza: 1
Diagrama: Relacionado: 31081
Modelo: Series VNL
Año: 2008-2013

OEM# 20511587

Cabina

Cofre

Empaque

Escape

Motor

Suspension

Soporte para Escape Exhaust Mount

12357



A2

	Inch	mm
ID	13/32	10.32
OD	1 5/16	33.34

Componentes

1 Pz. Soporte Superior para Escape / 1 Qty. Upper Exhaust Mount
1 Pz. Soporte Inferior para Escape / 1 Qty. Lower Exhaust Mount



Herramienta: Utiliza: 2
Diagrama: Relacionado: 11809, 11810
Modelo: 330 / 335 / 367 / 377 / 378 / 379 / 386 / 387 / 389 / 579 / 587
Año:

OEM#14-14656

Soporte para Motor Motor Mount

10075



A1

	Inch	mm
ID	1 1/2	38.10
OD	3	76.20
LG	3	76.20



Herramienta: 10081 Utiliza: 2
Diagrama: Relacionado: 10020, 12301, 12301, 12305
Modelo: F6 / F7 / F8 / W900
Año:

OEM# 507569C91, 503579C1, 503837C1, 12004-0007, 8077380

Soporte Trasero para Motor Motor Mount, Rear

12301



B

	Inch	mm
ID	5/8	15.88
LG	6 1/4	158.75
WD	3	76.20
H	1 1/4	31.75
HO	5/8	15.88
LG C-C	3	76.20



Herramienta: Utiliza: 2
Diagrama: Relacionado: 12304
Modelo: White
Año:

OEM#04-9009997

Soporte para Motor Motor Mount

12304



A4

	Inch	mm
LG	10	254.00
H	2 3/32	53.18
HO	5/8	15.88
LG C-C	4	101.60



Herramienta: Utiliza: 2
Diagrama: Relacionado:
Modelo: VNL / VNM
Año:

OEM#12005-3207, 12005-0001

Soporte Delantero para Motor Motor Mount, Front

12305



A4

	Inch	mm
ID	21/32	16.67
OD	2 13/16	71.44
LG	1 1/32	26.19
OD <	2 3/8	60.33



Herramienta: Utiliza: 2
Diagrama: Relacionado:
Modelo: White
Año:

OEM#12005-0002, 12005-3208, 3081659

Soporte para Motor Motor Mount

12326



A6

	Inch	mm
LG	9 1/2	241.30
WD	6 1/4	158.75
H	4 11/32	110.33
LG C-C	8 9/32	210.34



Herramienta: Utiliza: 1
Diagrama: Relacionado: 18067
Modelo: FM12 / FM10 / FH16 / FH12 / FH10 / F10 / F7
Año:

OEM#1622825, 20503551, 20503550

Soporte Trasero para Motor Motor Mount, Rear

31113



A6

	Inch	mm
LG	3 3/8	85.73
WD	2 5/32	54.77
H	3 9/16	90.49
LG C-C	2 1/4	57.15
BOLT	M20X2.5	



Herramienta: Utiliza: 2
Diagrama: Relacionado: 12326
Modelo: VNL
Año: 2007

OEM#J-26041-7

Kit Barra de Torsión Torque Rod Kit

12042



B

	Inch	mm
LGC-C	26	660.40
THR	1 1/4-12 UNF	
THD	1 1/4-12 UNF	
BOLT	5/8-18 UNF	

Componentes

1 Pz. 13590 Barra de Torsión / 1 Qty. 13590 Torque Rod
1 Pz. 13520 Bujes para Barra de Torsión / 1 Qty. 13520 Torque Rod Bushing
1 Pz. 12031 Bujes para Barra de Torsión / 1 Qty. 12031 Torque Rod Bushing



Herramienta: Utiliza: 2
Diagrama: Relacionado: 13590, 13520, 13520
Modelo: VNL / VNM / NL
Año:

OEM#35801-5018

Kit Barra de Torsión Torque Rod Kit

12044



	Inch	mm
LGC-C	26	660.40

Componentes

- 1 Pz. 13590 Barra de Torsión / 1 Qty. 13590 Torque Rod
- 2 Pzs. 13520 Buje para Barra de Torsión / 2 Qty. 13520 Torque Rod Bushing



Herramienta: Utiliza: 2
Diagrama: Relacionado: 13590,
Modelo: VNL / VNM / NL 13520, 13520
Año:

OEM# 35801-5012

Soporte para Sobre Carga Bolster Spring

12333



	Inch	mm
LG	8 1/4	209.55
WD	5 7/8	149.23
H	5 29/32	150.02
HO	9/16	14.29
LGC-C	6 5/16	160.34



Herramienta: Utiliza: 4
Diagrama: DG132 Relacionado: 31082,
Modelo: T-Ripara 31087, 31087, 32031
Año: 2003

OEM# 1629553, 3090971,
1089501, 20390836

Buje para Muelle Spring Bushing

12348



	Inch	mm
ID	7/8	22.23
OD	2 13/32	61.12
LG	4 5/8	117.48



Herramienta: Utiliza: 2
Diagrama: Relacionado: 12338
Modelo: VNL 630
Año: 2008

OEM# 20733583

Buje para Barra de Torsión Torque Rod Bushing

13522



	Inch	mm
OD	2 17/32	64.29
HO	21/32	16.67
LGC-C	4 3/8	111.13



Herramienta: 18553 / Utiliza: 4
18833 / 40131 Año:
Diagrama: DG097, DG098, Relacionado: 13518,
DG128, DG130, DG131 13520, 13520, 11714
Modelo: Airleaf / Air Trac
Single / Air Ripara

OEM# 151087-148, 44694,
44694-000L, 1693060C1,
16888-227710, 02-27710,
227710, 8079894

Barra de Torsión Ajustable Torque Rod Assembly

13590



	Inch	mm
ID	2 3/4	69.85
LGC-C	26	660.40



Herramienta: Utiliza: 2
Diagrama: Relacionado: 13520,
Modelo: 12031, 12031, 12044
Año:

OEM# IPC928661

Kit Barra de Torsión Torque Rod Kit

13733



	Inch	mm
LGC-C	24 1/4	615.95
THR	1 1/4-12 UNF	
THD	1 1/4-12 UNF	
BOLT	5/8-18 UNF	

Componentes

- 1 Pz. 13737 Barra de Torsión / 1 Qty. 13737 Torque Rod
- 1 Pz. 13520 Buje para Barra de Torsión / 1 Qty. 13520 Torque Rod Bushing
- 1 Pz. 13518 Buje para Barra de Torsión / 1 Qty. 13518 Torque Rod Bushing



Herramienta: Utiliza: 2
Diagrama: Relacionado: 13520
Modelo: Primaax
Año:

OEM# 62350-615

Buje para Muñón Trunnion Bushing

14012



	Inch	mm
ID	4	101.60
OD	5	127.00
LG	9	228.60



Herramienta: Utiliza: 4
Diagrama: DG063 Relacionado: 14027
Modelo:
Año:

OEM# 890-00

Buje para Barra de Torsión Torque Rod Bushing

15013



	Inch	mm
ID	7/8	22.23
OD	1 15/16	49.21
LG	3	76.20



Herramienta: 18836 / Utiliza: 8
40124 / 50049 Año:
Diagrama: DG107, DG108, Relacionado: 14026,
DG109, DG110, DG111, DG114, 14031, 14031, 14002
DG115, DG118, DG119, DG131
Modelo: Series 73 / Series 79KB / Series 83 / Series
86AR / Series TRANSPRO 86 / 88 / Series 102AR /
Series 240AR / Series 101A

OEM# 09729-01

Buje para Amortiguador 18010

Shock Absorber Bushing A2

	Inch	mm
ID	3/4	19.05
OD	1 1/2	38.10
LG	15/16	23.81
OD<	1 3/16	30.16



Herramienta: Utiliza: 4
 Diagrama: DG129 Relacionado: 18599
 Modelo: Series WG / WCA / WIA / WHR / WHL / WHE Año:

OEM# R307528, 5316702, V8057131, 140149

Albardón 18599

Shackle Side Bar B

	Inch	mm
LG	6 5/16	160.34
WD	2	50.80
HO	1 1/8	28.58
TK	1	25.40
LGC-C	3 11/16	93.66



Herramienta: Utiliza: 4
 Diagrama: DG129 Relacionado: 18598, 18600, 18600, 18602
 Modelo: Año:

OEM# 371050006

Kit Barra de Torsión 18860

Torque Rod Kit A4

LGC-C	22 1/8	561.98
-------	--------	--------

Componentes

1 Pz. 18859 Barra de Torsión / 1 Qty. 18859 Torque Rod
 2 Pzs. 13520 Buje para Barra de Torsión / 2 Qty. 13520 Torque Rod Bushing



Herramienta: Utiliza: 2
 Diagrama: Relacionado: 13520, 18859, 18859
 Modelo: VNL Año:

OEM# 3187322, TR96-10000

Kit Reparación para Barra Angular 31082

V-Stay Repair Kit B

	Inch	mm
ID	1 7/16	36.51
OD	2 13/16	71.44
LG	1 25/32	45.24
THR	M20X1.5	
BOLT	M14X1.5	

Componentes

1 Pz. Seguro Truack 10-100-0700 / 1 Qty. Truack Seeger 10-100-0700
 1 Pz. Rótula / 1 Qty. Ball and Socket Joint
 1 Pz. Tornillo / 1 Qty. Bolt
 2 Pzs. Arandelas / 2 Qty. Washer
 2 Pzs. Cubre Polvo / 2 Qty. Dust Covers
 1 Pz. Arandelas de Presión / 1 Qty. Spring Washer



Herramienta: Utiliza: 1
 Diagrama: DG132 Relacionado: 31000
 Modelo: Año:

OEM# 6889512, 271188

Buje para Barra de Torsión 31093

Torque Rod Bushing A6

	Inch	mm
OD	3 19/32	91.28
HO	2 1/32	16.67
LGC-C	4 17/32	115.09



Herramienta: Utiliza: 4
 Diagrama: Relacionado: 13522
 Modelo: NH-98 / VL40.2351 Año:

OEM# 8152450, 1620750

Buje para Muelle 31129

Spring Bushing B

	Inch	mm
ID	7/8	22.23
OD	2 17/32	64.29
LG	3 17/32	89.69



Herramienta: Utiliza: 2
 Diagrama: Relacionado: 12348, 31134, 31134
 Modelo: VNL 880 Año:

OEM# 20830479

Buje Delantero para Muelle 31134

Spring Bushing Front A6

	Inch	mm
ID	25/32	19.84
OD	2 1/4	57.15
LG	4 1/4	107.95



Herramienta: Utiliza: 2
 Diagrama: Relacionado: 31129
 Modelo: VNL Año: 2005-2009

OEM# 6803220150

Buje para Barra Angular 31135

V-Stay Bushing B

	Inch	mm
OD	2 15/16	74.61
HO	43/64	17.07
LG C-C	3 17/32	89.69



Herramienta: Utiliza: 4
 Diagrama: Relacionado:
 Modelo: Volvo FM, Volvo Año: 1993-2008

OEM# 31135: 3093630, 20840815, 20840814

Kit Barra de Torsión Torque Rod Kit

31137



LGC-C *Inch* *mm*
22 1/8 561.98

Componentes

1 Pz. 31138 Barra de Torsión / 1 Qty. 31138 Torque Rod
2 Pzs. 13677 Buje para Barra de Torsión / 2 Qty. 13677 Torque Rod Bushing
2 Pzs. HV00032 Cubre Polvo / 2 Qty. HV00032 Cover Dust
2 Pzs. HV00049 Grasera / 2 Qty. HV00049 Oil Pivot



Herramienta: Utiliza: 2
Diagrama: Relacionado: 31138
Modelo: VNL 780
Año: 2015 - 2016

OEM# 3187322,
358010068, 8071513,
20396154, 20434482

Buje para Barra de Torsión Torque Rod Bushing

32031



OD *Inch* *mm*
HO 215/16 74.61
LGC-C 21/32 16.67
4 17/32 115.09



Herramienta: Utiliza: 4
Diagrama: DG132 Relacionado: 32058
Modelo:
Año:

OEM# 550806, 1112506

Buje para Barra de Torsión Torque Rod Bushing

32088



OD *Inch* *mm*
HO 311/32 84.93
LGC-C 3/4 19.05
5 1/8 130.18

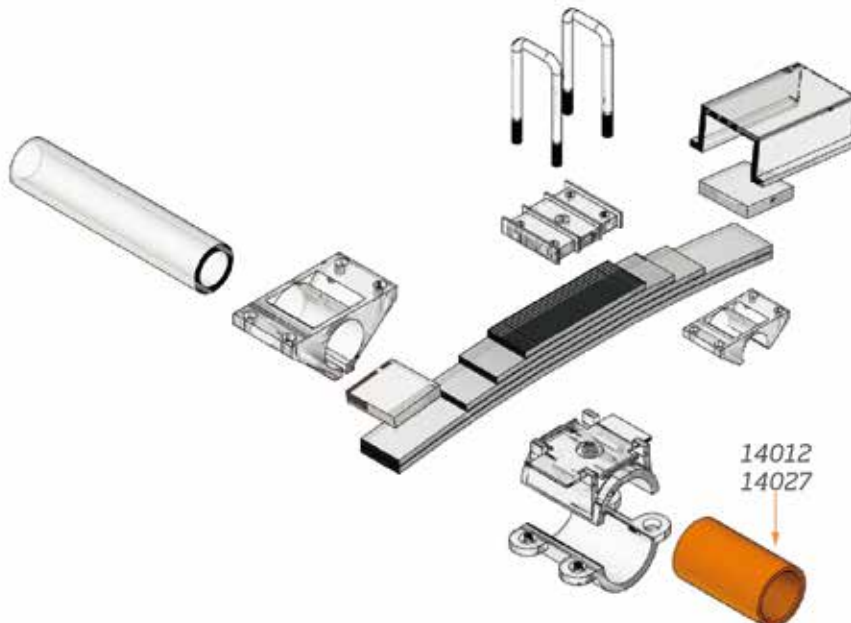


Herramienta: Utiliza: 4
Diagrama: Relacionado: 31135
Modelo: KERAX / FH / FH12 / FH16 / FL6 / 180, 205G, 220, 250, 626 / FM / FM9 / FM10 / FM12

OEM# 20840815,
21295230, 3093630,
3093631, 7020840815,
7420840815

Serie H-900

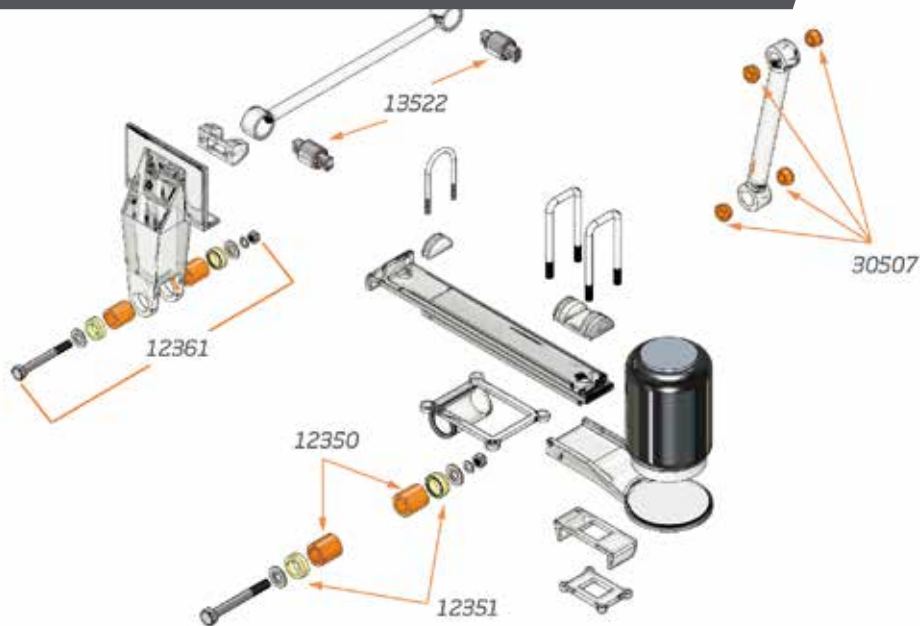
DG063



Códigos GAFF

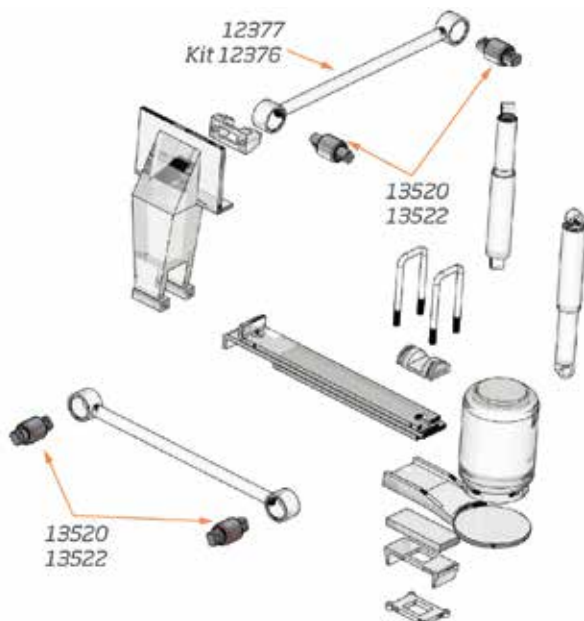
14012, 14027

Air Leaf DG097



Códigos GAFF 12350, 12351, 12361, 13522, 30507

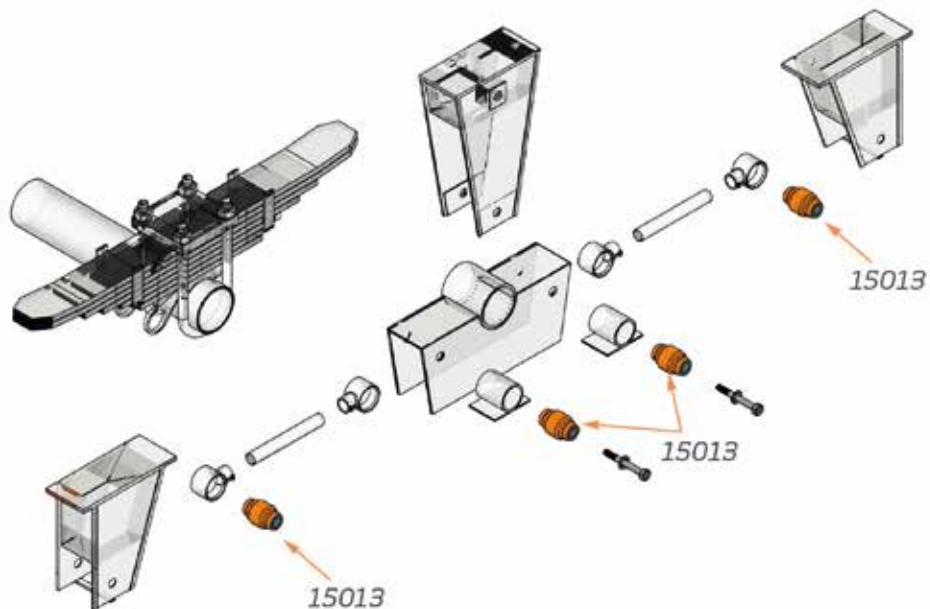
Air Trac Single DG098



Códigos GAFF 12376, 12377, 13520, 13522

Serie 73 de 49"

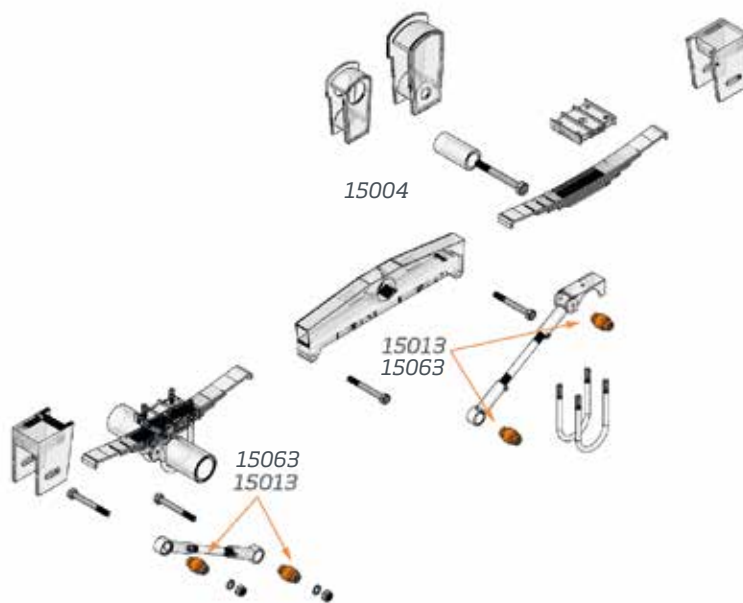
DG107



Códigos GAFF 15013

Serie 73 de 60" / 72"

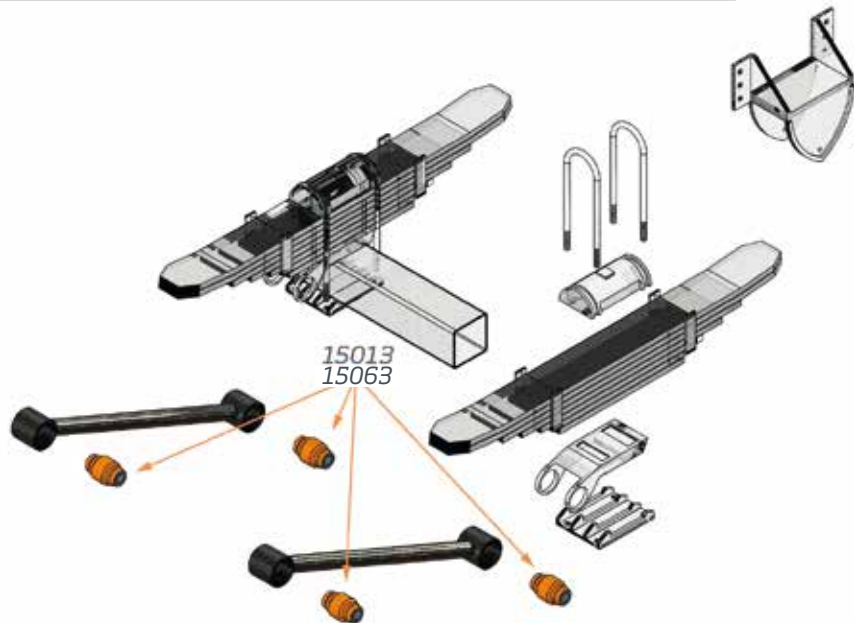
DG108



Códigos GAFF 15004, 15013, 15063

Serie 79KB

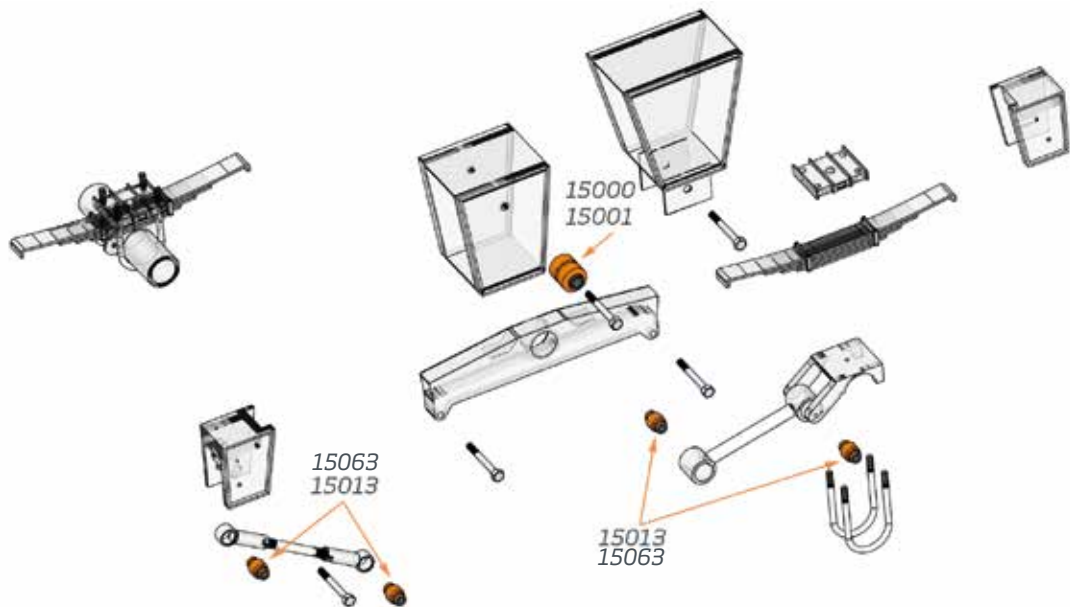
DG109



Códigos GAFF 15013, 15063

Serie 83 de 50" / 54" / 60" / 65 1/2" / 72" / 97" / 109"

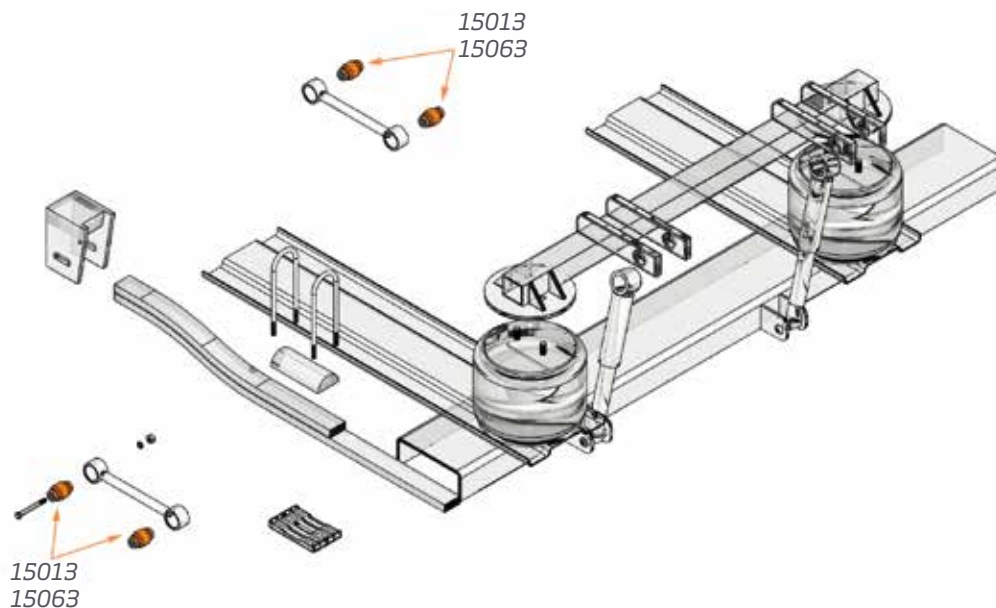
DG110



Códigos GAFF 15000, 15001, 15013, 15063

86AR

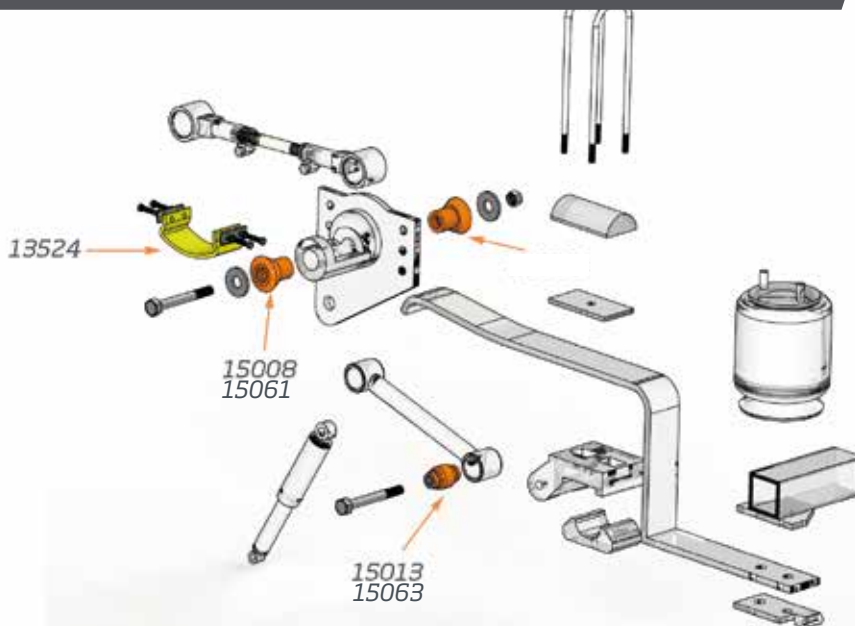
DG111



Códigos GAFF 15013, 15063

102AR

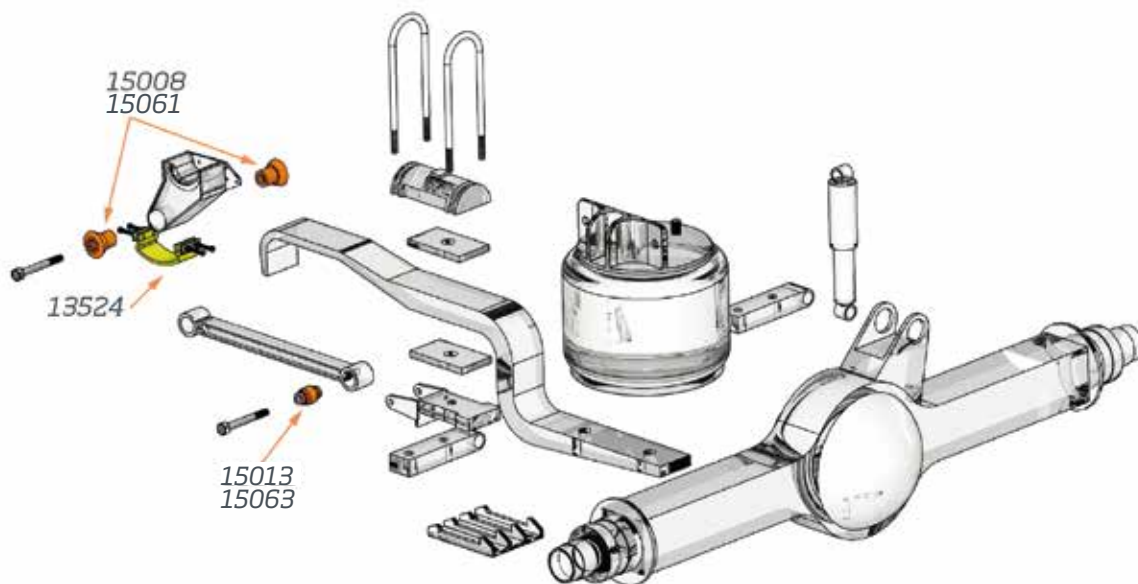
DG114



Códigos GAFF 13524, 15008, 15013, 15061, 15063

240AR

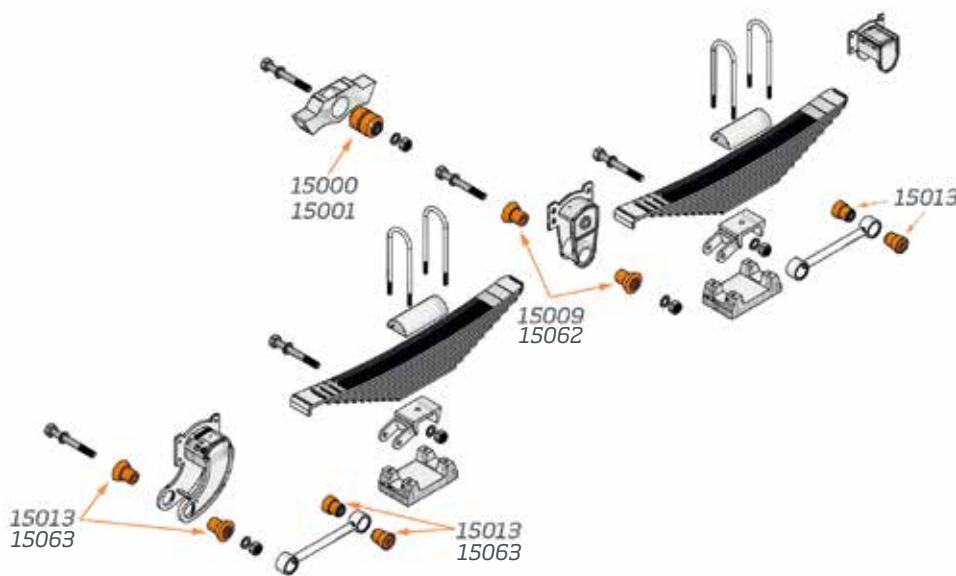
DG115



Códigos GAFF 13524, 15008, 15013, 15061, 15063

Serie 101A

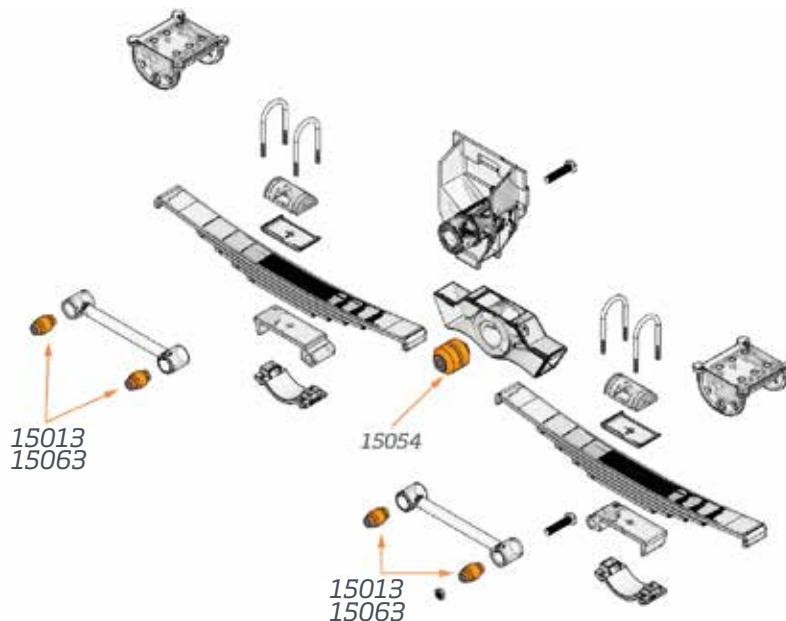
DG118



Códigos GAFF 15000, 15001, 15009, 15013, 15062, 15063

Serie 86 / 88

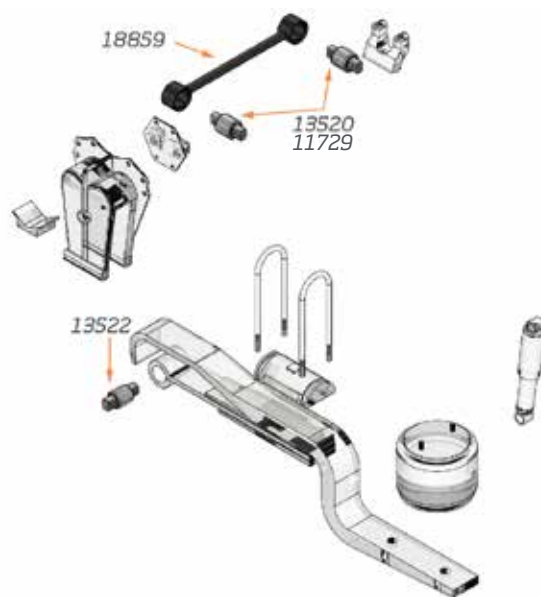
DG119



Códigos GAFF 15013, 15054, 15063

Air Ride

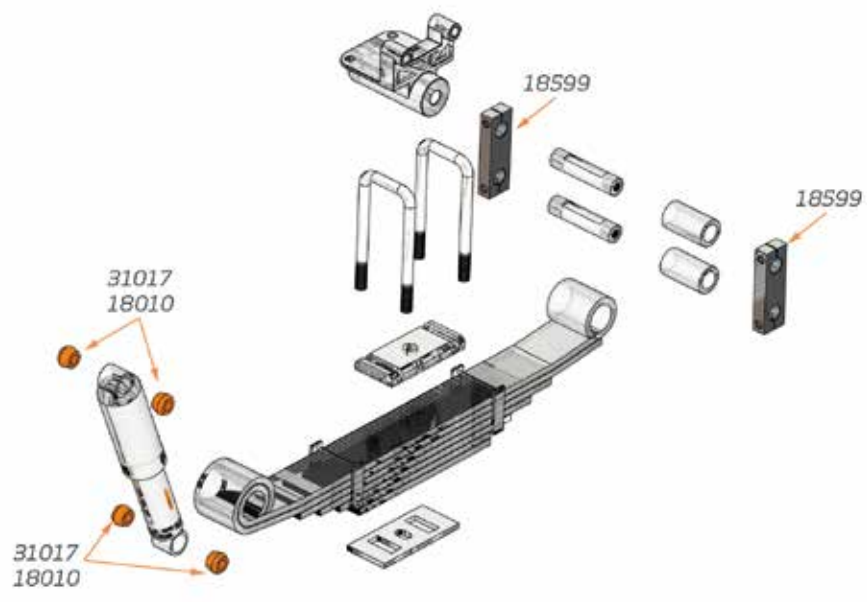
DG128



Códigos GAFF 11729, 13520, 13522, 18859

Series WG / WCA / WIA / WHR / WHL / WHE

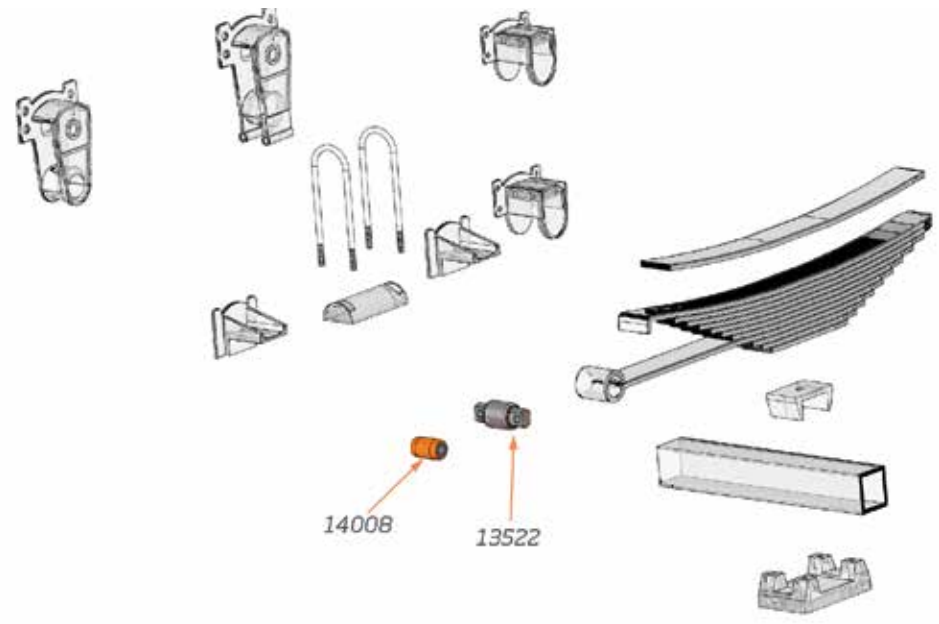
DG129



Códigos GAFF 18010, 18599, 31017

Eje Trasero

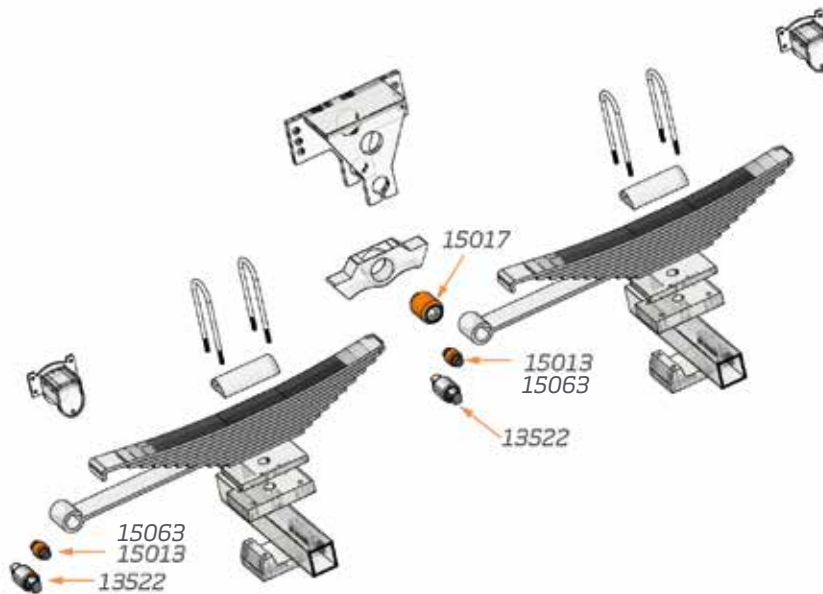
DG130



Códigos GAFF 13522, 14008

4 Muelles

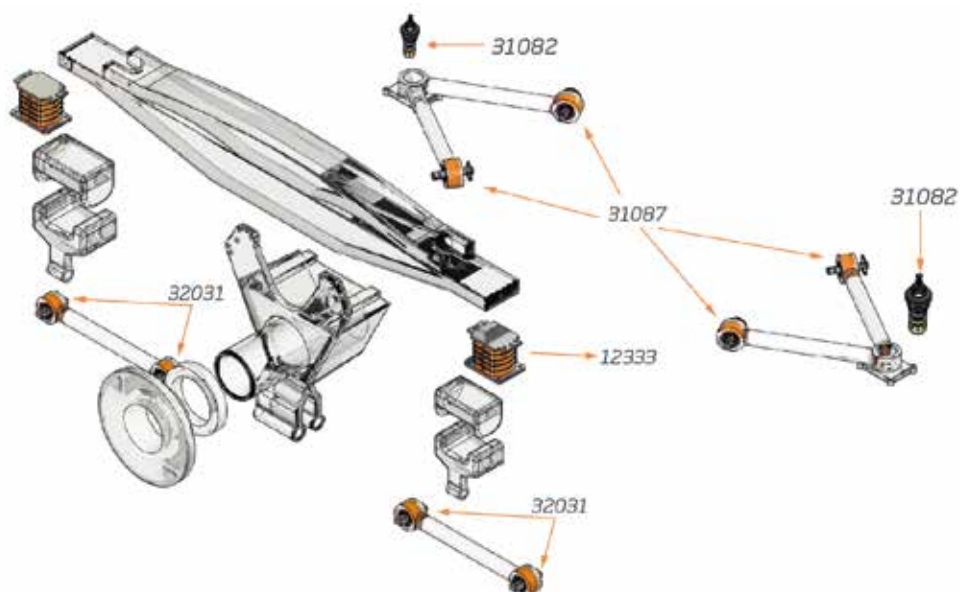
DG131



Códigos GAFF 13522, 15013, 15017, 15063

T-Ride

DG132



Códigos GAFF 12333, 31082, 31087, 32031

Buje para Suspensión de Aire Air Leaf Bushing

11536

✓ A4

	Inch	mm
ID	27/32	21.43
OD	3 11/16	93.66
LG	2 1/2	63.50
OD<	2 1/4	57.15



Herramienta: Utiliza: 2
Diagrama: Relacionado: 11529
Modelo: WCTA-2590-HD
Año:

OEM#

Buje de Pivote Multifuncional Multifunctional Pivot Bushing

11711

* B

	Inch	mm
ID	1 1/2	38.10
OD	5 9/16	141.29
LG	6 3/4	171.45

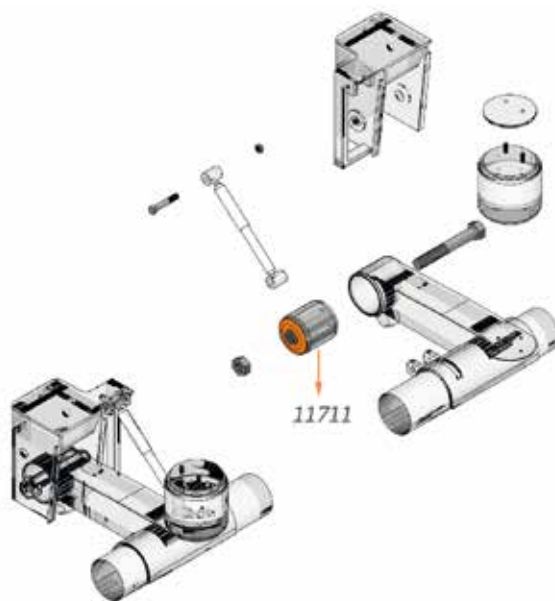


Herramienta: Utiliza: 2
Diagrama: DG122
Modelo:
Año:

OEM# 1117680B060,
WCTA-2590-HD

Serie RAR-240

DG122



Códigos GAFF 11711

Buje para Amortiguador Shock Absorber Bushing

30545



B

	Inch	mm
ID	31/32	24.61
OD	1 15/16	49.21
LG	1 3/32	27.78
OD<	1 7/16	36.51



Herramienta: Utiliza: 8
 Diagrama: Relacionado: 12366
 Modelo:
 Año:

OEM# 37302-3403, E-7529,
 0322, 321-324U1PL 1139

Suspensión

Western Star Truck

Soporte para Cabina Cab Mount

11533



A2

	Inch	mm
ID	5/8	15.88
OD	3	76.20
LG	1 15/16	49.21
OD<	1 13/16	46.04



Herramienta: Utiliza: 4
 Diagrama: Relacionado: 11527,
 11531, 11531, 11612,
 11705, 11707, 11742,
 18938, 18949
 Año:

OEM# K066-336, M602-
 70NR, 04-9009990

Soporte para Cabina Cab Mount

11705



A3

	Inch	mm
ID	5/8	15.88
OD	3	76.20
LG	2 3/8	60.33
OD<	1 13/16	46.04



Herramienta: Utiliza: 4
 Diagrama: Relacionado: 11527,
 11531, 11531, 11533,
 11612, 11707, 11742,
 34515, 34516, 34552
 Año: 2005

OEM# K066-176, 05-14794

Cabina

Soporte para Muelle Spring Mount

31624



A4

	Inch	mm
LG	7 19/32	192.88
WD	5 1/8	130.18
H	5 5/16	134.94
LG C-C	5 29/32	150.02



Herramienta: Utiliza: 2
 Diagrama: Relacionado: 11066
 Modelo: M2&Sterling
 Acterra
 Año:

OEM# A1615773000

Soporte para Radiador Radiator Mount

11522



A3

	Inch	mm
ID	5/8	15.88
OD	2 7/8	73.03
LG	1 1/4	31.75
OD<	1 13/16	46.04



Herramienta: Utiliza: 8
 Diagrama: Relacionado: 12366,
 11804, 11804
 Modelo: Pegaso
 Año:

OEM# J7165-1, 07-03286,
 04-9009996

Suspensión

Temperatura

Suspensión

GF-6000

Innovación para no detenerse



Alineado Normal

Percha fabricada con placa de 1/4" de espesor.

Alineado Rápido

Base integrada para una mejor sujeción de bolsa de aire.

Abrazadera especial para una mayor seguridad en la sujeción del eje.

Viga mejorada y fabricada con placa de 3/8" de espesor que mejora su resistencia.

La **GF-6000** es el resultado de la mejora continua que define a **GAFF** como líder del mercado de recambios. Fabricada con los mejores materiales y altos estándares de calidad, la **GF-6000** es la mejor opción al momento de reemplazar una suspensión dañada ya que ofrece una gran resistencia, un manejo suave y mayor estabilidad, soportando hasta 30,000 lbs (13,600 kgs.) por eje.

Aplicaciones:

- Caja Seca y Refrigerada
- Plataformas
- Volteos
- Tolvas
- Dollies y Semi-Dollies
- Camas Bajas
- Chasis Contenedor
- Tanques

INNO VACIÓN

PARA EL CAMINO

Compatibles con todas las aplicaciones:

- Cabina • Cardán • Cofre • Compresor • Empaque • Escape • Frenos • Herramientas • Motor • Quinta Rueda • Seguridad • Suspensión • Temperatura • Transmisión •

Todos los derechos reservados:

GAFF INTERNATIONAL S.A. DE C.V.

Prohibida su reproducción total ó parcial por cualquier medio sin la autorización previa expresa y por escrito de su titular.